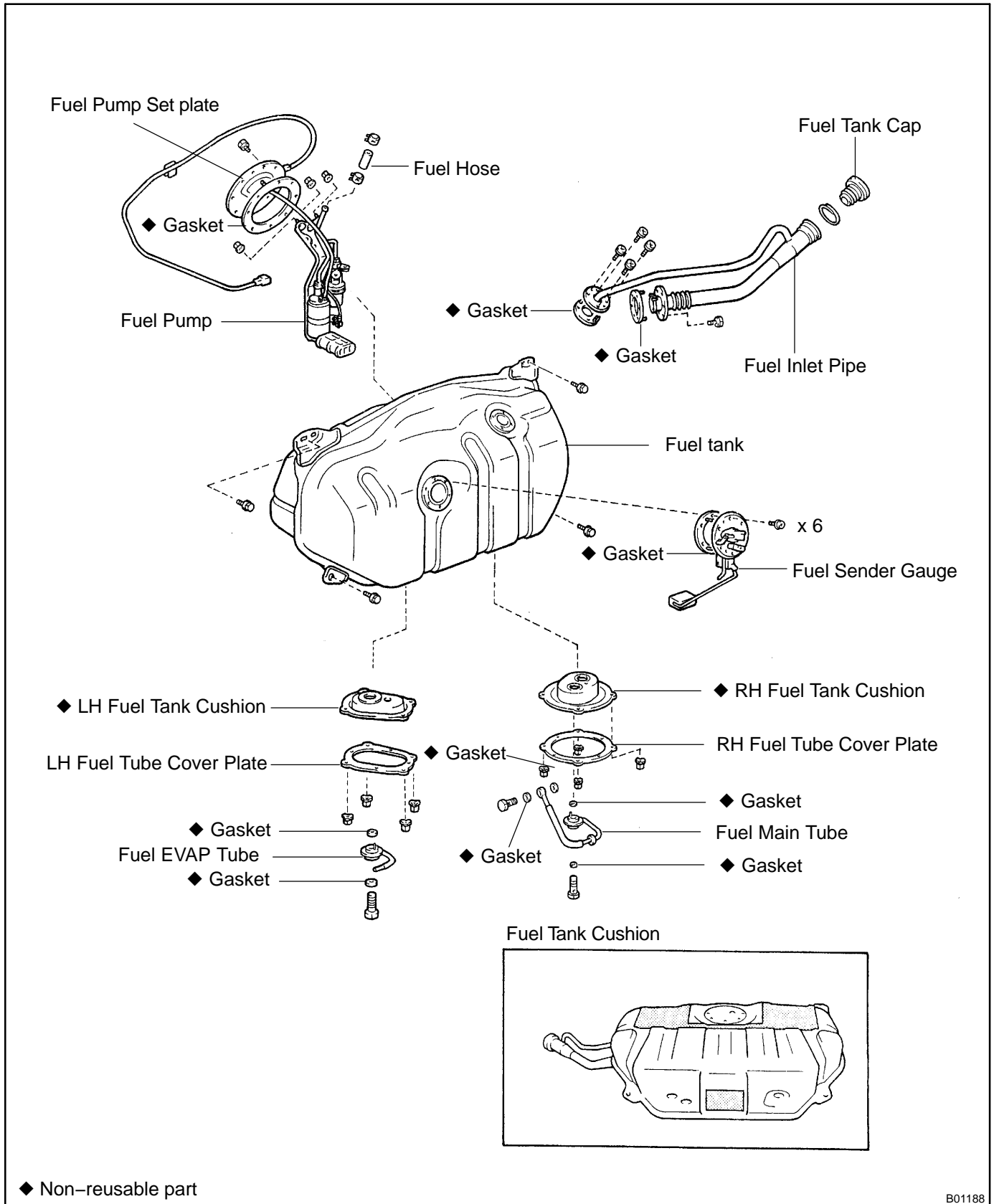


FUEL TANK AND LINE COMPONENTS

SF0F8-01

1. Always use new gaskets when replacing the fuel tank or components part.
2. Apply the proper torque to all parts tightened.



B01188