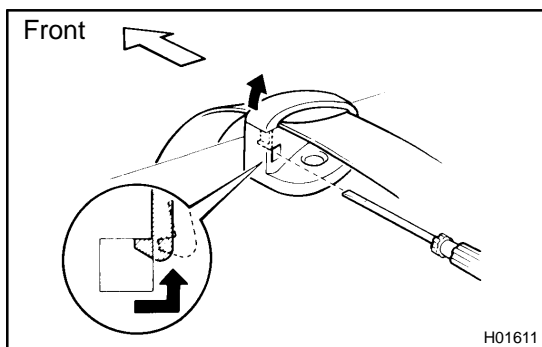


REMOVAL

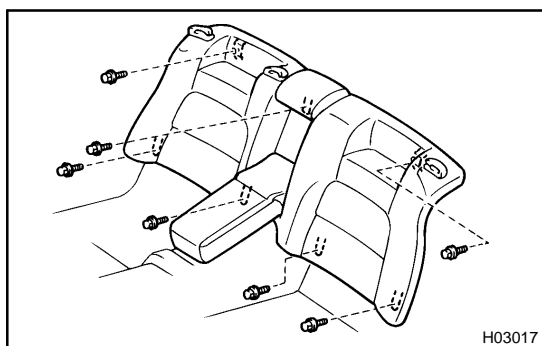
1. REMOVE SEAT CUSHION ASSEMBLY

Remove the seat cushion assembly.



2. REMOVE SEATBACK ASSEMBLY

- (a) Using a screwdriver, remove the rear seat belt from the belt guide as shown in the illustration.
- (b) Remove the LH and RH headrests.



- (c) Remove the 7 bolts, then raise the seatback assembly upward to remove the seatback assembly.
Torque: 18 N·m (185 kgf-cm, 13 ft-lbf)