

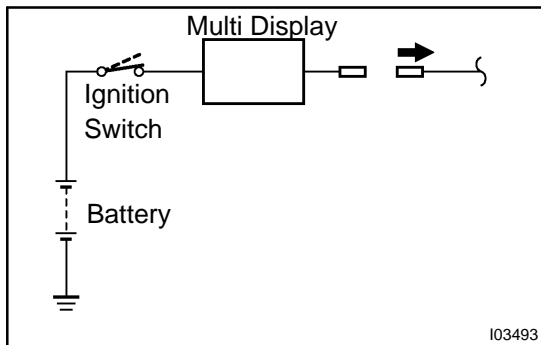
12. INSPECT FUEL SENDER GAUGE VOLTAGE

Measure the voltage between terminals 1 and 2 for each float position.

*1: Set value 270.7 mm (10.66 in.)

Float position	mm (in.)	Voltage (V)
F	Approx. 310.5 (12.22)	Approx. 4.6
1/2	Approx. 172.0 (6.77)	Approx. 2.43
E	Approx. 34.3 (1.35)	Approx. 0.35

If resistance value is not as specified, replace the sender gauge.



13. INSPECT BRAKE PAD SENSOR

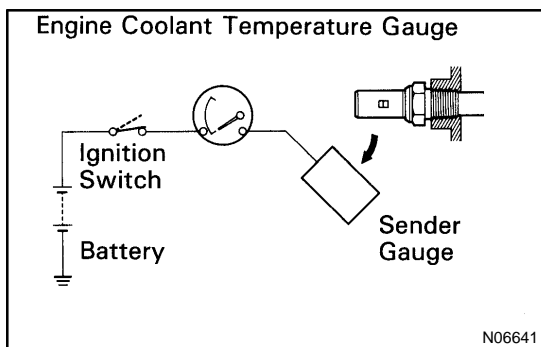
(Front side: See page BR-23)

(Rear side: See page BR-33)

14. INSPECT BRAKE PAD INDICATOR LIGHT

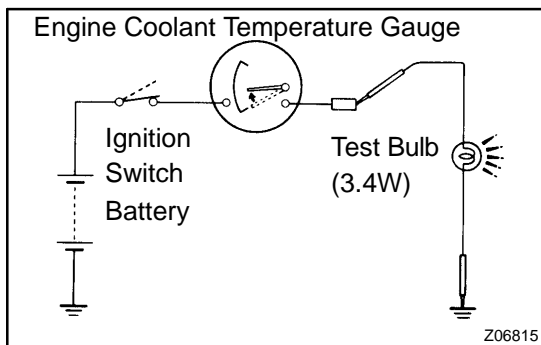
- (a) Disconnect the connector from the brake pad sensor.
- (b) Turn the ignition switch ON, check that the indicator light lights up.

If the indicator light does not light up, test the bulb or inspect wire harness.



15. INSPECT ENGINE COOLANT TEMPERATURE RECEIVER GAUGE OPERATION

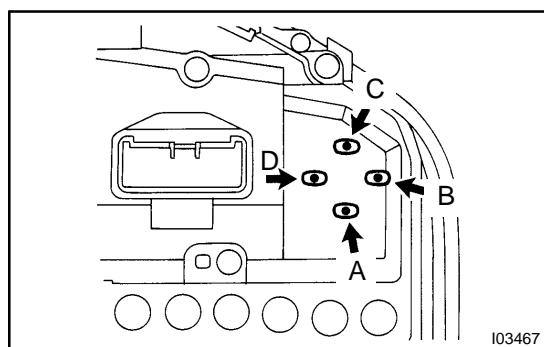
- (a) Disconnect the connector from the sender gauge.
- (b) Turn the ignition switch ON and check that the receiver gauge needle indicates COOL.



- (c) Ground terminal on the wire harness side connector through a 3.4 W test bulb.
- (d) Turn the ignition switch ON and check that the bulb lights up and the receiver gauge needle moves toward the hot side.

Then recheck the system.

If operation is not as specified, measure the receiver gauge resistance.



16. INSPECT ENGINE COOLANT TEMPERATURE RECEIVER GAUGE RESISTANCE

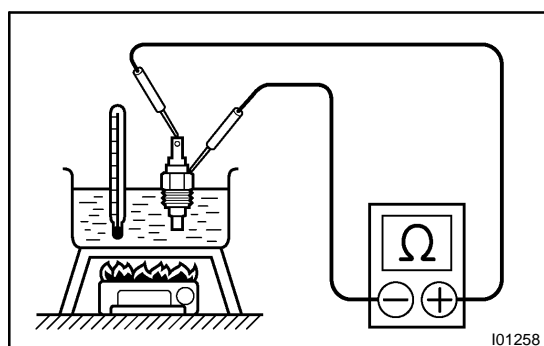
Measure the resistance between terminals.

HINT:

Connect the test leads so the current from the ohmmeter can flow according to the chart order.

Between terminals	Resistance (Ω)
A - B	Approx. 151.8
C - D	Approx. 164.2

If resistance value is not as specified, replace the engine coolant temperature receiver gauge.

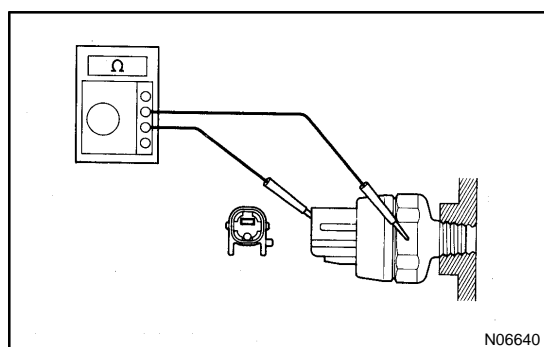


17. INSPECT ENGINE COOLANT TEMPERATURE SENDER GAUGE RESISTANCE

Measure the resistance between the terminal and gauge body.

Temperature $^{\circ}\text{C} (^{\circ}\text{F})$	Resistance (Ω)
50 (122.0)	160 - 240
120 (248.0)	17.1 - 21.2

If resistance value is not as specified, replace the engine coolant temperature sender gauge.



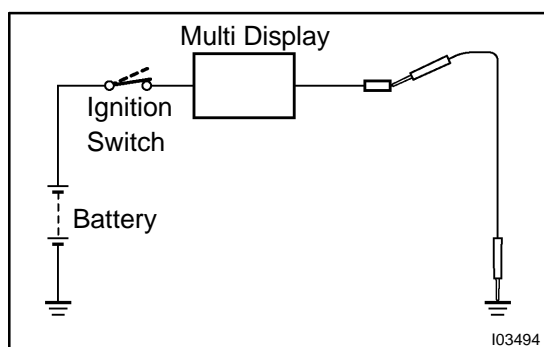
18. INSPECT LOW OIL PRESSURE WARNING SWITCH

- Check that there is continuity between terminal and ground with the engine stopped.
- Check that there is no continuity between terminal and ground with the engine running.

HINT:

Oil pressure should be over 24.5 kPa (0.25 kgf/cm, 3.6 psi).

If operation is not as specified, replace the switch.



19. INSPECT LOW OIL PRESSURE WARNING LIGHT

- Disconnect the connector from the warning switch and ground terminal on the wire harness side connector.
- Turn the ignition switch ON and check that the warning light lights up.

If the warning light does not light up, test the bulb or inspect the wire harness.