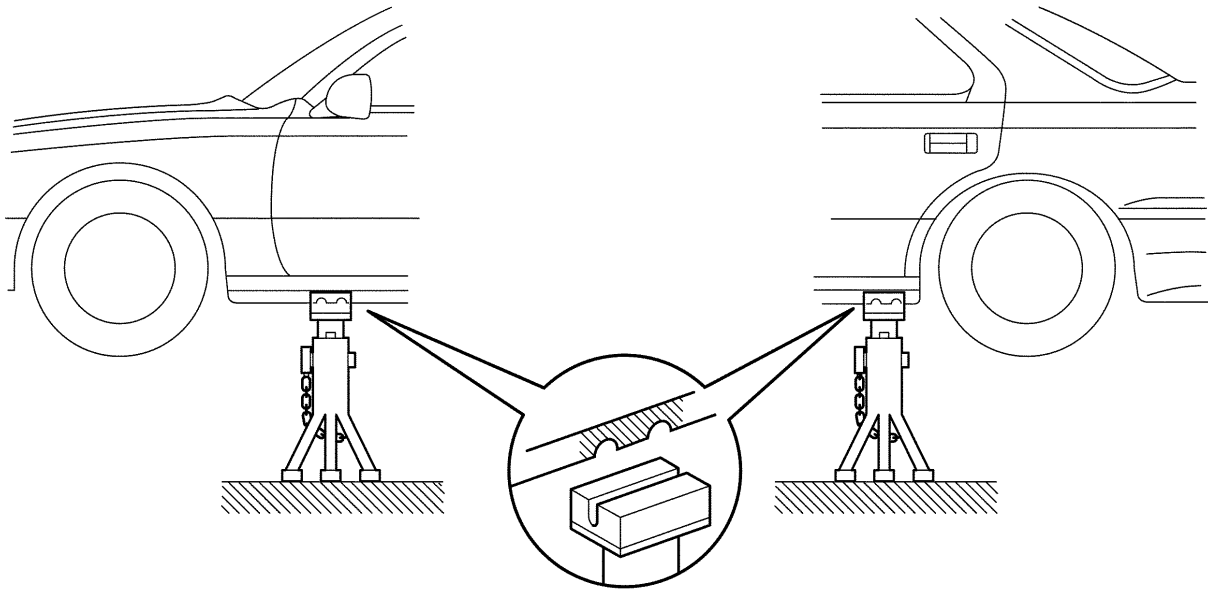
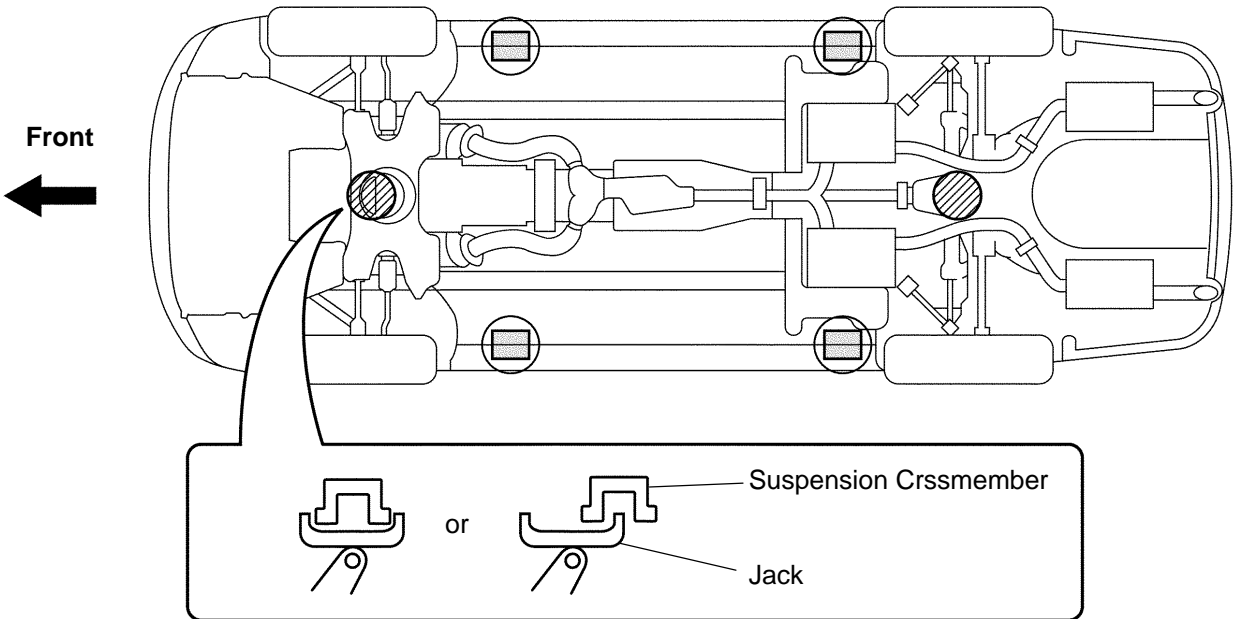


VEHICLE LIFT AND SUPPORT LOCATIONS

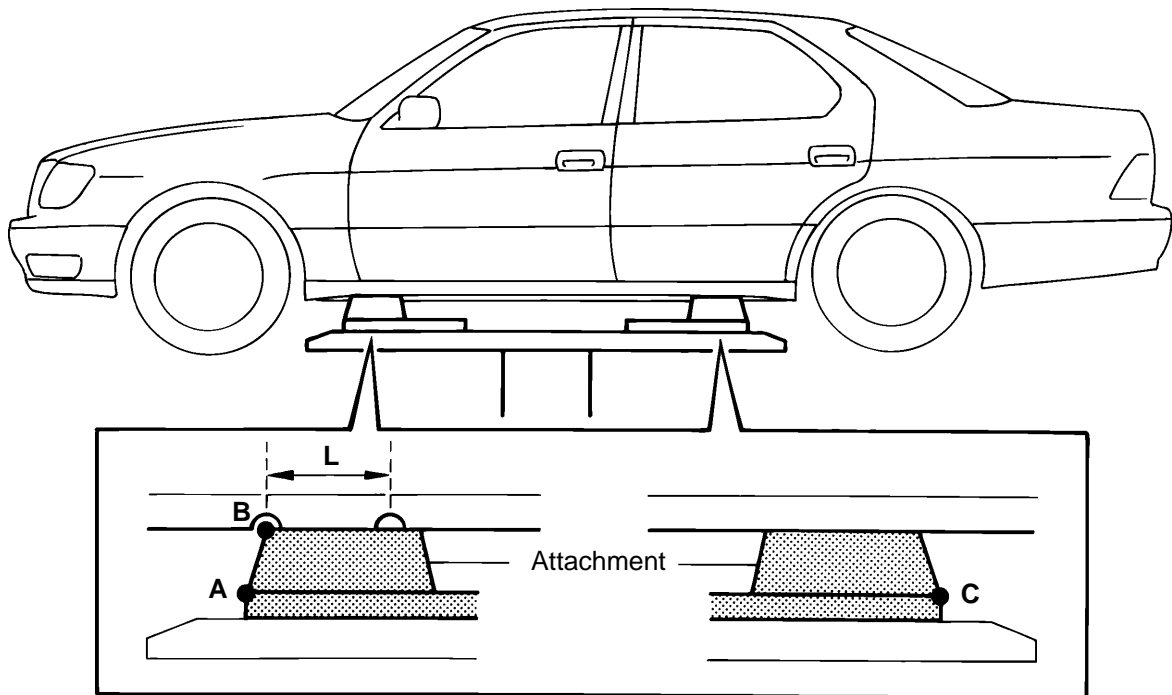


- JACK POSITION** ————— ●
- Front Front Crossmember
- Rear Rear axle beam

- PANTOGRAPH JACK POSITION** ————— ○

- SUPPORT POSITION**
- Safety stand and swing arm type lift ■

PLATE TYPE LIFT

**HINT:**

Left and right set position
Front and rear set position

Place the vehicle over the center of the lift.

- Align the cushioning ends of the plate with the attachment lower ends (A, C).
- Align the attachment upper end (B) with the front Juck supporting point (L).

Attachment dimensions

