

RADIO RECEIVER ASSY REPLACEMENT

67131-01

HINT:

- COMPONENTS: SEE PAGE 71-1.
- LOCATION: SEE PAGE 67-2.
- Installation is in the reverse order of removal.
- Set to "SHIP" mode to prevent mechanical damage due to any impacts when the radio is transported. Attach the label shown below to the top of the product case so as not to skip any procedure and to follow the procedure correctly.

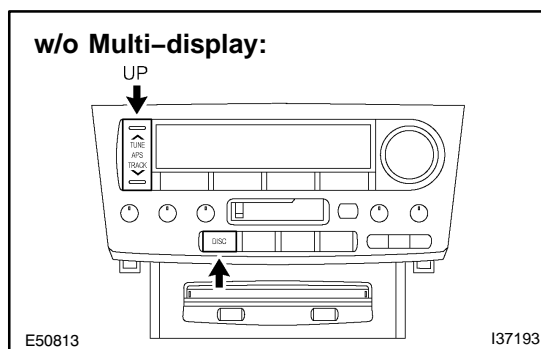
1. SHIP MODE SETTING

- (a) Take out all CDs.

NOTICE:

If the CDs cannot be taken out, do not attempt to take out forcibly. Send the unit for repair.

- (b) Turn the ignition switch to the OFF position.

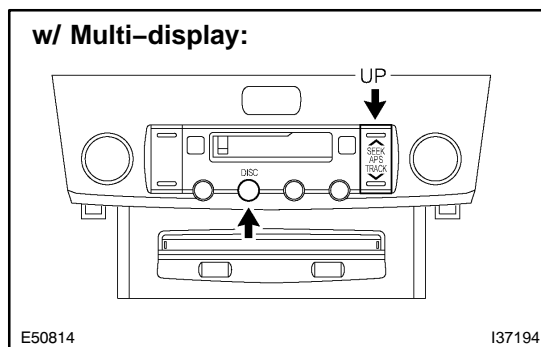


- (c) While holding the "UP" and "DISC" switches, turn the ignition switch to the ACC position.

HINT:

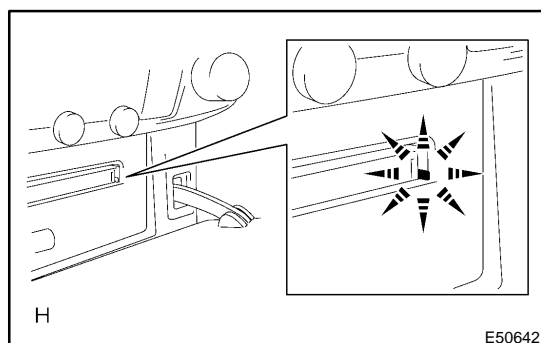
- The CD indicator light blinks during the mode setting and remains lit after the setting is completed.
- w/o Multi-display:
When the mode setting is completed, "SHIP" appears on the display.

- (d) Turn the ignition switch to the OFF position and disconnect the battery negative terminal.

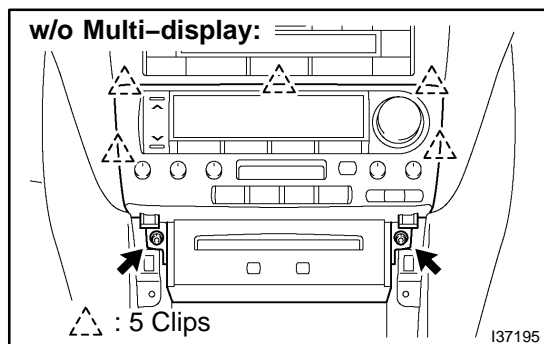


NOTICE:

Connecting the battery negative terminal automatically ends the ship mode.

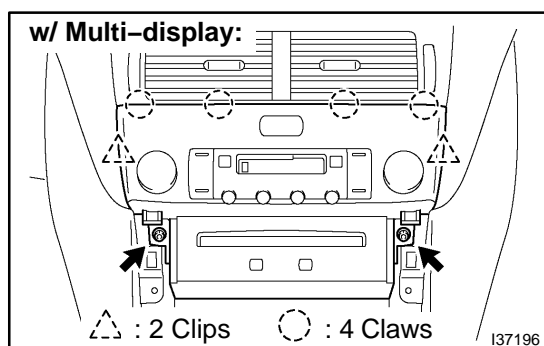


2. REMOVE INSTRUMENT PANEL FINISH PANEL LOWER CENTER (SEE PAGE 71-6)
3. REMOVE PANEL INSTRUMENT CLUSTER FINISH LOWER (SEE PAGE 71-6)

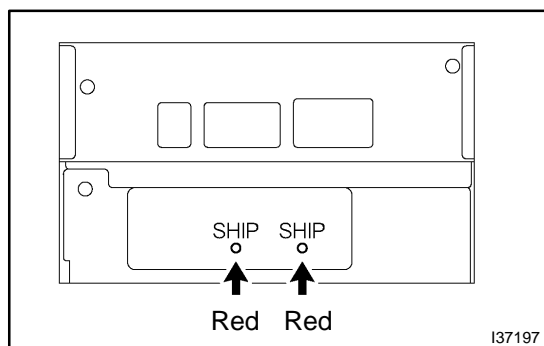


4. REMOVE RADIO RECEIVER ASSEMBLY W/BRACKET

- (a) w/o Multi-display:
Remove the 2 bolts and disengage the 5 clips.



- (b) w/ Multi-display:
Remove the 2 bolts.
- (c) w/ Multi-display:
Disengage the 2 clips and 4 claws.
- (d) Disconnect the connector and remove the radio receiver assembly with bracket.

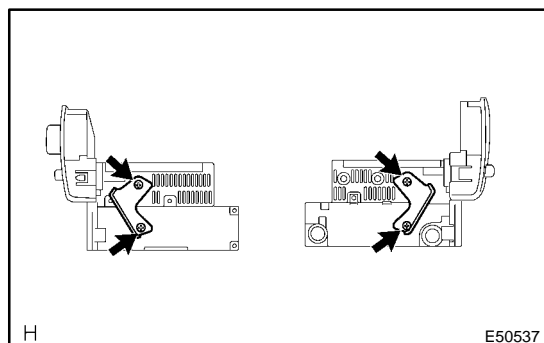


5. SHIP MODE CONFIRMATION

- (a) See the back side of the radio receiver assy and check that the window provided for mode checking is red.

NOTICE:

If the window is not red, perform the ship mode setting again.



6. REMOVE RADIO RECEIVER ASSY

- (a) Remove the 4 screws and 2 brackets from the radio receiver assembly.

7. INSTALL RADIO RECEIVER ASSEMBLY W/BRACKET

- (a) Make sure that the battery negative terminal is disconnected.

NOTICE:

- **Radio receiver with CD changer: If the connector is installed with the battery connected, the system will start initialization.**
 - **Vibration during initialization may cause problems in the radio receiver assy.**
- (b) Connect the connector.
- (c) Install the radio receiver assembly with the 2 bolts.