

**2006 Lexus LS 430**

2006 ACCESSORIES & EQUIPMENT Exterior/Interior Trim - LS430

**2006 ACCESSORIES & EQUIPMENT**

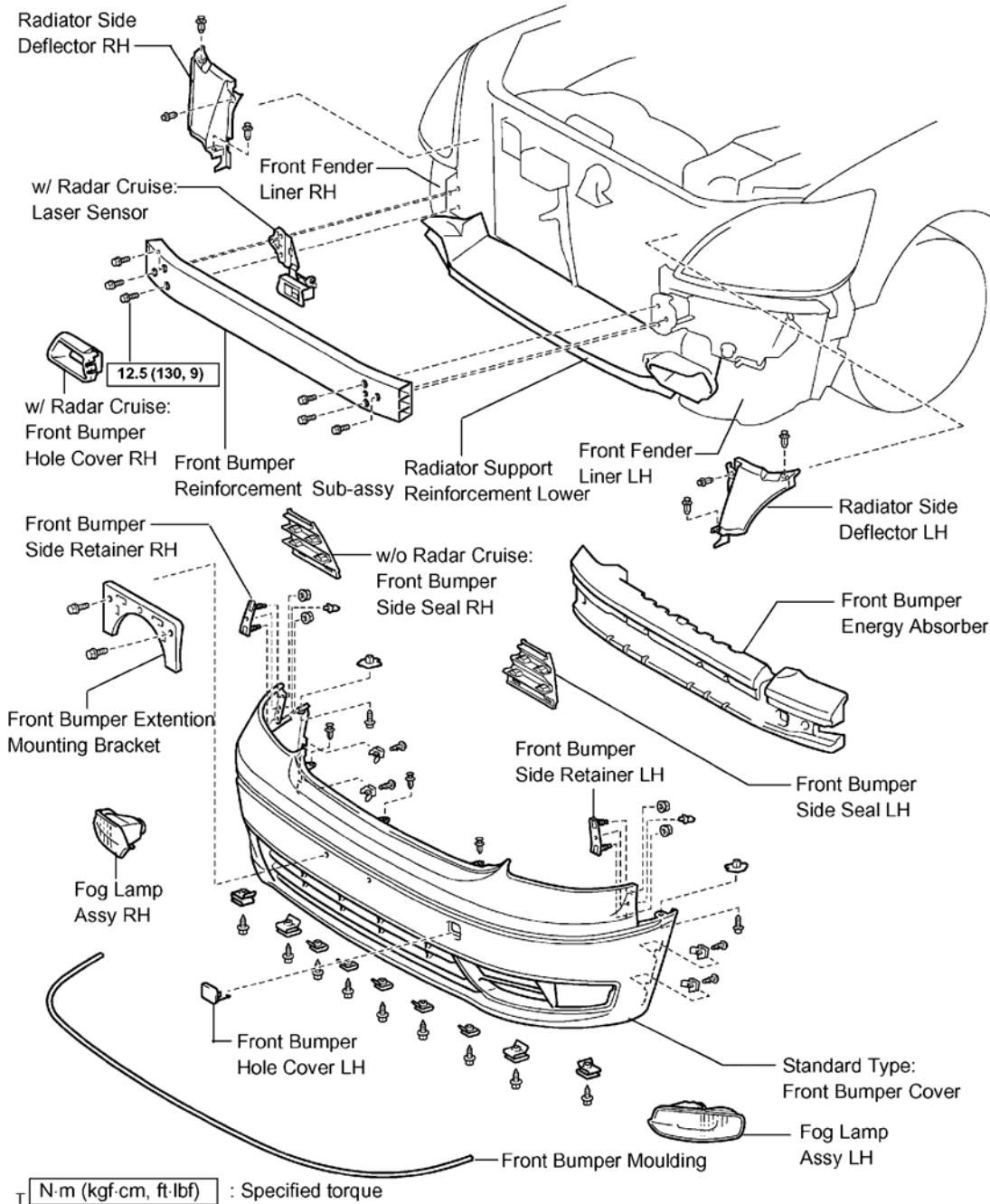
**Exterior/Interior Trim - LS430**

**FRONT BUMPER**

**COMPONENTS**

# 2006 Lexus LS 430

## 2006 ACCESSORIES & EQUIPMENT Exterior/Interior Trim - LS430



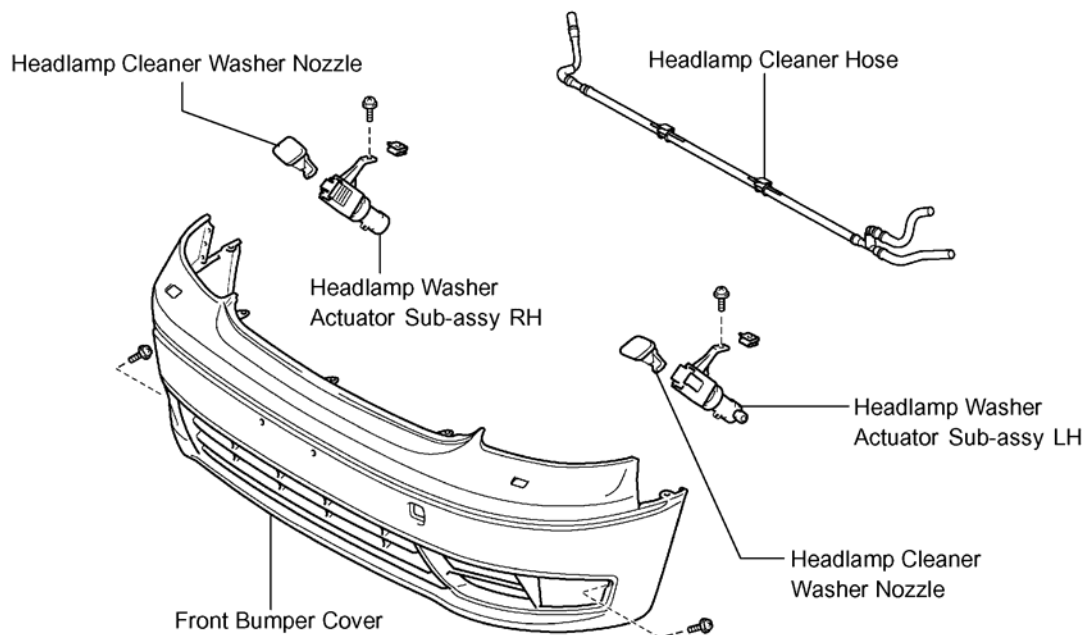
G02998760

**Fig. 1: Removing And Installing Of Front Bumper (1 Of 2)**  
Courtesy of TOYOTA MOTOR SALES, U.S.A., INC.

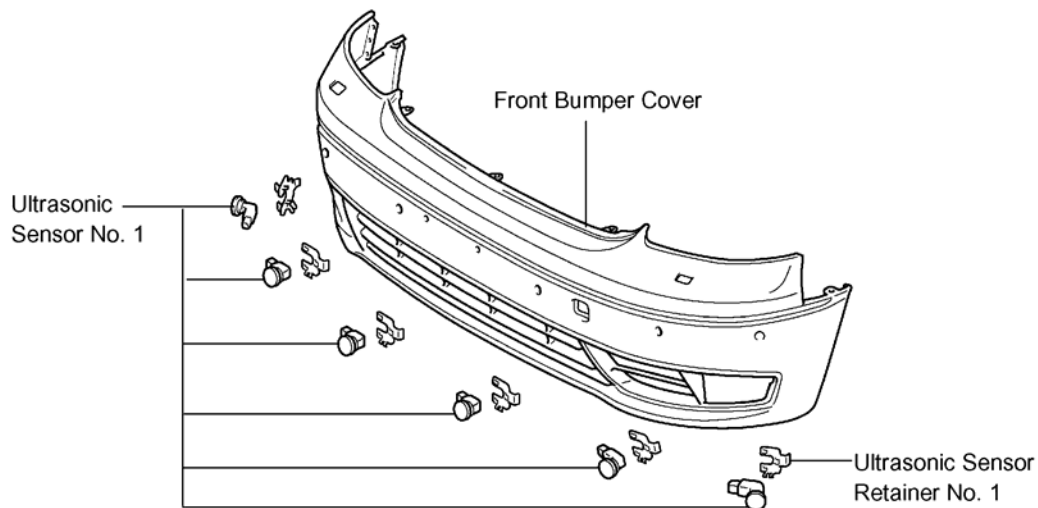
## 2006 Lexus LS 430

2006 ACCESSORIES & EQUIPMENT Exterior/Interior Trim - LS430

### w/ Headlamp Cleaner



### w/ Clearance Sonar System



T  
G02998761

**Fig. 2: Removing And Installing Of Front Bumper Components (2 Of 2)**  
Courtesy of TOYOTA MOTOR SALES, U.S.A., INC.

### REPLACEMENT

HINT:

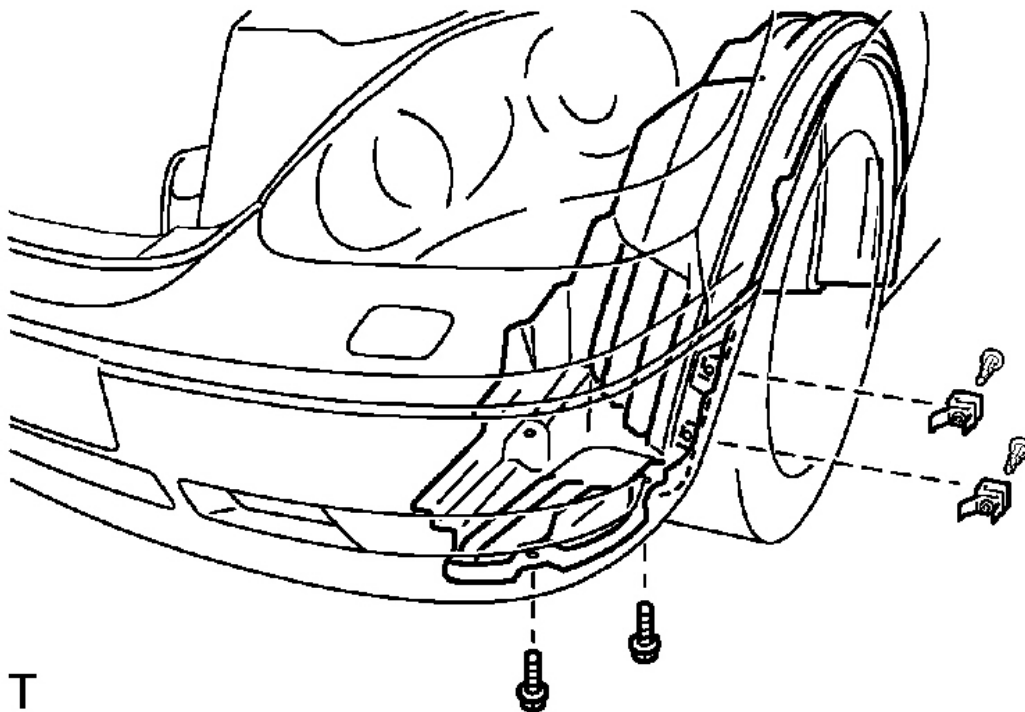
- The installation procedures are the removal procedures in reverse order. However, only installation procedures requiring additional information are included.
- A bolt without a torque specification is shown in the standard bolt chart (see **SPECIFIED TORQUE FOR STANDARD BOLTS** ).

### 1. REMOVE FRONT FENDER LINER LH

- a. Remove the 2 screws and 2 clips.
- b. Partially remove the fender liner.

#### HINT:

It is not necessary to fully remove the fender liner completely. Partially remove it so that the bumper cover can be removed in step 5.



T

G02998762

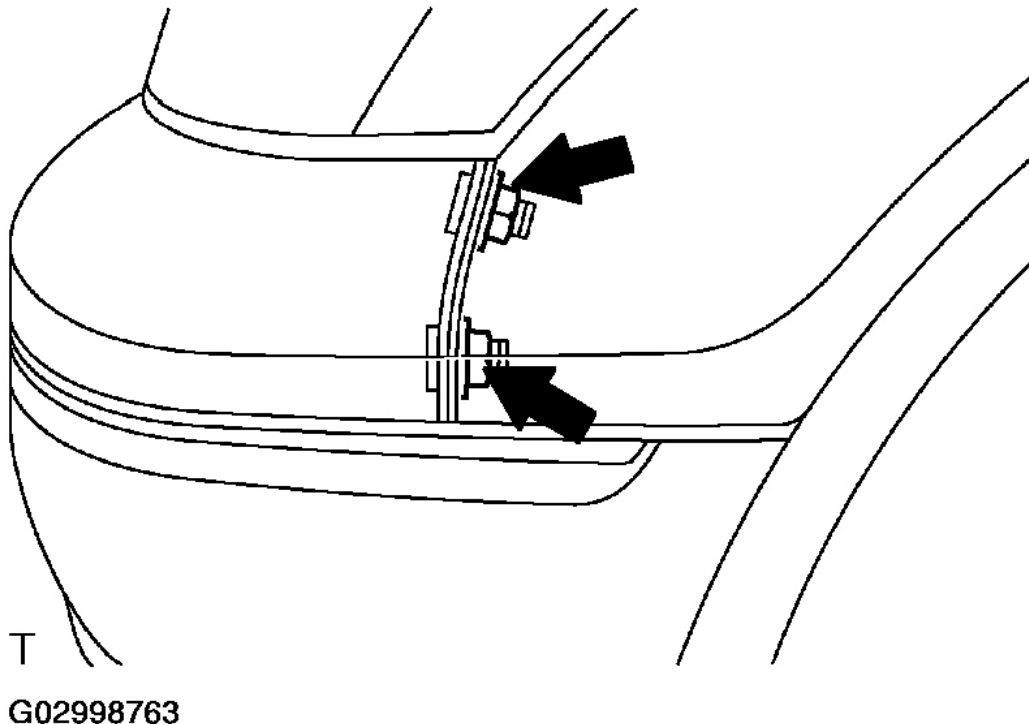
**Fig. 3: Removing Front Fender Liner LH**  
Courtesy of TOYOTA MOTOR SALES, U.S.A., INC.

### 2. REMOVE FRONT FENDER LINER RH

## HINT:

Use the same procedure described for the LH side.

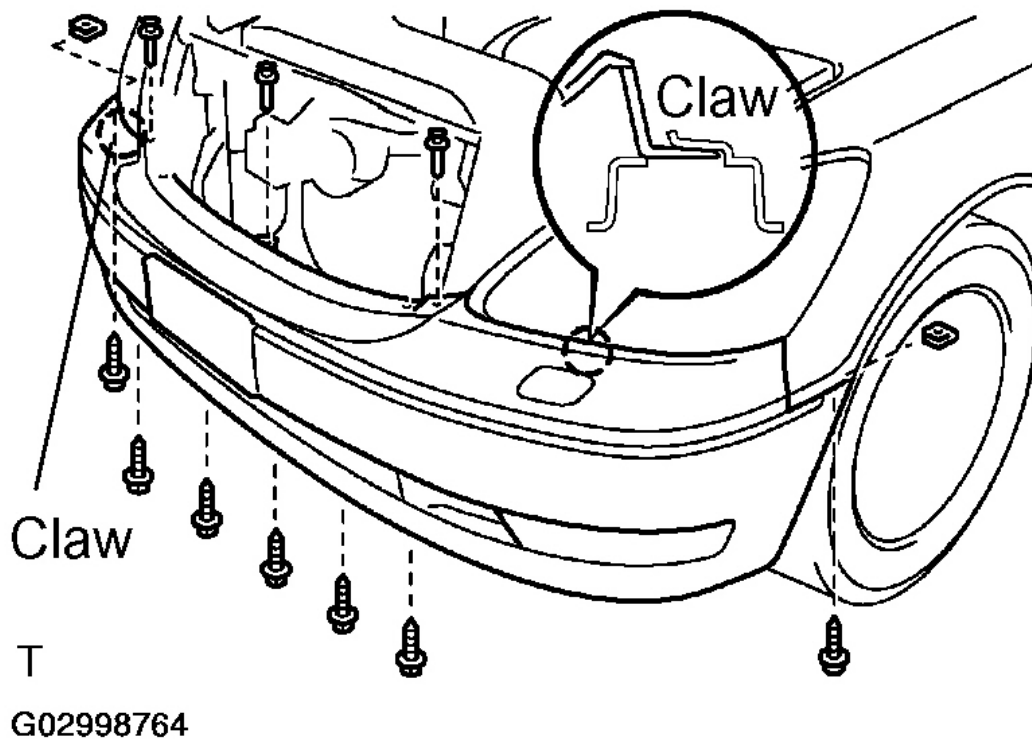
3. **REMOVE RADIATOR SIDE DEFLECTOR LH**
  - a. Remove the 3 clips and deflector.
4. **REMOVE RADIATOR SIDE DEFLECTOR RH**
  - a. Remove the 3 clips and deflector.
5. **REMOVE FRONT BUMPER COVER**
  - a. Remove the 4 nuts.



**Fig. 4: Removing Front Bumper Cover Nuts**  
Courtesy of TOYOTA MOTOR SALES, U.S.A., INC.

- b. Remove the 3 clips and 7 screws.
- c. Using a screwdriver, disengage the 2 claws and remove the bumper cover.
- d. Disconnect the 2 fog lamp connectors.
- e. w/ Clearance sonar system:

Disconnect the 6 sensor connectors.



**Fig. 5: Removing Front Bumper Cover**

Courtesy of TOYOTA MOTOR SALES, U.S.A., INC.

**6. REMOVE HEADLAMP CLEANER (FROM MOTOR TO JOINT) HOSE (W/ HEADLAMP CLEANER)**

- a. Disconnect the cleaner hose joint from the actuator.

HINT:

Be careful when removing the cleaner hose from the actuator, because washer fluid will spill.

- b. Disconnect the cleaner hose from the bumper cover.

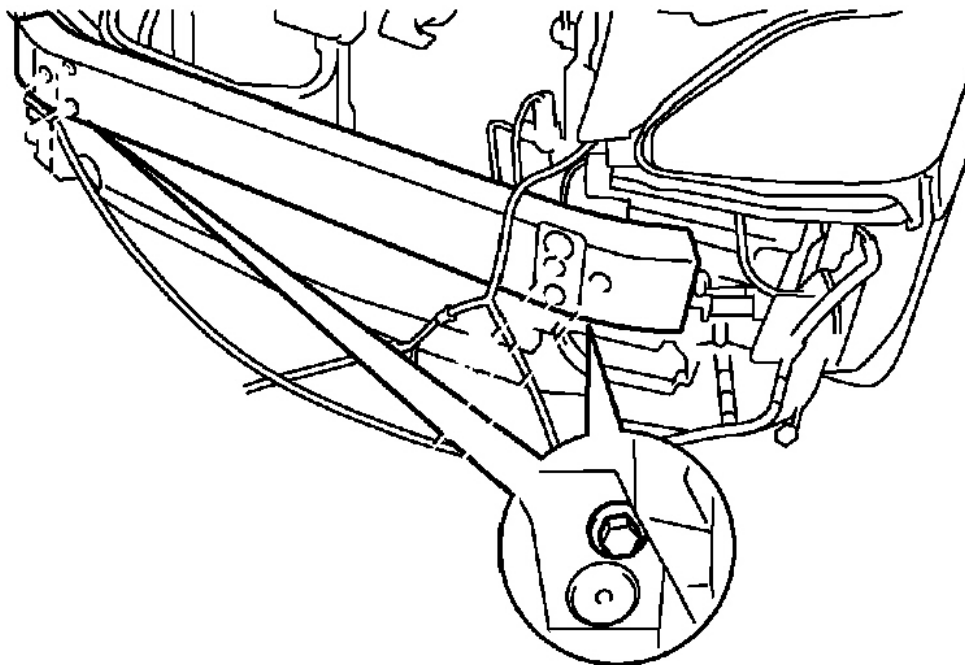
**7. REMOVE FRONT BUMPER ENERGY ABSORBER**

**8. REMOVE RADIATOR SUPPORT REINFORCEMENT LOWER**

- a. Remove the 2 bolts.
- b. Unlock the 2 claws and partially remove the reinforcement lower by angling it towards yourself.

HINT:

It is not necessary to fully remove the reinforcement lower completely. Partially remove it so that the bumper reinforcement can be removed in step (9).



T

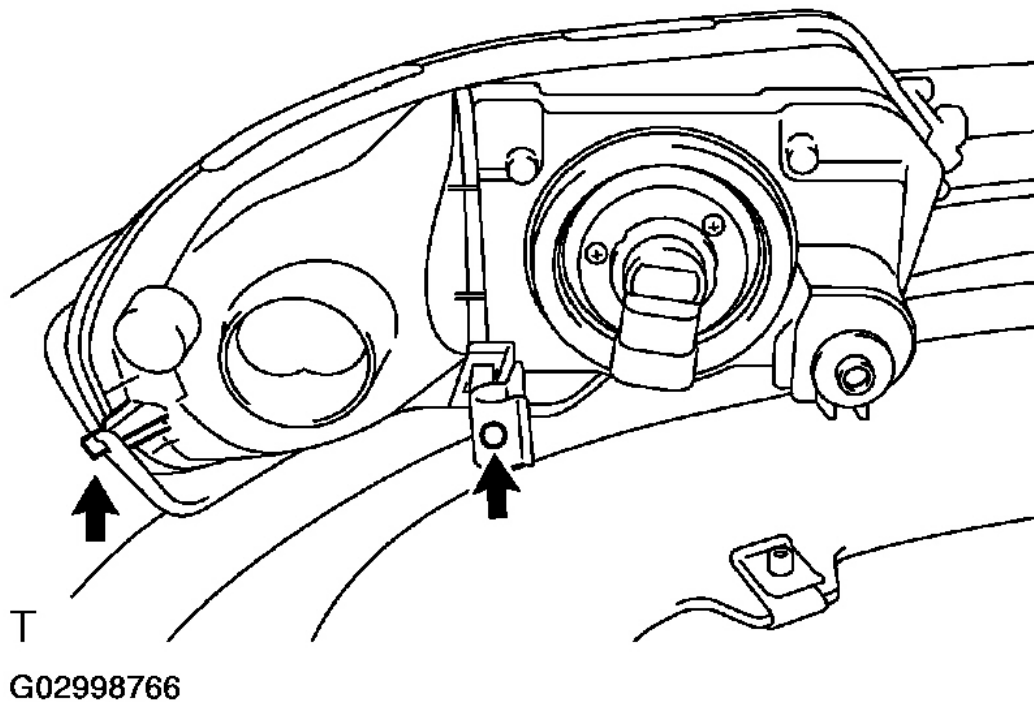
G02998765

**Fig. 6: Removing Radiator Support Reinforcement Lower**  
Courtesy of TOYOTA MOTOR SALES, U.S.A., INC.

9. **REMOVE FRONT BUMPER REINFORCEMENT SUB-ASSY**
  - a. Remove the 6 bolts and reinforcement.
10. **REMOVE LASER SENSOR (W/ RADAR CRUISE)**
11. **REMOVE FOG LAMP ASSY LH**
  - a. Using a screwdriver, disengage the 2 claws and remove the fog lamp.

HINT:

Tape the screwdriver tip before use.



**Fig. 7: Removing Fog Lamp Assy LH**  
Courtesy of TOYOTA MOTOR SALES, U.S.A., INC.

**12. REMOVE FOG LAMP ASSY RH**

HINT:

Use the same procedures described for the LH side.

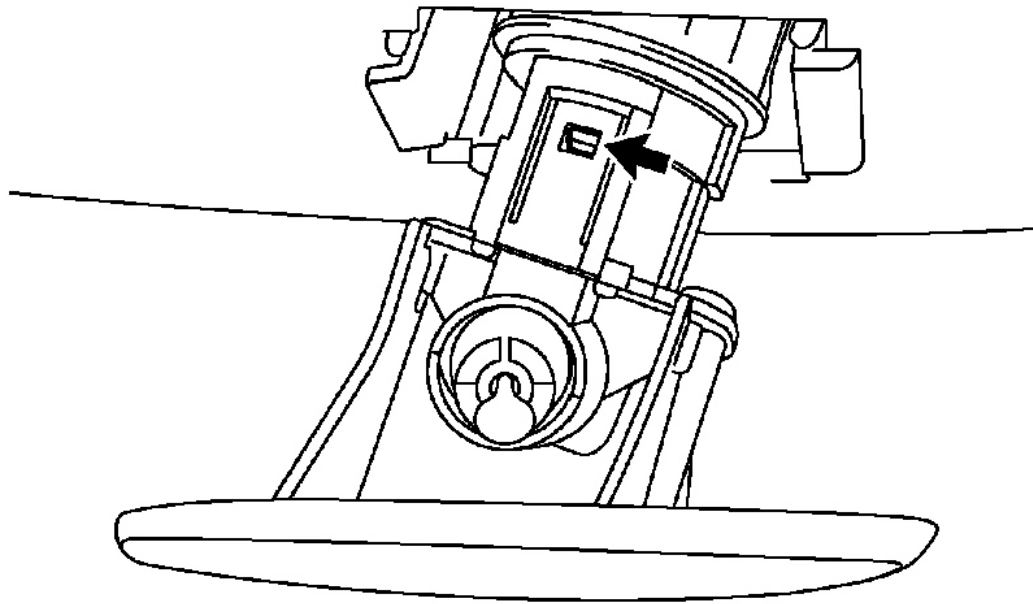
**13. REMOVE HEADLAMP CLEANER WASHER NOZZLE (W/ HEADLAMP CLEANER)**

- a. Using a screwdriver, pull out the 2 washer nozzles.

HINT:

Tape the screwdriver tip before use.





T

G02998767

**Fig. 8: Removing Headlamp Cleaner Washer Nozzle (W/Headlamp Cleaner)**  
 Courtesy of TOYOTA MOTOR SALES, U.S.A., INC.

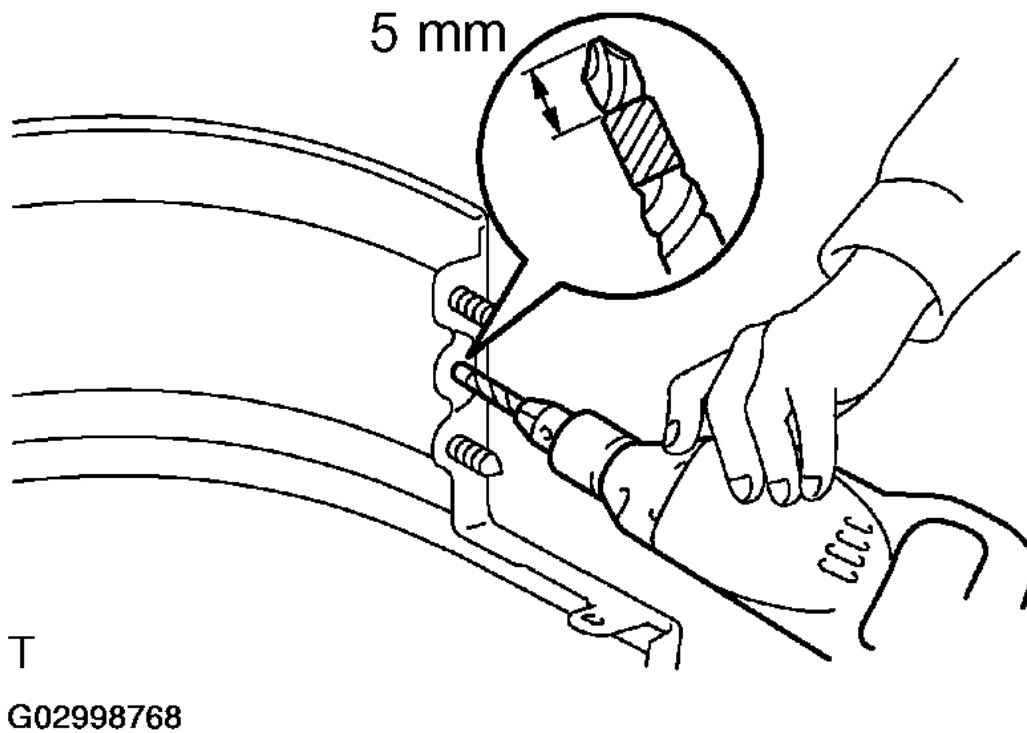
14. **REMOVE HEADLAMP WASHER ACTUATOR SUB-ASSY LH (W/ HEADLAMP CLEANER)**
  - a. Remove the screw and actuator.
15. **REMOVE HEADLAMP WASHER ACTUATOR SUB-ASSY RH (W/ HEADLAMP CLEANER)**
  - a. Remove the screw and actuator.
16. **REMOVE ULTRASONIC SENSOR NO. 1 (w/ CLEARANCE SONAR SYSTEM)**
  - a. Using a screwdriver, remove the retainer and sensor.

HINT:

Tape the screwdriver tip before use.

17. **REMOVE FRONT BUMPER EXTENSION MOUNTING BRACKET**
  - a. Remove the 2 screws and mounting bracket.
18. **REMOVE FRONT BUMPER SIDE RETAINER LH**
  - a. Use a drill that has a tip of less than 4 mm (0.16 in.).
  - b. Tape the drill tip as shown in **Fig. 9**.

Dimension: 5 mm (0.20 in.)



**Fig. 9: Taping Drill Tip**

Courtesy of TOYOTA MOTOR SALES, U.S.A., INC.

HINT:

Taping the drill tip is done to prevent excessive drilling.

- c. Gently place the drill tip onto the rivet, cut the rivet flanges and then remove the rivet.

**NOTE:**

- Pressing the drill tip onto the rivet strongly will cause the rivet to turn with the drill and the rivet will not be cut.
- Do not prize the rivet hole with the drill. Doing so may damage the rivet hole and/or the drill.
- Be careful as the cut rivet will be very hot.

- d. Remove the retainer from the bumper cover.

## 19. REMOVE FRONT BUMPER SIDE RETAINER RH

HINT:

Use the same procedures described for the LH side.

**20. REMOVE FRONT BUMPER MOLDING**

HINT:

Remove the double-sided tape completely from the bumper. Double-sided tape interferes with the installation of the molding to the bumper.

**21. REMOVE FRONT BUMPER SIDE SEAL LH**

- a. Using a screwdriver, disengage the 4 claws and remove the side seal.

HINT:

Tape the screwdriver tip before use.

**22. REMOVE FRONT BUMPER SIDE SEAL RH (W/O RADAR CRUISE)**

HINT:

Use the same procedures described for the LH side.

**23. REMOVE FRONT BUMPER HOLE COVER LH**

- a. Using a screwdriver, disengage the 2 claws and remove the hole cover.

HINT:

Tape the screwdriver tip before use.

**24. REMOVE FRONT BUMPER HOLE COVER RH (W/ RADAR CRUISE)**

- a. Using a screwdriver, disengage the 4 claws and remove the hole cover.

HINT:

Tape the screwdriver tip before use.

**25. INSTALL FRONT BUMPER REINFORCEMENT SUB-ASSY**

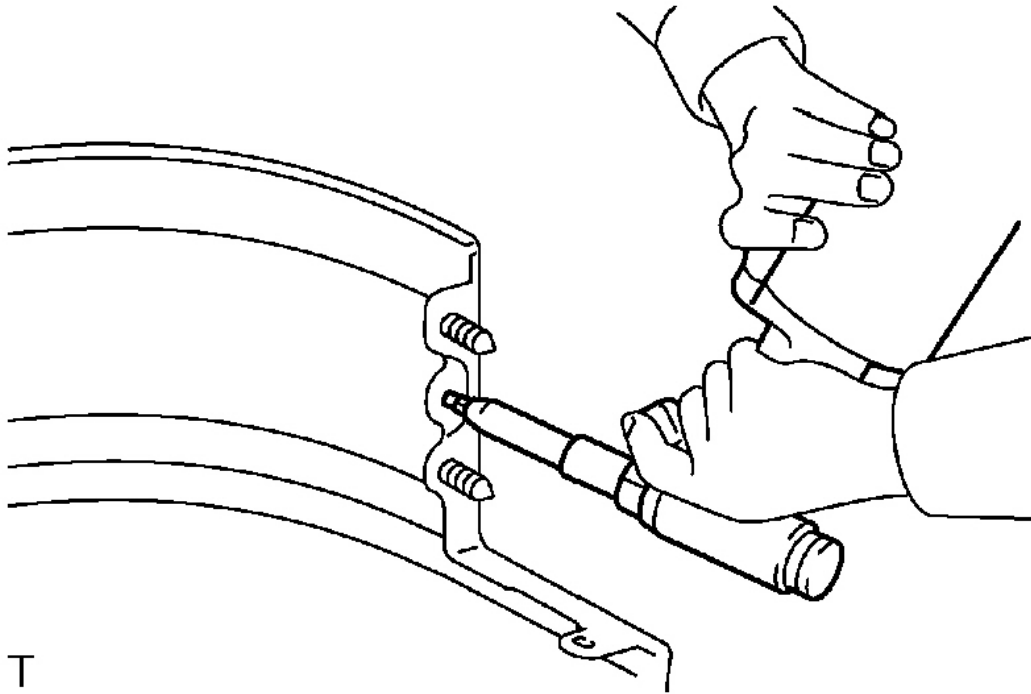
- a. Install the reinforcement with the 6 bolts.

**Torque: 12.5 N.m (130 kgf.cm, 9 ft.lbf)**

**26. INSTALL FRONT BUMPER SIDE RETAINER LH**

- a. Using an air riveter or hand riveter with nose piece, strike waterproof rivets of this 4.9 mm (0.19 in.) into the side retainer to install the rivet to the bumper cover.

**NOTE:** If the rivet is not positioned perpendicularly to the bumper, the mandrel will bend and become damaged.



T

G02998769

**Fig. 10: Installing Front Bumper Side Retainer LH**  
Courtesy of TOYOTA MOTOR SALES, U.S.A., INC.

## 27. INSTALL FRONT BUMPER SIDE RETAINER RH

HINT:

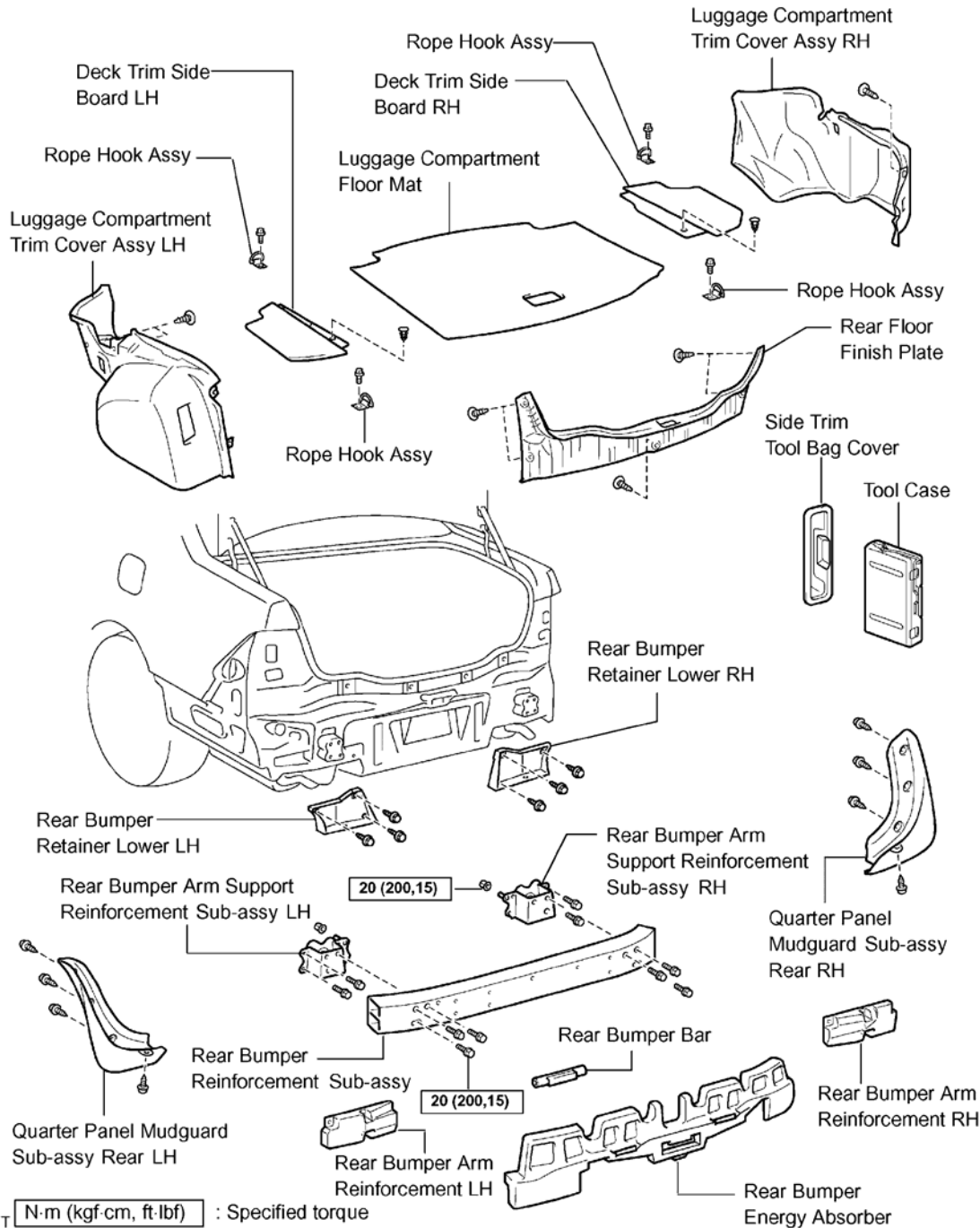
Use the same procedures described for the LH side.

## REAR BUMPER

### COMPONENTS

# 2006 Lexus LS 430

## 2006 ACCESSORIES & EQUIPMENT Exterior/Interior Trim - LS430

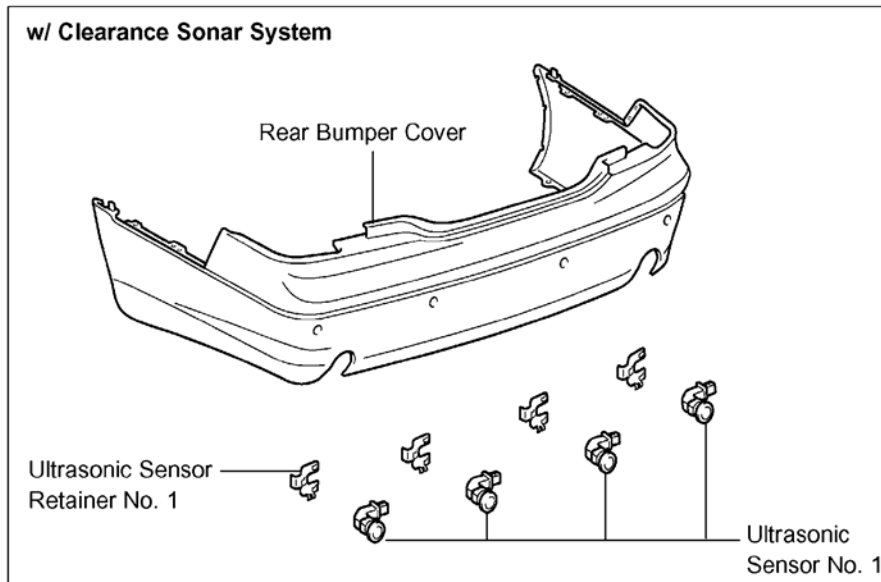
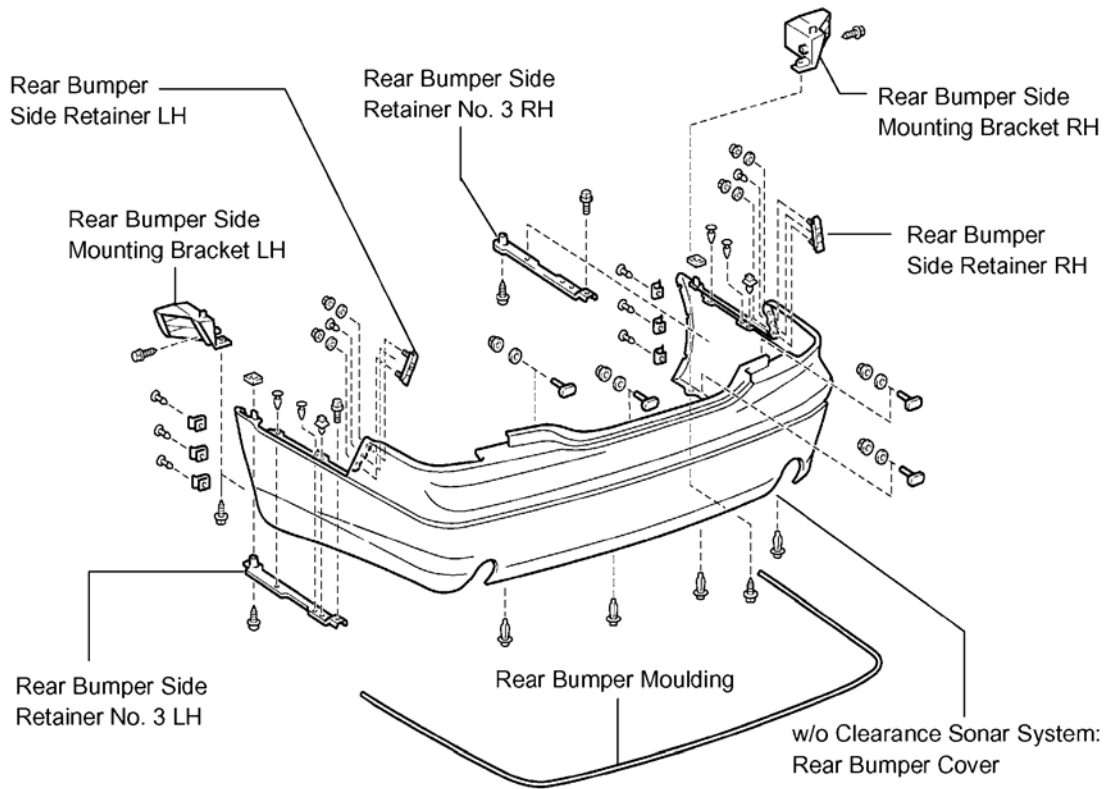


G02998770

**Fig. 11: Removing And Installing Rear Bumper (1 Of 2)**  
Courtesy of TOYOTA MOTOR SALES, U.S.A., INC.

2006 Lexus LS 430

2006 ACCESSORIES & EQUIPMENT Exterior/Interior Trim - LS430



T  
G02998771

**Fig. 12: Removing And Installing Rear Bumper (2 Of 2)**  
Courtesy of TOYOTA MOTOR SALES, U.S.A., INC.

REPLACEMENT

## 2006 Lexus LS 430

2006 ACCESSORIES & EQUIPMENT Exterior/Interior Trim - LS430

### HINT:

- The installation procedures are the removal procedures in reverse order. However, only installation procedures requiring additional information are included.
- A bolt without a torque specification is shown in the standard bolt chart (see **SPECIFIED TORQUE FOR STANDARD BOLTS** )

### 1. REMOVE LUGGAGE COMPARTMENT FLOOR MAT

### 2. REMOVE ROPE HOOK ASSY

- a. Remove the 4 bolts and 4 hooks.

### 3. REMOVE DECK TRIM SIDE BOARD LH

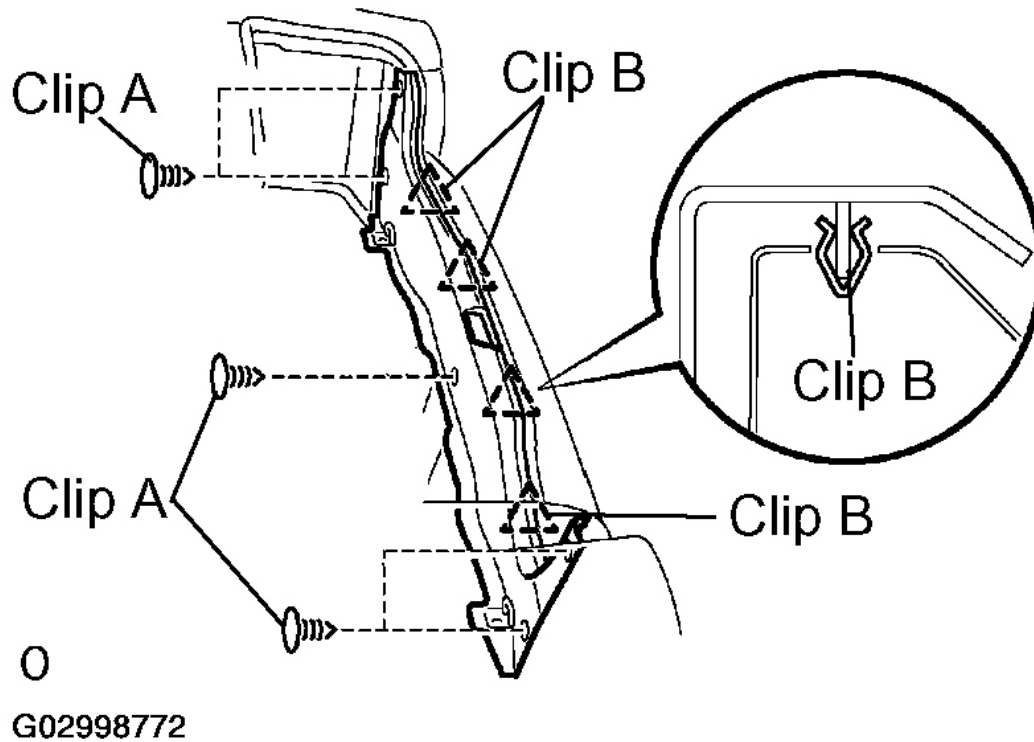
### 4. REMOVE DECK TRIM SIDE BOARD RH

### 5. REMOVE REAR FLOOR FINISH PLATE

- a. Using a clip remover, remove the 5 clips labeled A.
- b. Using a screwdriver, disengage the 4 clips labeled B and remove the finish plate.

### HINT:

Tape the screwdriver tip before use.



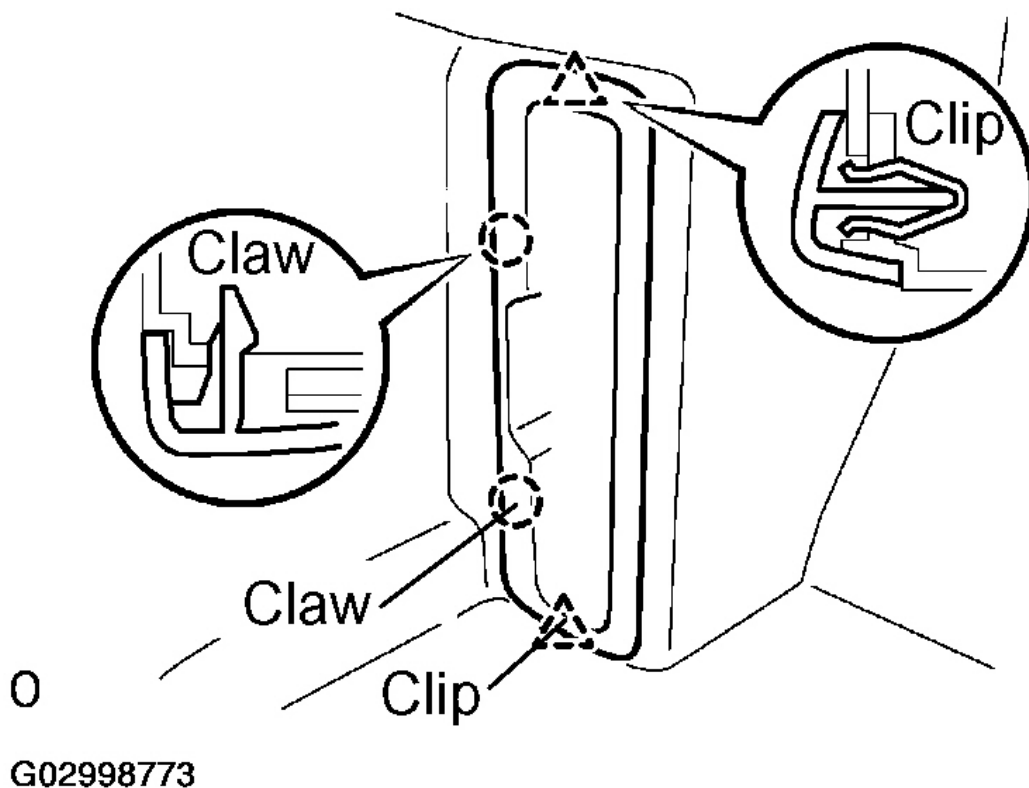
**Fig. 13: Removing Rear Floor Finish Plate**  
Courtesy of TOYOTA MOTOR SALES, U.S.A., INC.

6. **REMOVE TOOL CASE**
7. **REMOVE SIDE TRIM TOOL BAG COVER**
  - a. Using a screwdriver, disengage the 2 claws and 2 clips and remove the cover.

HINT:

Tape the screwdriver tip before use.



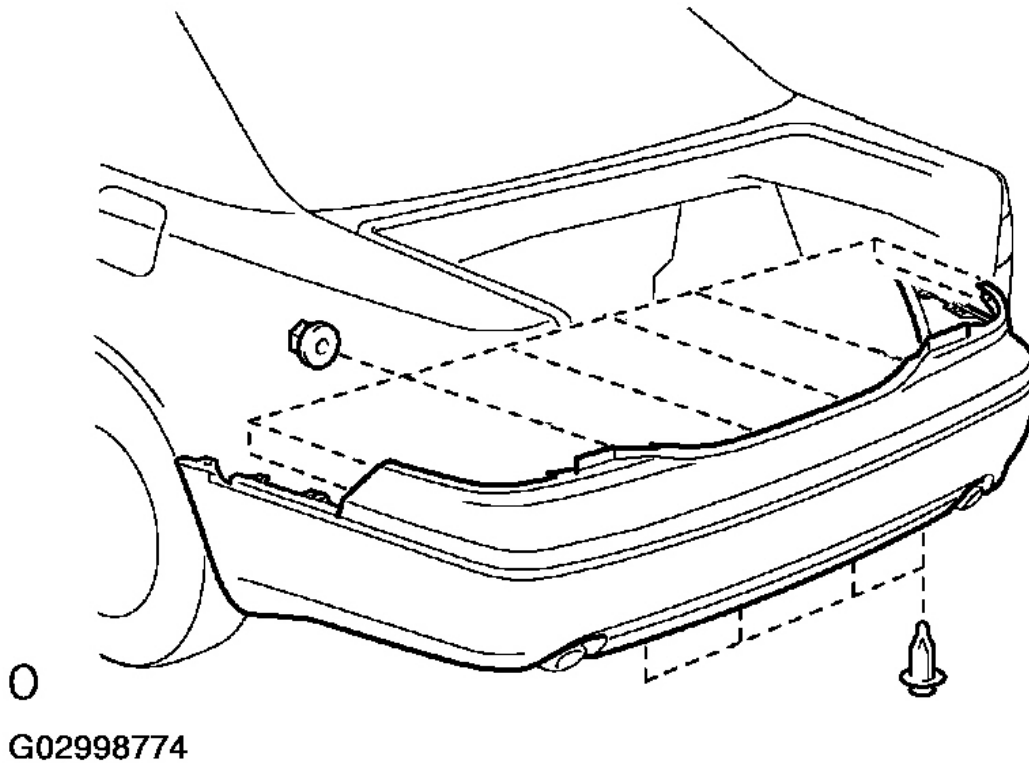


**Fig. 14: Removing Side Trim Tool Bag Cover**  
 Courtesy of TOYOTA MOTOR SALES, U.S.A., INC.

8. REMOVE LUGGAGE COMPARTMENT TRIM COVER ASSY LH (See **REPLACEMENT** )
9. REMOVE LUGGAGE COMPARTMENT TRIM COVER ASSY RH (See **REPLACEMENT** )
10. REMOVE QUARTER PANEL MUDGUARD SUB-ASSY REAR LH (W/ MUDGUARD)
  - a. Remove the 4 screws and mudguard.
11. REMOVE QUARTER PANEL MUDGUARD SUB-ASSY REAR RH (W/ MUDGUARD)
  - a. Remove the 4 screws and mudguard.
12. REMOVE REAR BUMPER COVER
  - a. Using a screwdriver, remove the 4 clips.

HINT:

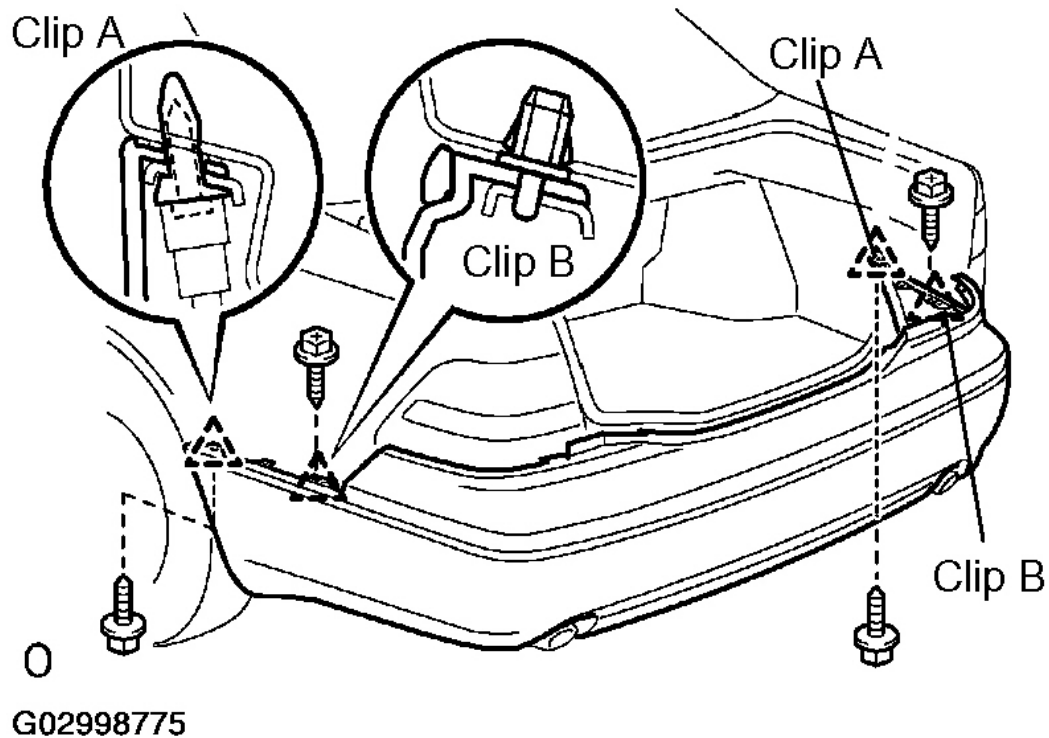
Tape the screwdriver tip before use.



**Fig. 15: Removing Rear Bumper Cover Clips**  
Courtesy of TOYOTA MOTOR SALES, U.S.A., INC.

- b. Remove the 8 nuts.
- c. Remove the 2 bolts and 2 screws.
- d. Using a screwdriver, disengage the 2 clips labeled A and 2 clips labeled B. Then remove the bumper cover.
- e. w/ Clearance sonar system:

Disconnect the 4 sensor connectors.



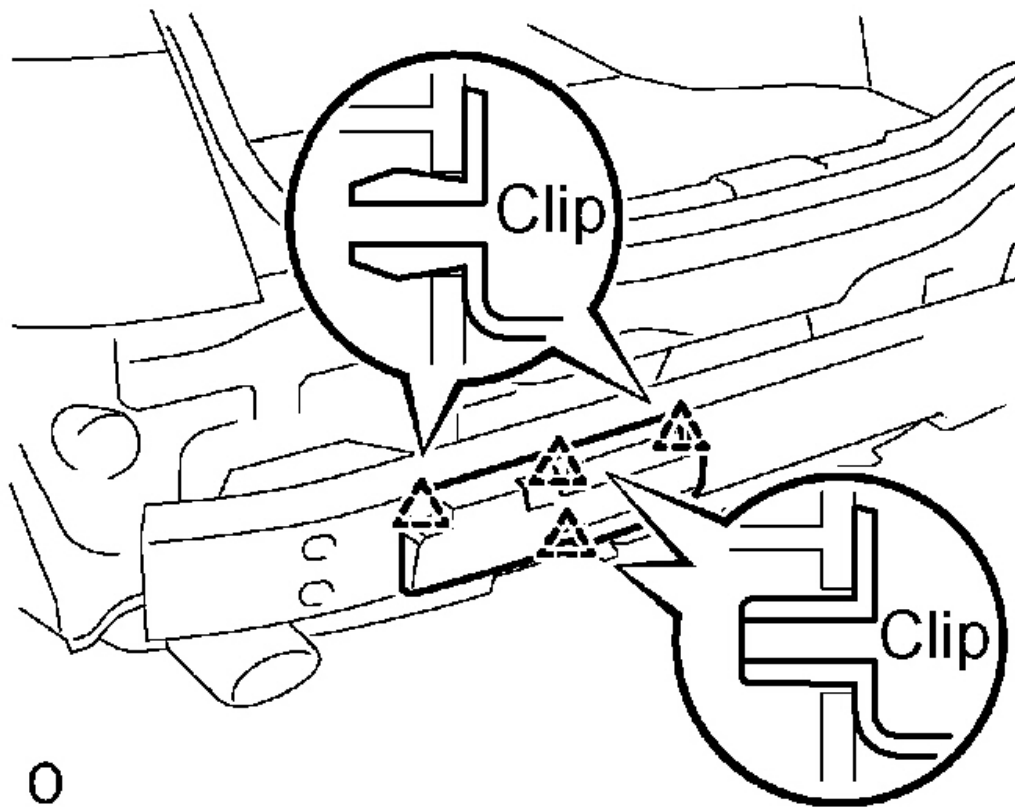
**Fig. 16: Disengaging Clips**

Courtesy of TOYOTA MOTOR SALES, U.S.A., INC.

13. **REMOVE REAR BUMPER ENERGY ABSORBER**
14. **REMOVE REAR BUMPER BAR**
15. **REMOVE REAR BUMPER ARM REINFORCEMENT LH**
  - a. Using a screwdriver, disengage the 4 clips and remove the arm reinforcement.

HINT:

Tape the screwdriver tip before use.



0

G02998776

**Fig. 17: Removing Rear Bumper Arm Reinforcement LH**  
 Courtesy of TOYOTA MOTOR SALES, U.S.A., INC.

**16. REMOVE REAR BUMPER ARM REINFORCEMENT RH**

HINT:

Use the same procedures described for the LH side.

**17. REMOVE REAR BUMPER REINFORCEMENT SUB-ASSY**

- a. Remove the 6 bolts and reinforcement.

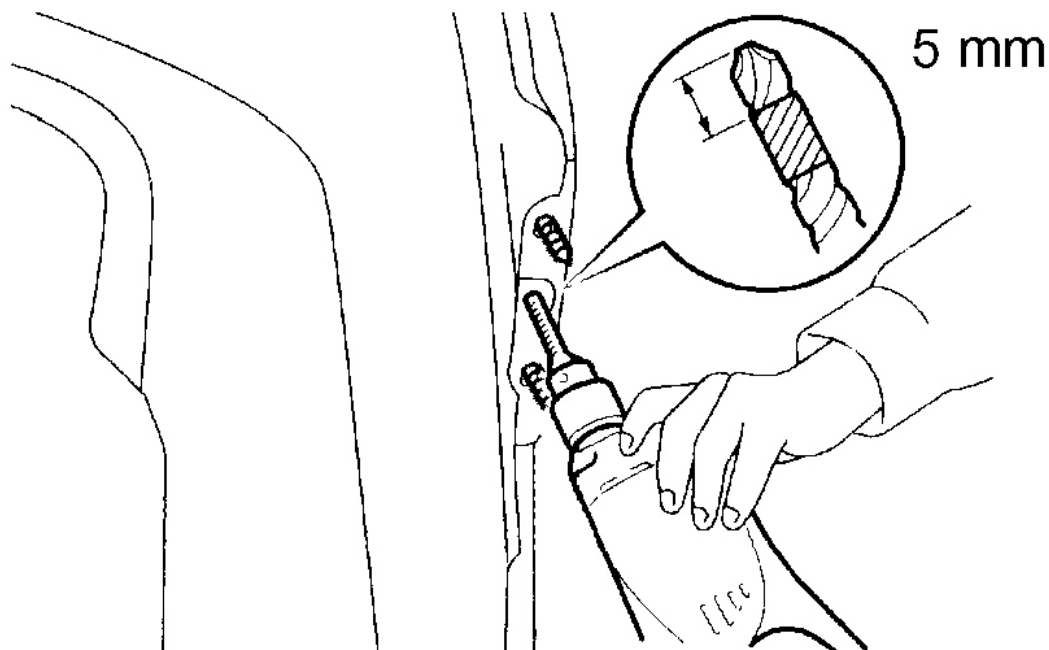
**18. REMOVE REAR BUMPER SIDE RETAINER LH**

- a. Use a drill that has a tip of less than 4 mm (0.16 in.).  
 b. Tape the drill tip as shown in **Fig. 18**.

**Dimension: 5 mm (0.20 in.)**

**HINT:**

Taping the drill tip is done to prevent excessive drilling.



G02998777

**Fig. 18: Taping Drill Tip**

Courtesy of TOYOTA MOTOR SALES, U.S.A., INC.

- c. Gently place the drill tip onto the rivet, cut the rivet flanges and then remove the rivet.

**NOTE:**

- Pressing the drill tip onto the rivet strongly will cause the rivet to turn with the drill and the rivet will not be cut.
- Do not prize the rivet hole with the drill. Doing so may damage the rivet hole and/or the drill.
- Be careful as the cut rivet will be very hot.

- d. Remove the retainer from the bumper cover.

**19. REMOVE REAR BUMPER SIDE RETAINER RH****HINT:**

Use the same procedures described for the LH side.

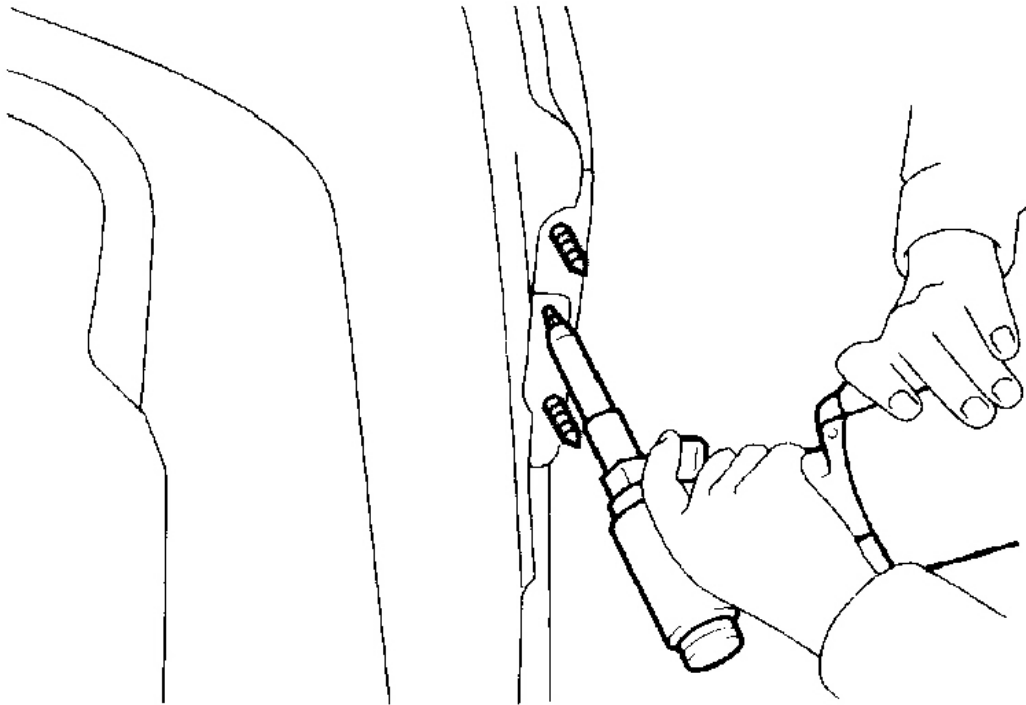
20. **REMOVE REAR BUMPER SIDE MOUNTING BRACKET LH**
  - a. Remove the screw and bracket.
21. **REMOVE REAR BUMPER SIDE MOUNTING BRACKET RH**
  - a. Remove the screw and bracket.
22. **REMOVE REAR BUMPER ARM SUPPORT REINFORCE SUB-ASSY LH**
  - a. Remove the 2 bolts, nut and arm support.
23. **REMOVE REAR BUMPER ARM SUPPORT REINFORCE SUB-ASSY RH**
  - a. Remove the 2 bolts, nut and arm support.
24. **REMOVE REAR BUMPER RETAINER LOWER LH**
  - a. Remove the 3 screws and retainer lower.
25. **REMOVE REAR BUMPER RETAINER LOWER RH**
  - a. Remove the 3 screws and retainer lower.
26. **REMOVE ULTRASONIC SENSOR NO. 1 (w/ CLEARANCE SONAR SYSTEM)**
  - a. Remove the 4 retainers and 4 sensors.
27. **REMOVE REAR BUMPER molding**

HINT:

Remove the double-sided tape completely from the bumper. Double-sided tape interferes with the installation of the molding to the bumper.

28. **REMOVE REAR BUMPER SIDE RETAINER NO. 3 LH**
  - a. Remove the 2 clips and side retainer.
29. **REMOVE REAR BUMPER SIDE RETAINER NO. 3 RH**
  - a. Remove the 2 clips and side retainer.
30. **INSTALL REAR BUMPER ARM SUPPORT REINFORCE SUB-ASSY LH**
  - a. Install the arm support with the 2 bolts and nut.  
**Torque: 20 N.m (200 kgf.cm, 15 ft.lbf)**
31. **INSTALL REAR BUMPER ARM SUPPORT REINFORCE SUB-ASSY RH**
  - a. Install the arm support with the 2 bolts and nut.  
**Torque: 20 N.m (200 kgf.cm, 15 ft.lbf)**
32. **INSTALL REAR BUMPER REINFORCEMENT SUB-ASSY**
  - a. Install the reinforcement with the 2 bolts and nut.  
**Torque: 20 N.m (200 kgf.cm, 15 ft.lbf)**
33. **INSTALL REAR BUMPER SIDE RETAINER LH**
  - a. Using an air riveter or hand riveter with nose piece, strike waterproof rivets of this 4.9 mm (0.19 in.) into the side retainer to install the rivet to the bumper cover.

**NOTE:** If the rivet is not positioned perpendicularly to the bumper, the mandrel will bend and become damaged.



G02998778

**Fig. 19: Installing Rear Bumper Side Retainer LH**  
Courtesy of TOYOTA MOTOR SALES, U.S.A., INC.

**34. INSTALL REAR BUMPER SIDE RETAINER RH**

**HINT:**

Use the same procedures described for the LH side.

**FUEL LID LOCK CONTROL ASSY**

**REPLACEMENT**

**HINT:**

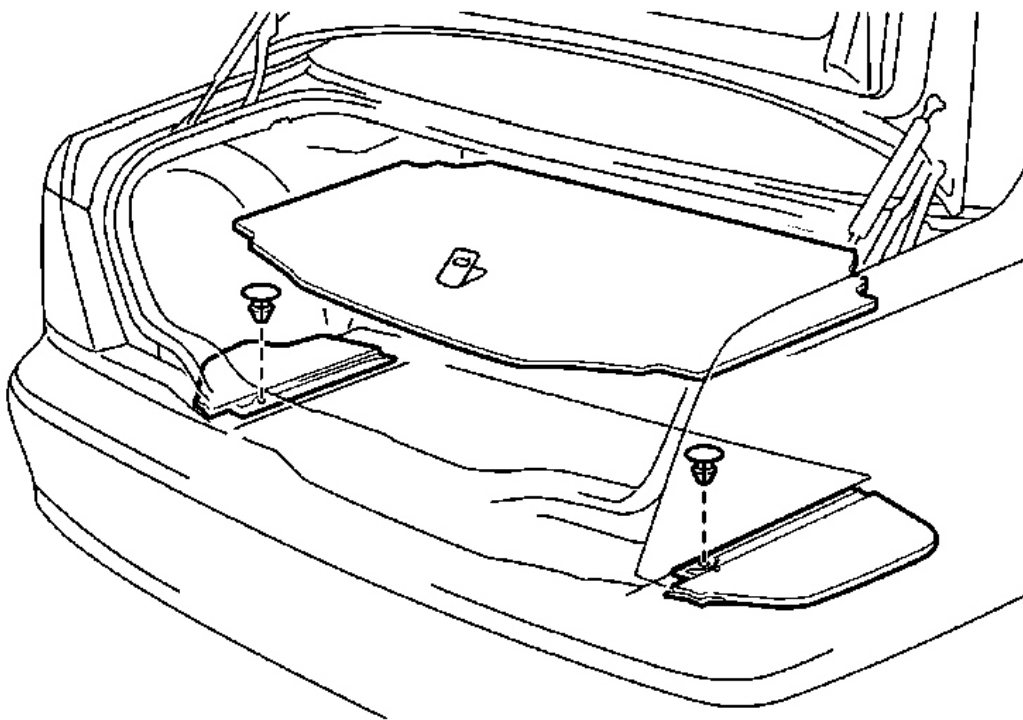
- The installation procedures are the removal procedures in reverse order. However, only installation

procedures requiring additional information are included.

- A bolt without a torque specification is shown in the standard bolt chart (see **SPECIFIED TORQUE FOR STANDARD BOLTS** ).

**1. REMOVE LUGGAGE COMPARTMENT FLOOR MAT**

- a. Remove the 4 bolts and 4 luggage compartment trim hooks No. 1.
- b. Remove the mat.
- c. Remove the 2 clips and 2 deck side trim boards.



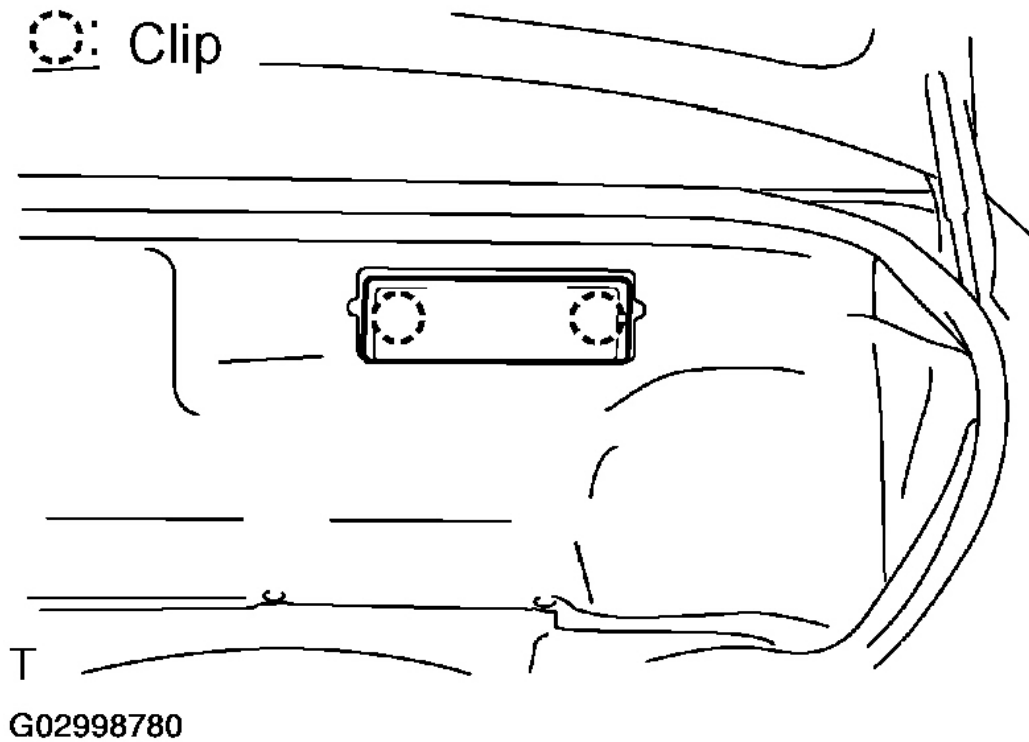
**G02998779**

**Fig. 20: Removing Luggage Compartment Floor Mat**  
Courtesy of TOYOTA MOTOR SALES, U.S.A., INC.

**2. REMOVE LUGGAGE COMPARTMENT TRIM COVER FRONT**

- a. w/ Special utility package:  
Remove the 2 clips and cover.

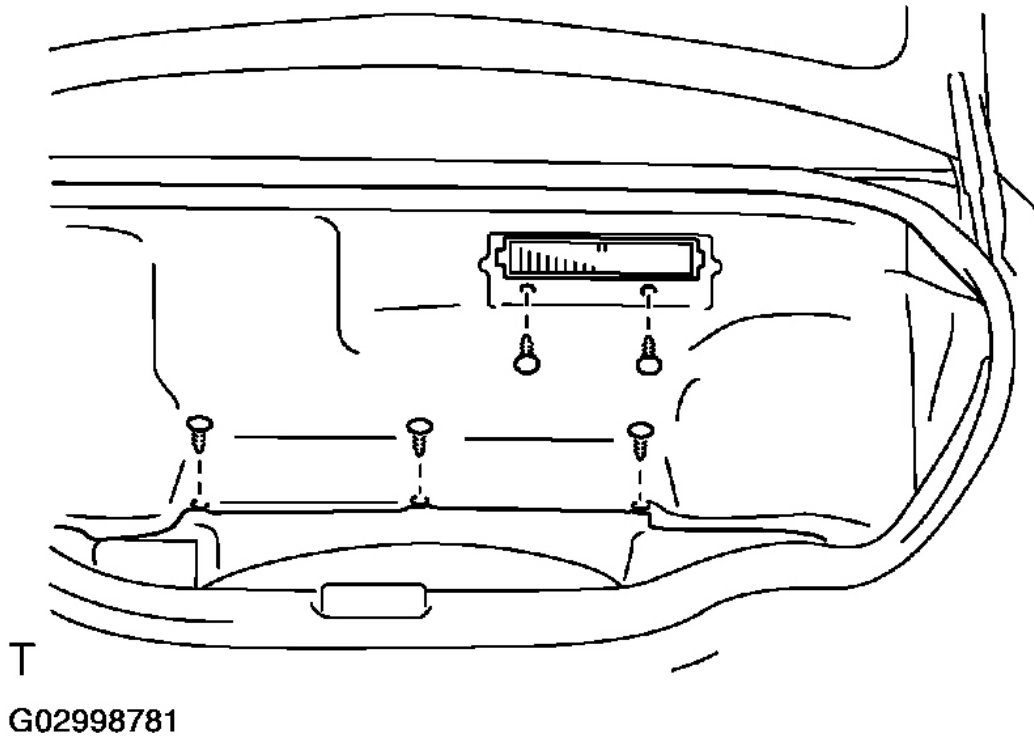




**Fig. 21: Removing 2 Clips And Cover (W/Special Utility Package)**  
Courtesy of TOYOTA MOTOR SALES, U.S.A., INC.

b. w/ Special utility package:

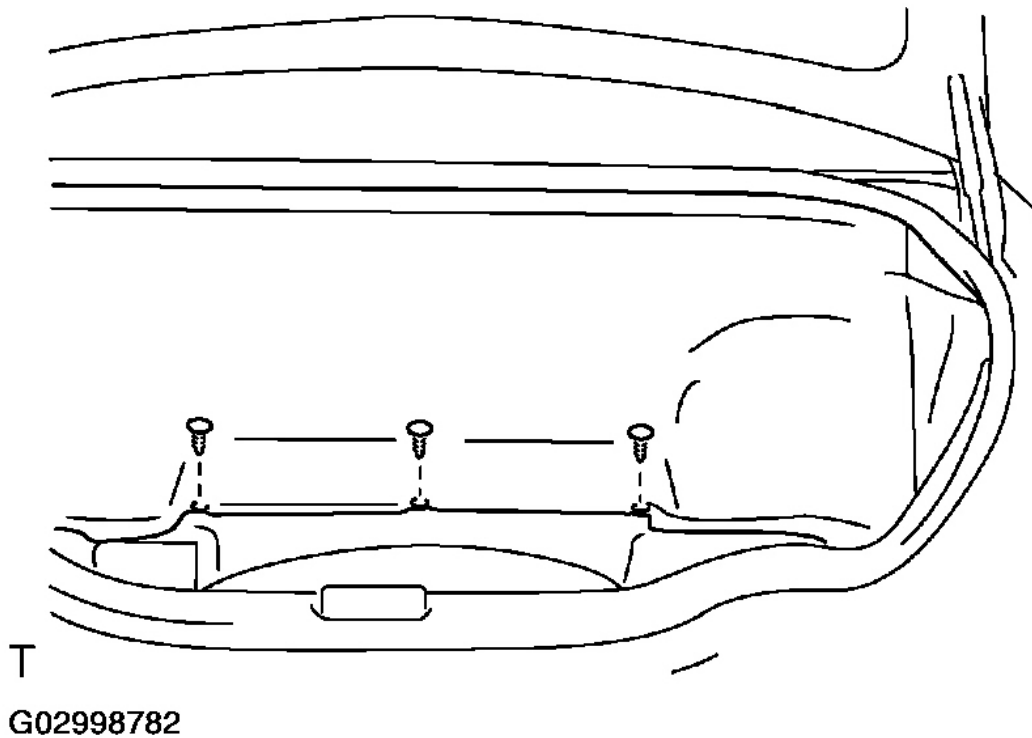
Using a clip remover, remove the 5 clips.



**Fig. 22: Removing 5 Clips Using Clip Remover (W/Special Utility Package)**  
Courtesy of TOYOTA MOTOR SALES, U.S.A., INC.

c. w/o Special utility package:

Using a clip remover, remove the 3 clips.

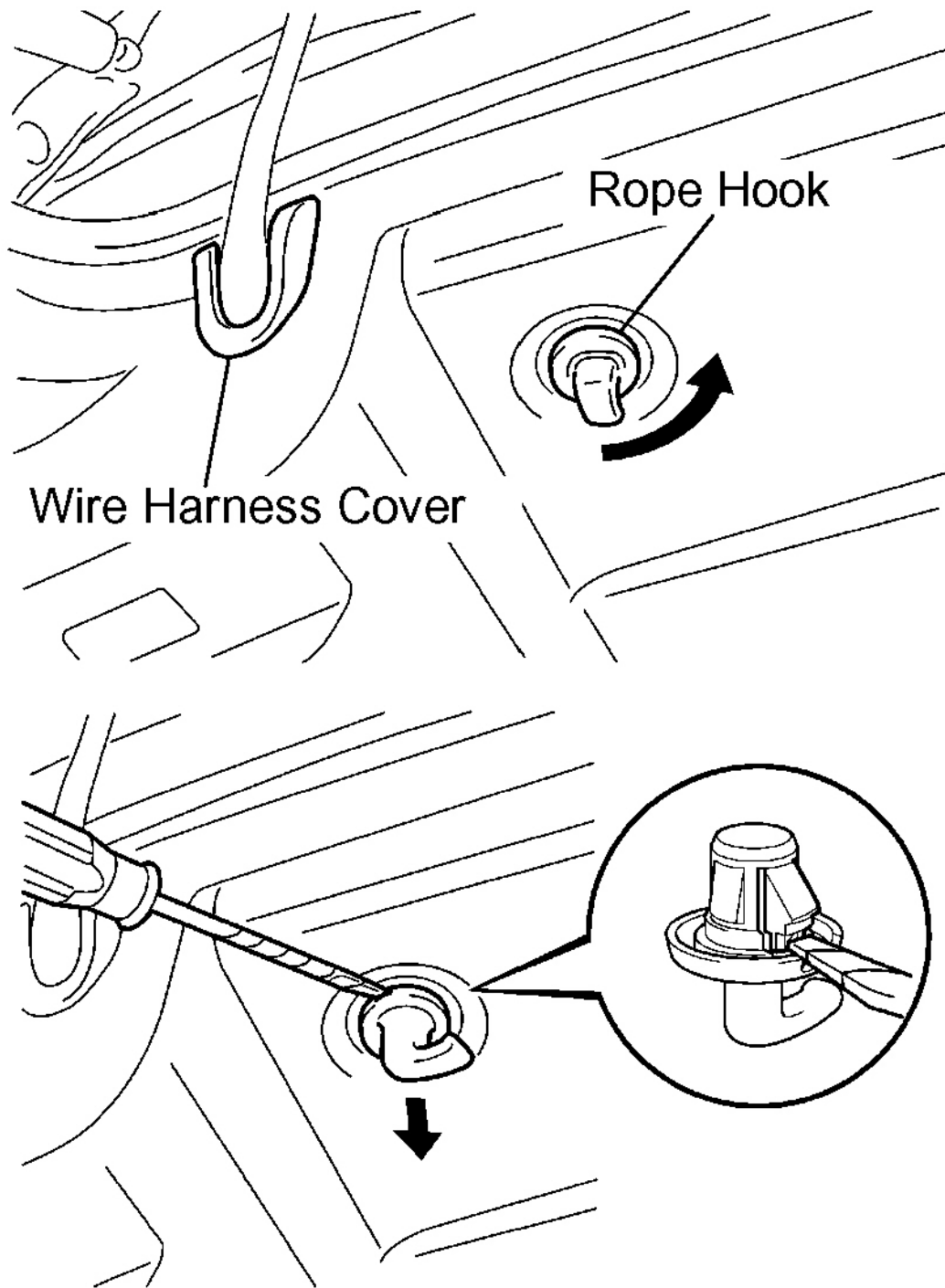


**Fig. 23: Removing 3 Clips Using Clip Remover (W/O Special Utility Package)**  
Courtesy of TOYOTA MOTOR SALES, U.S.A., INC.

- d. Using a screwdriver, pry out the wire harness cover.

HINT:

Tape the screwdriver tip before use.



G02998783

**Fig. 24: Prying Out Wire Harness Cover**

Courtesy of TOYOTA MOTOR SALES, U.S.A., INC.

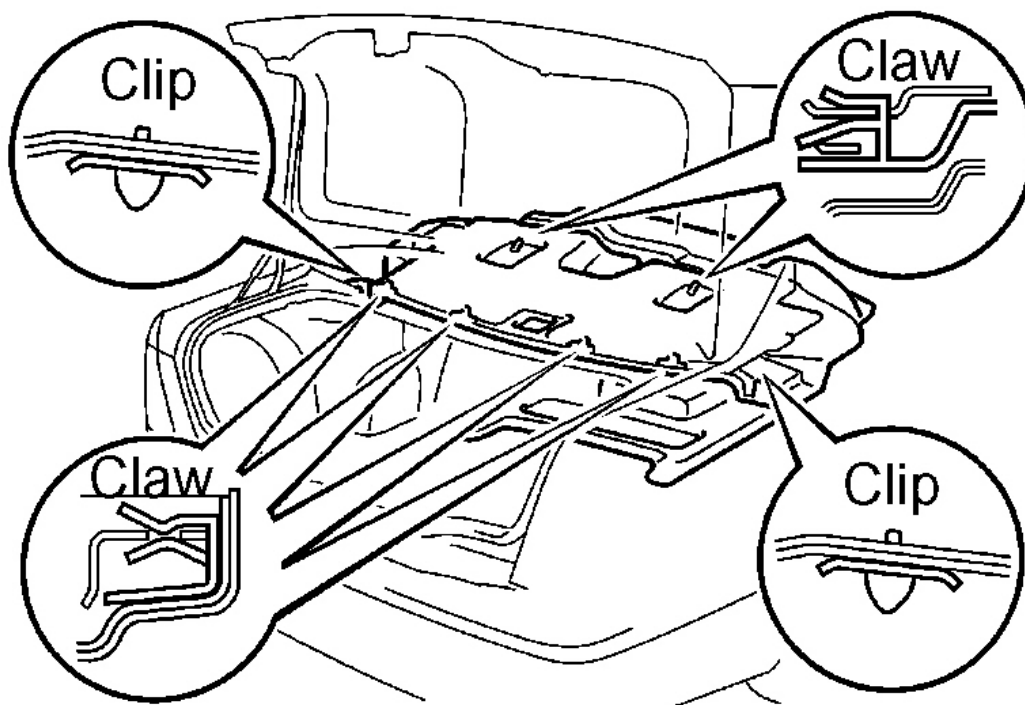
- e. Using a screwdriver, remove the 2 rope hooks.

HINT:

Turn the rope hook 90 degrees counterclockwise. Insert a screwdriver (with its tip taped) into the slit in the side of the rope hook. Hold down the claw inside the slit and remove the rope hook as shown in **Fig. 24**.

- f. w/ Special utility package:

Remove the 2 clips.



G02998784

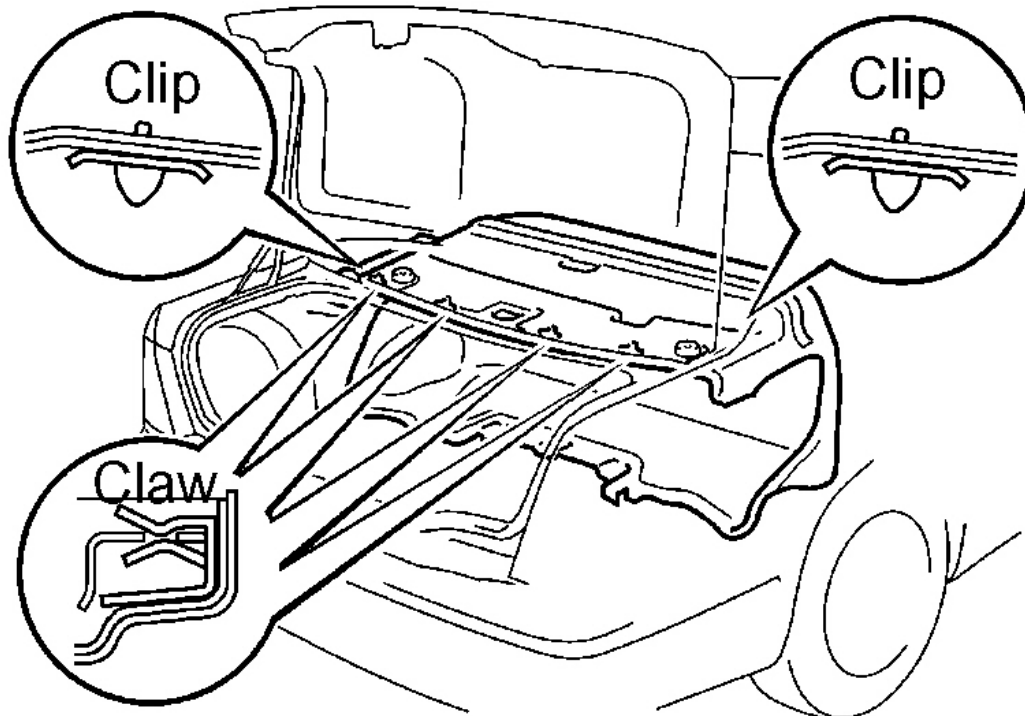
**Fig. 25: Removing 2 Clips (W/Special Utility Package)**  
Courtesy of TOYOTA MOTOR SALES, U.S.A., INC.

- g. w/ Special utility package:

Disengage the 6 claws and remove the trim cover.

- h. w/o Special utility package:

Remove the 2 clips.



G02998785

**Fig. 26: Removing 2 Clips (W/O Special Utility Package)**  
Courtesy of TOYOTA MOTOR SALES, U.S.A., INC.

- i. w/o Special utility package:

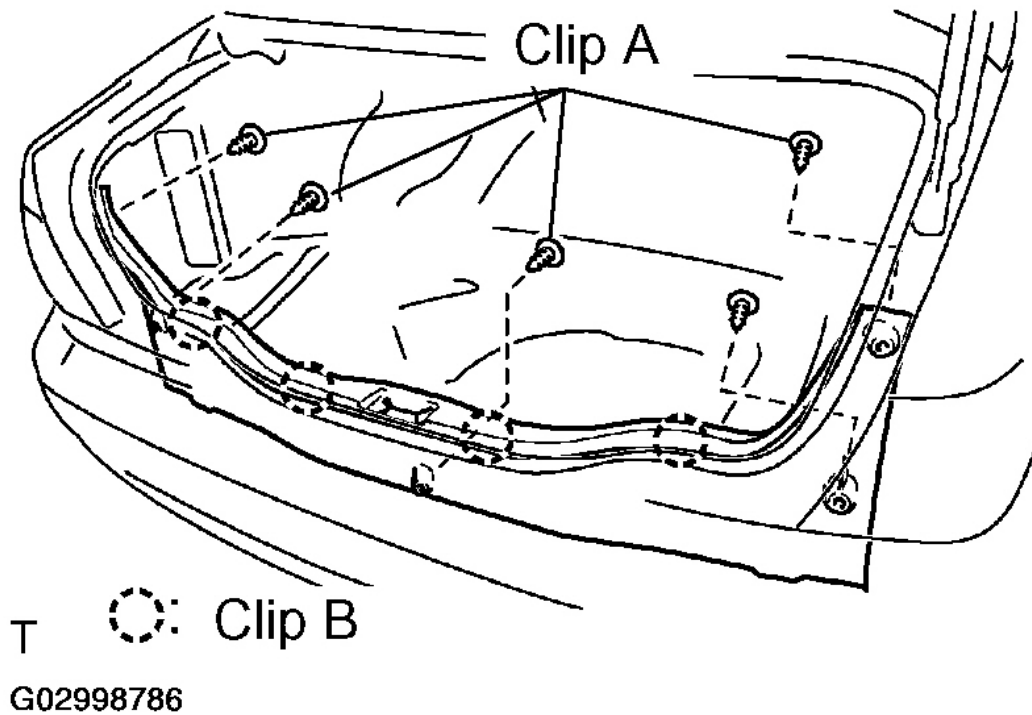
Disengage the 4 claws and remove the trim cover.

### 3. REMOVE REAR FLOOR FINISH PLATE

- Using a clip remover, remove the 5 clips labeled A.
- Using a screwdriver, disengage the 4 clips labeled B and remove the plate.

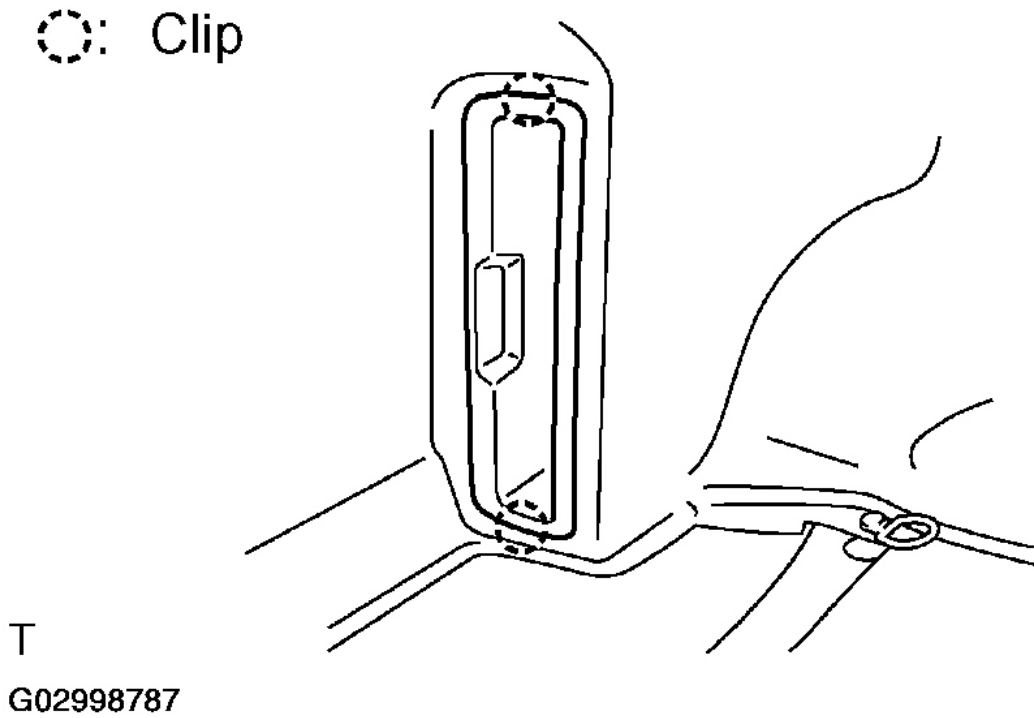
HINT:

Tape the screwdriver tip before use.



**Fig. 27: Removing Rear Floor Finish Plate**  
Courtesy of TOYOTA MOTOR SALES, U.S.A., INC.

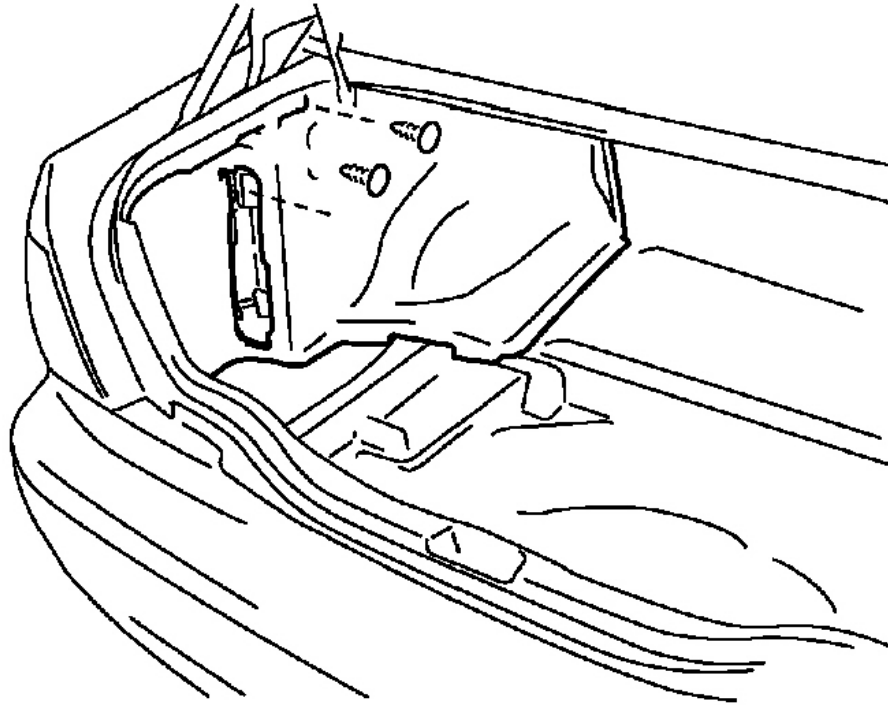
4. **REMOVE LUGGAGE COMPARTMENT TRIM COVER ASSY LH**
  - a. Remove the tool bag.
  - b. Remove the side trim tool bag cover.



**Fig. 28: Removing Side Trim Tool Bag Cover**  
Courtesy of TOYOTA MOTOR SALES, U.S.A., INC.

- c. Using a clip remover, remove the 2 clips and trim cover.





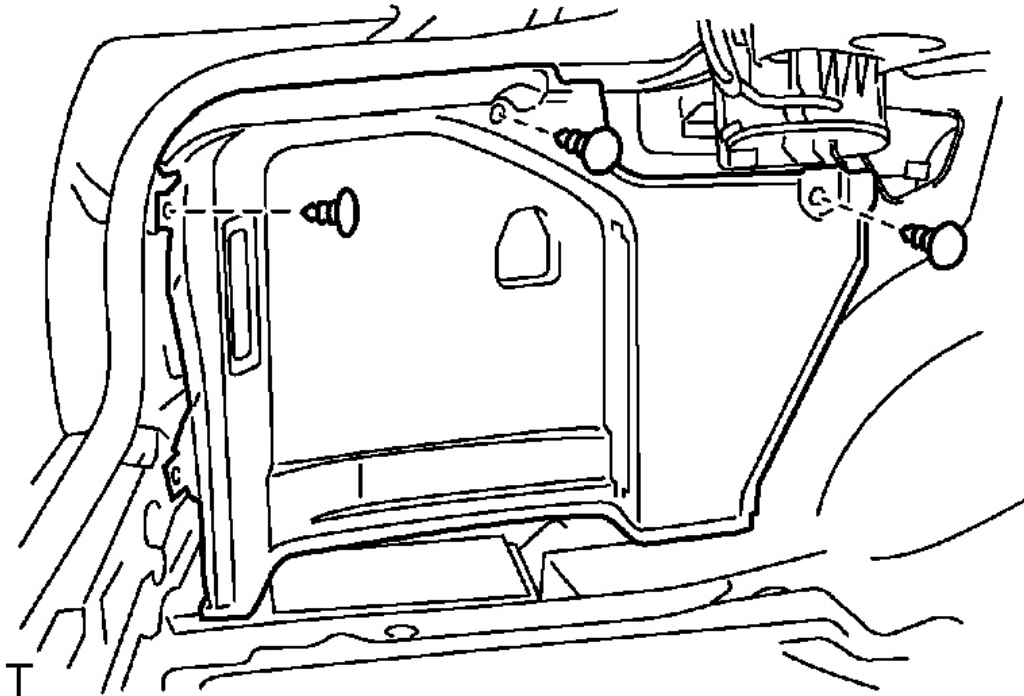
T

G02998788

**Fig. 29: Removing 2 Clips And Trim Cover**  
Courtesy of TOYOTA MOTOR SALES, U.S.A., INC.

d. w/ Special utility package:

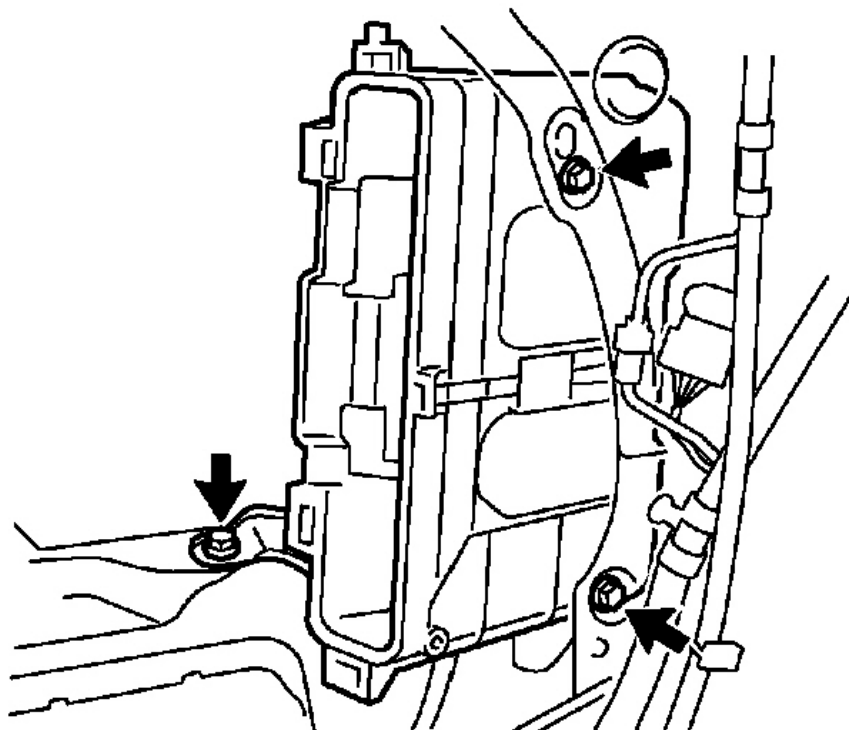
Using a clip remover, remove the 3 clips and trim cover.



G02998789

**Fig. 30: Removing 3 Clips And Trim Cover (W/Special Utility Package)**  
Courtesy of TOYOTA MOTOR SALES, U.S.A., INC.

- e. Remove the 3 bolts and tool box.



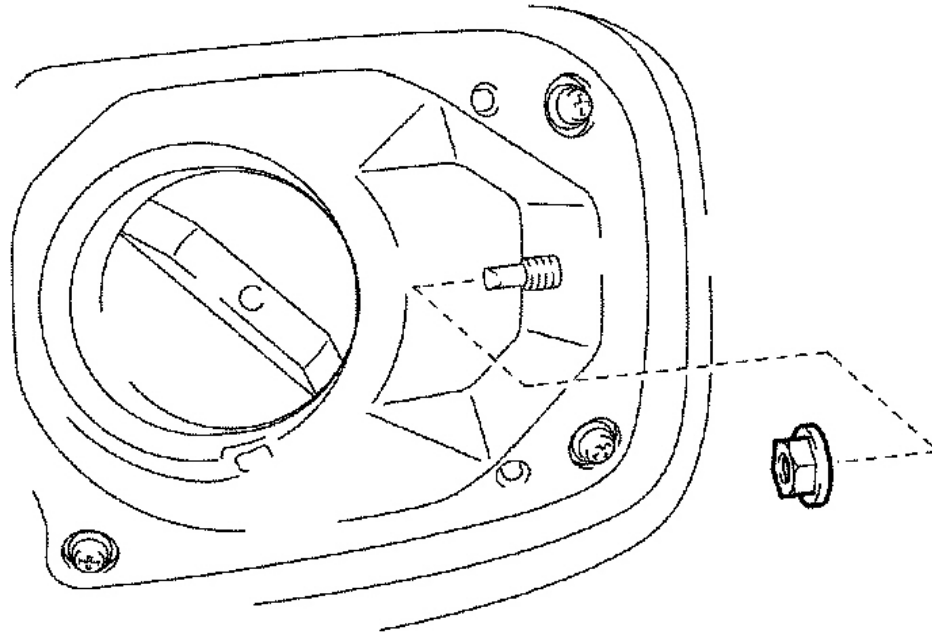
T

G02998790

**Fig. 31: Removing 3 Bolts And Tool Box**  
Courtesy of TOYOTA MOTOR SALES, U.S.A., INC.

**5. REMOVE FUEL LID LOCK CONTROL ASSY**

- a. Remove the nut.

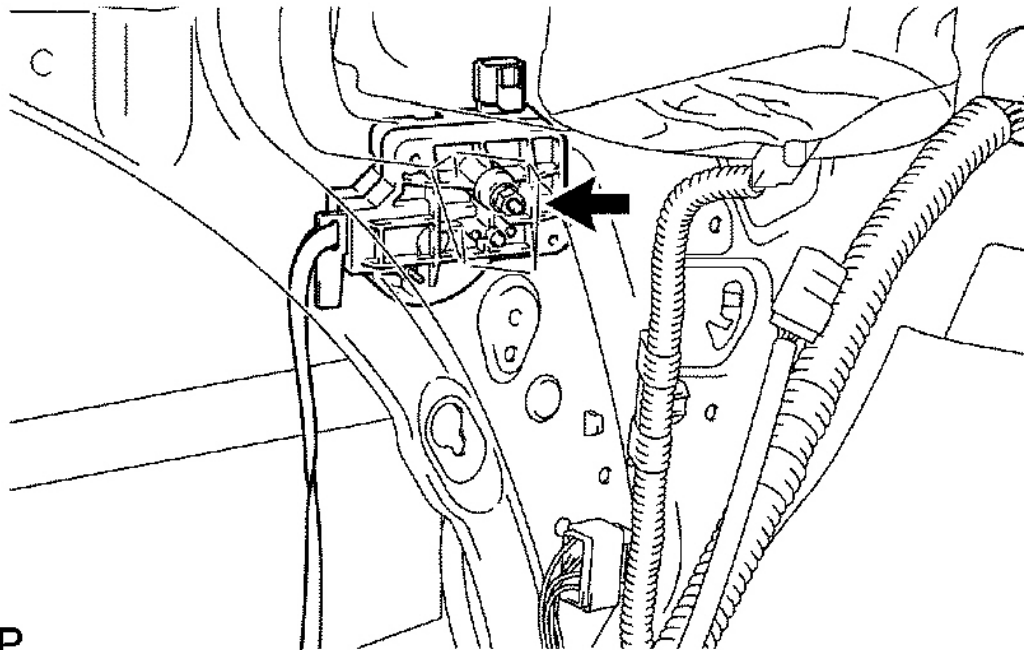


P

G02998791

**Fig. 32: Removing Fuel Lid Lock Control Nut**  
Courtesy of TOYOTA MOTOR SALES, U.S.A., INC.

- b. Disconnect the connector.
- c. Remove the nut and control.



P

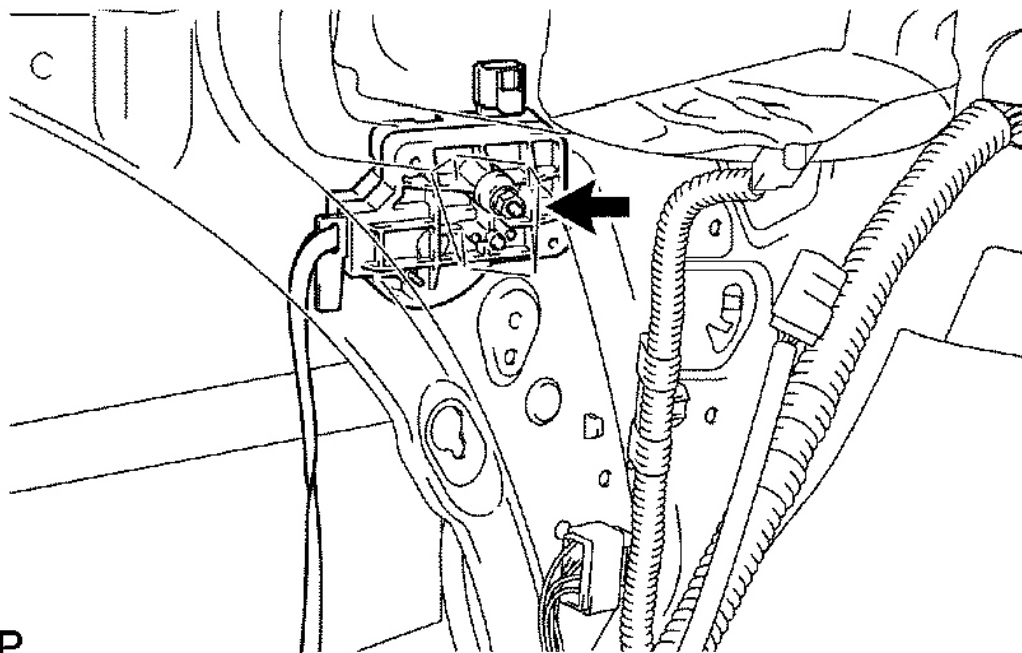
G02998792

**Fig. 33: Removing Nut And Control**  
Courtesy of TOYOTA MOTOR SALES, U.S.A., INC.

**6. INSTALL FUEL LID LOCK CONTROL ASSY**

- a. Install the control with the nut.

**Torque: 8.0 N.m (82 kgf.cm, 71 in.lbf)**



P

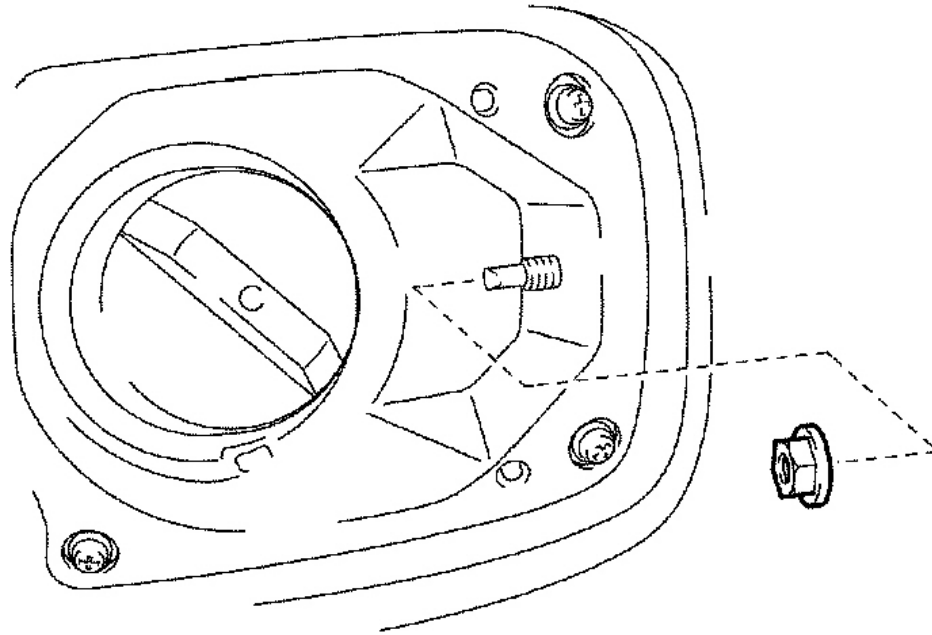
G02998793

**Fig. 34: Installing Control With Nut**

Courtesy of TOYOTA MOTOR SALES, U.S.A., INC.

- b. Connect the connector.
- c. Tighten the nut.

**Torque: 11.5 N.m (117 kgf.cm, 8 ft.lbf)**



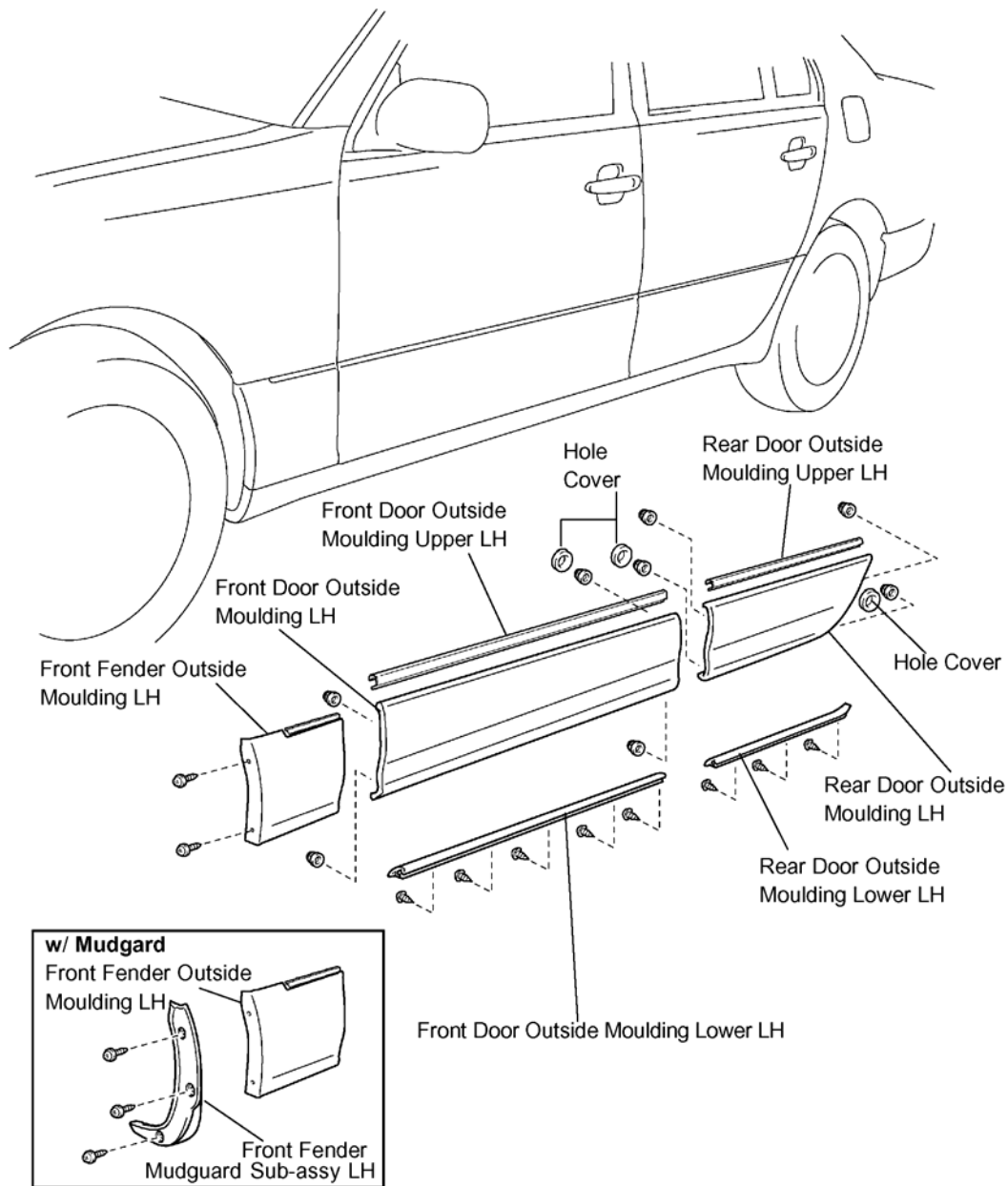
P

G02998794

**Fig. 35: Tightening Fuel Lid Lock Control Nut**  
Courtesy of TOYOTA MOTOR SALES, U.S.A., INC.

## OUTSIDE MOLDING

### COMPONENTS



T  
G02998795

**Fig. 36: Removing And Installing Outside Molding**  
 Courtesy of TOYOTA MOTOR SALES, U.S.A., INC.

**REPLACEMENT**

**HINT:**

- Use the same procedures for the RH side and LH side.
- The procedures listed below are for the LH side.



## 2006 Lexus LS 430

2006 ACCESSORIES & EQUIPMENT Exterior/Interior Trim - LS430

- When replacing the molding, heat the body and molding using a heat light.

**Heating temperature:**

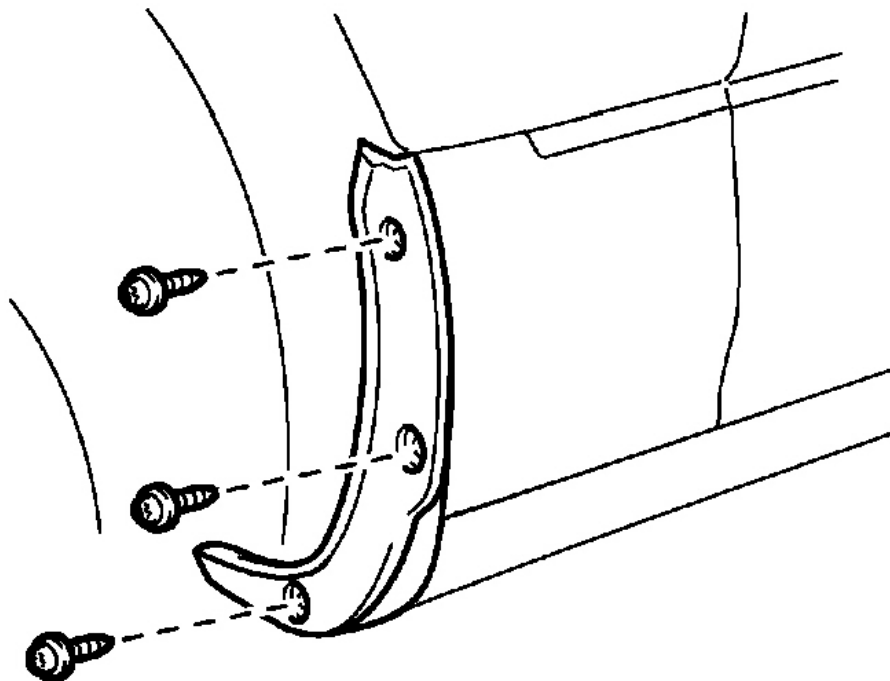
### HEATING TEMPERATURE CHART

Item	Temperature
Body	40 to 60°C (104 to 140°F)
Molding	20 to 30°C (68 to 86°F)

**NOTE:** Do not heat the body and molding excessively.

#### 1. REMOVE FRONT FENDER MUDGUARD SUB-ASSY LH (W/ MUDGUARD)

- a. Using a hexagon wrench, remove the 3 screws and mudguard.



T

G02998796

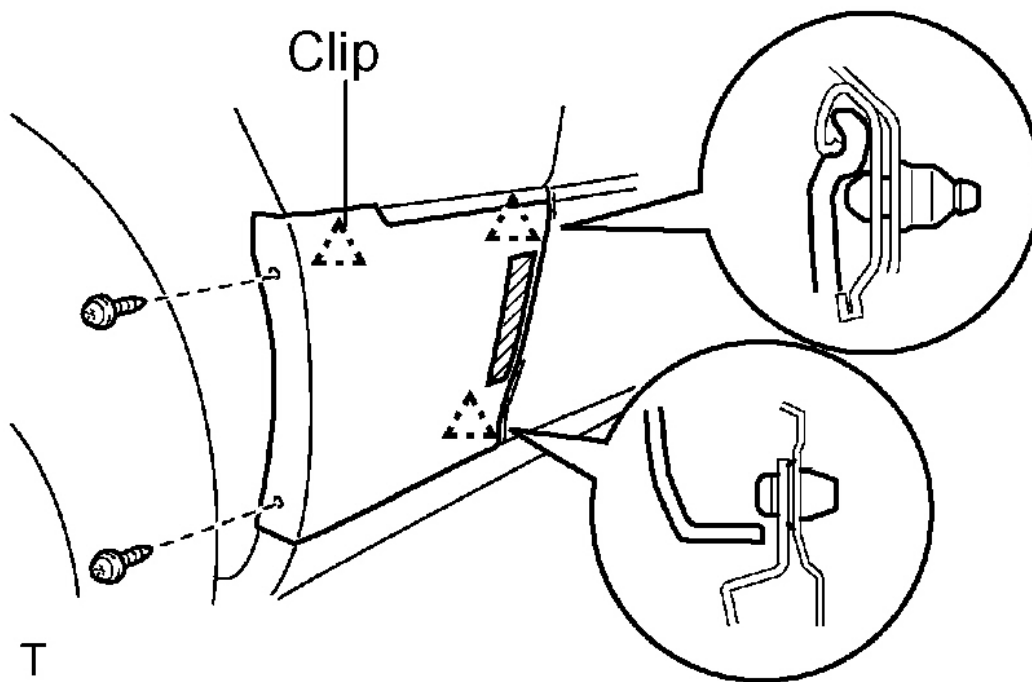
**Fig. 37: Removing Front Fender Mudguard Sub-Assy LH (W/Mudguard)**  
Courtesy of TOYOTA MOTOR SALES, U.S.A., INC.

#### 2. REMOVE FRONT FENDER OUTSIDE MOLDING LH

- a. w/o Mudguard:

Using a hexagon wrench, remove the 2 screws.

- b. Using a molding remover, pry out the molding.  
c. Pull off the molding by cutting the adhesive with a knife.  
d. Remove the molding.



T

G02998797

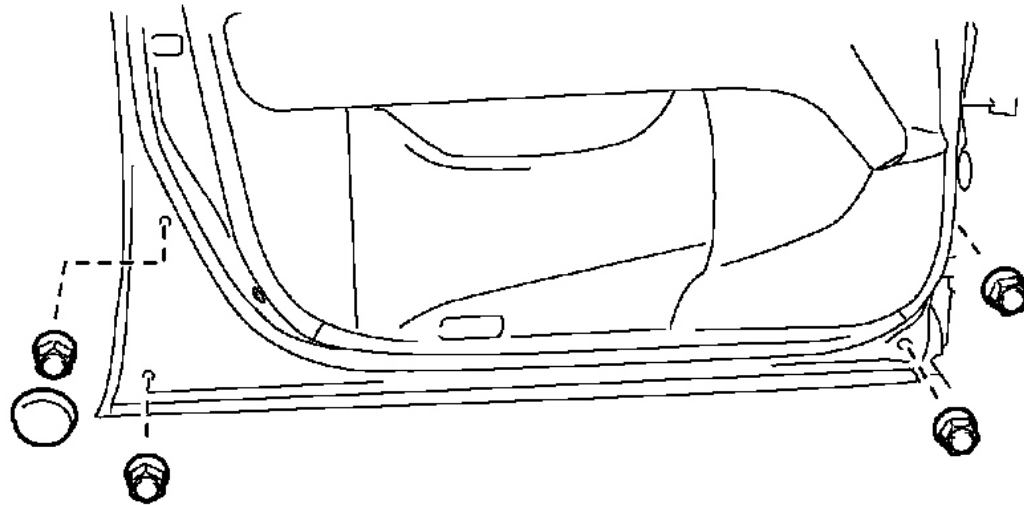
**Fig. 38: Removing Front Fender Outside Molding LH**  
Courtesy of TOYOTA MOTOR SALES, U.S.A., INC.

### 3. REMOVE FRONT DOOR OUTSIDE MOLDING LH

- a. Using a screwdriver, remove the hole cover.

HINT:

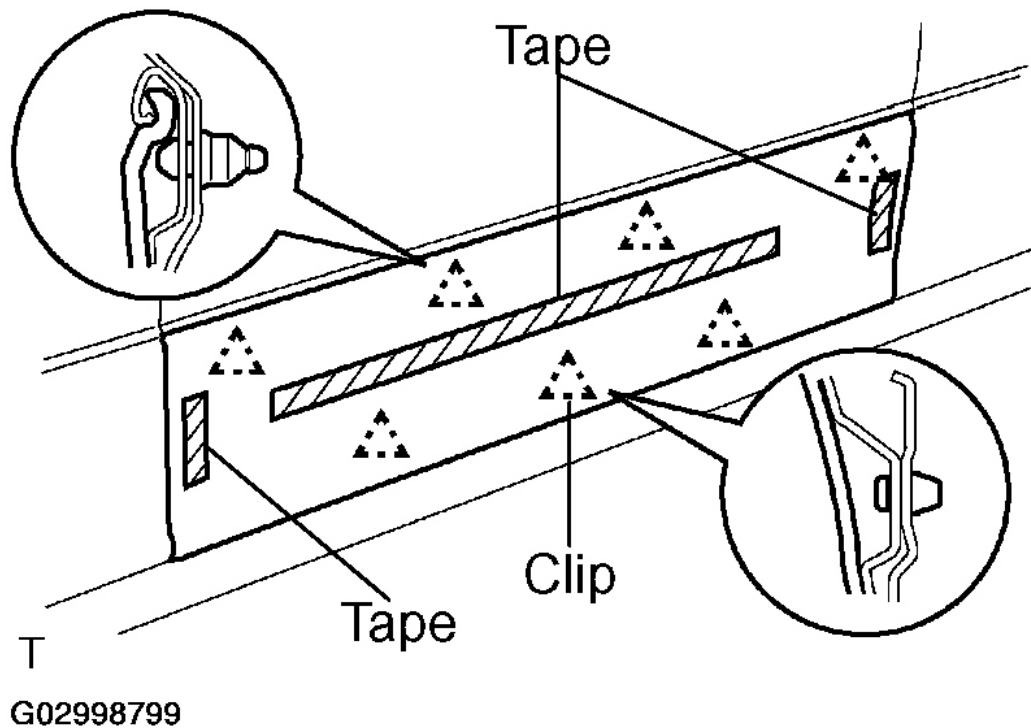
Tape the screwdriver tip before use.



T  
G02998798

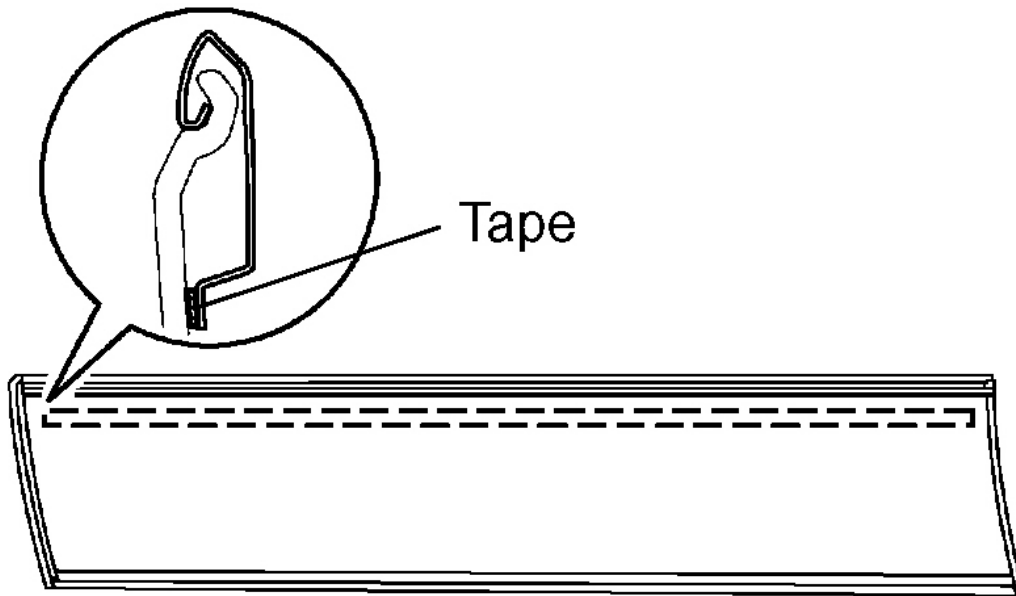
**Fig. 39: Removing Hole Cover Using Screwdriver**  
Courtesy of TOYOTA MOTOR SALES, U.S.A., INC.

- b. Remove the 4 nuts.
- c. Using a molding remover, pry out the molding.



**Fig. 40: Prying Out Molding Using Molding Remover**  
 Courtesy of TOYOTA MOTOR SALES, U.S.A., INC.

- d. Pull off the molding by cutting the adhesive with a knife.
  - e. Remove the molding.
4. **REMOVE FRONT DOOR OUTSIDE MOLDING UPPER LH**
- a. Using a molding remover, pry out the molding.
  - b. Pull off the molding by cutting the adhesive with a knife.
  - c. Remove the front door outside molding upper from the front door outside molding.



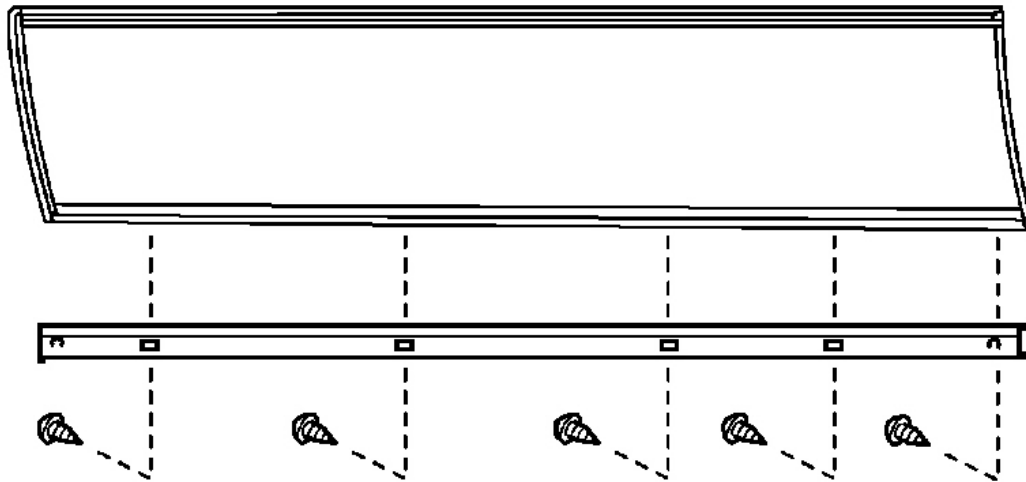
T

G02998800

**Fig. 41: Removing Front Door Outside Molding Upper LH**  
Courtesy of TOYOTA MOTOR SALES, U.S.A., INC.

**5. REMOVE FRONT DOOR OUTSIDE MOLDING LOWER LH**

- a. Remove the 5 screws and front door outside molding lower from the front door outside molding.



G02998801

**Fig. 42: Removing Front Door Outside Molding Lower LH**  
Courtesy of TOYOTA MOTOR SALES, U.S.A., INC.

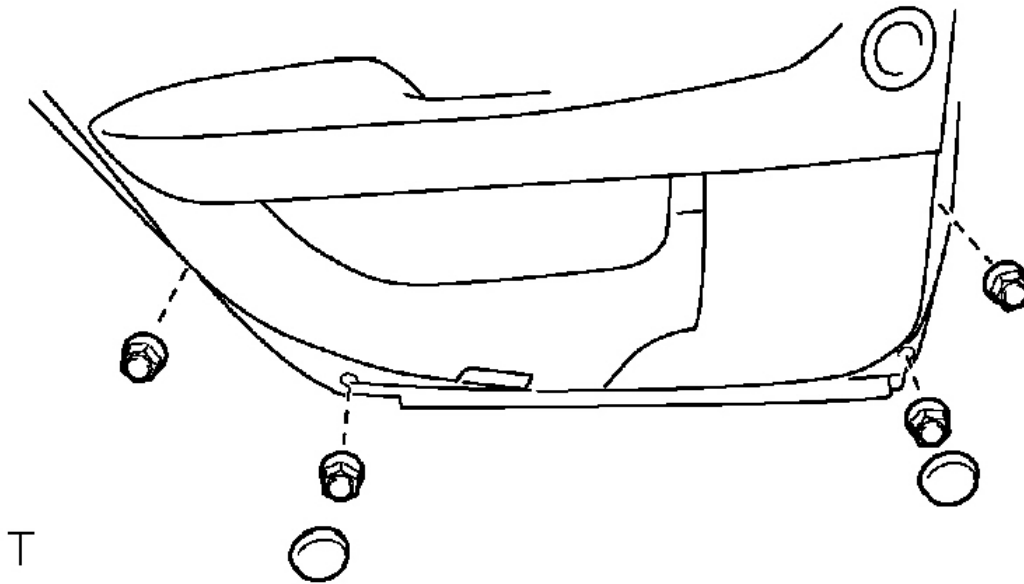
**6. REMOVE REAR DOOR OUTSIDE MOLDING LH**

- a. Using a screwdriver, remove the 2 hole covers.

HINT:

Tape the screwdriver tip before use.

- b. Remove the 4 nuts.

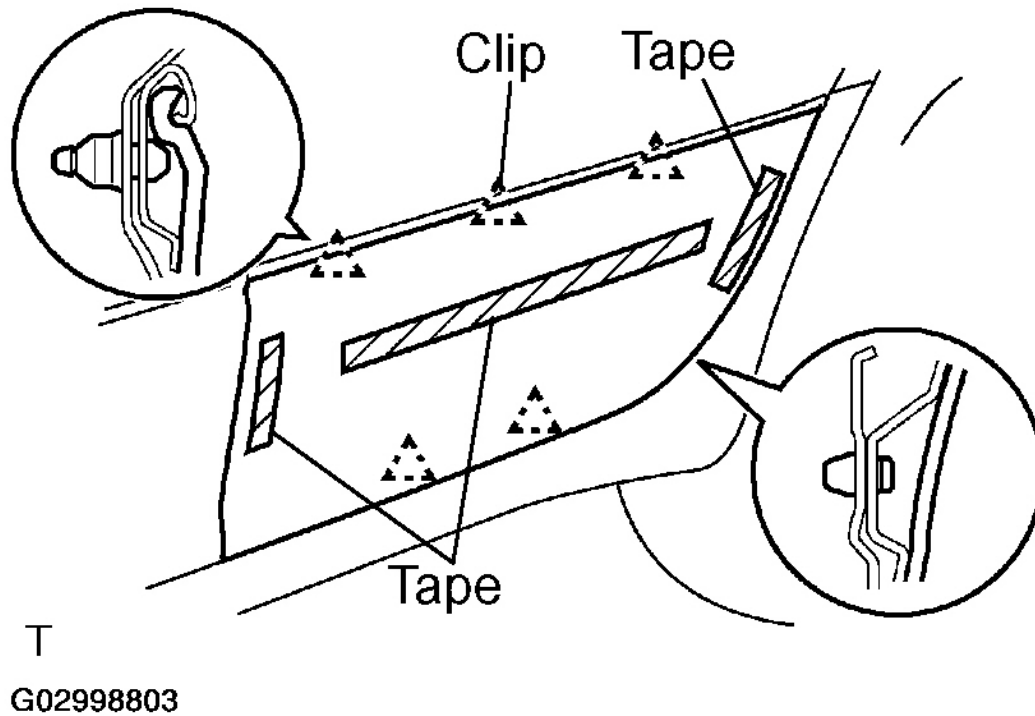


G02998802

**Fig. 43: Removing 4 Nuts**

Courtesy of TOYOTA MOTOR SALES, U.S.A., INC.

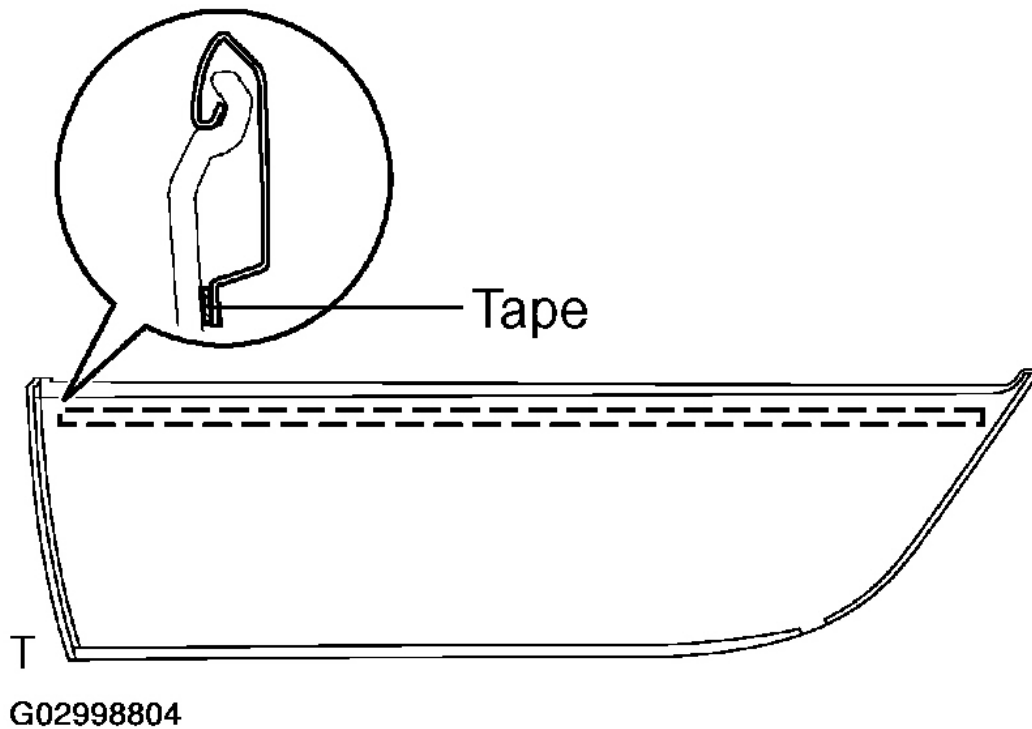
- c. Using a molding remover, pry out the molding.



**Fig. 44: Prying Out Molding Using Molding Remover**  
Courtesy of TOYOTA MOTOR SALES, U.S.A., INC.

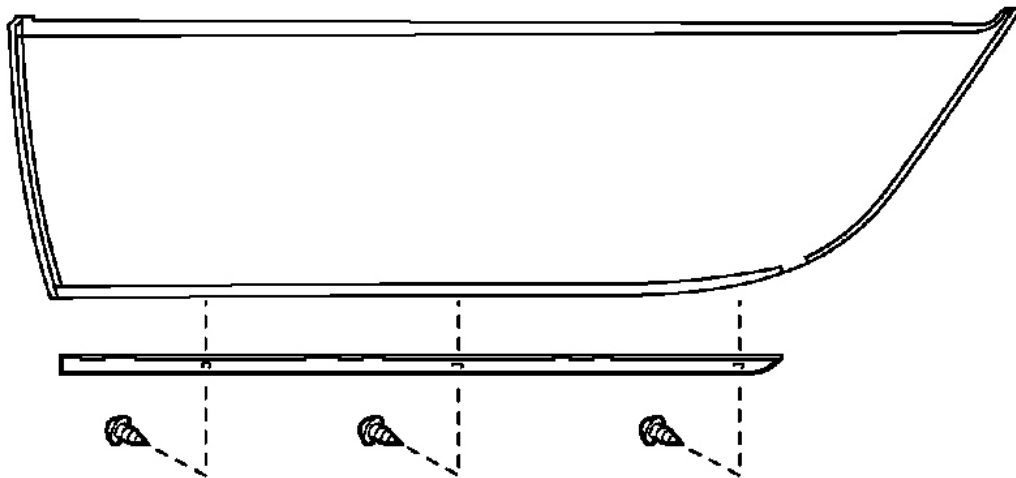
- d. Pull off the molding by cutting the adhesive with a knife.
  - e. Remove the rear door outside molding.
- 7. REMOVE REAR DOOR OUTSIDE MOLDING UPPER LH**
- a. Using a molding remover, pry out the molding.
  - b. Pull off the molding by cutting the adhesive with a knife.
  - c. Remove the rear door outside molding upper from the rear door outside molding.





**Fig. 45: Removing Rear Door Outside Molding Upper LH**  
Courtesy of TOYOTA MOTOR SALES, U.S.A., INC.

8. **REMOVE REAR DOOR OUTSIDE MOLDING LOWER LH**
  - a. Remove the 3 screws and molding.



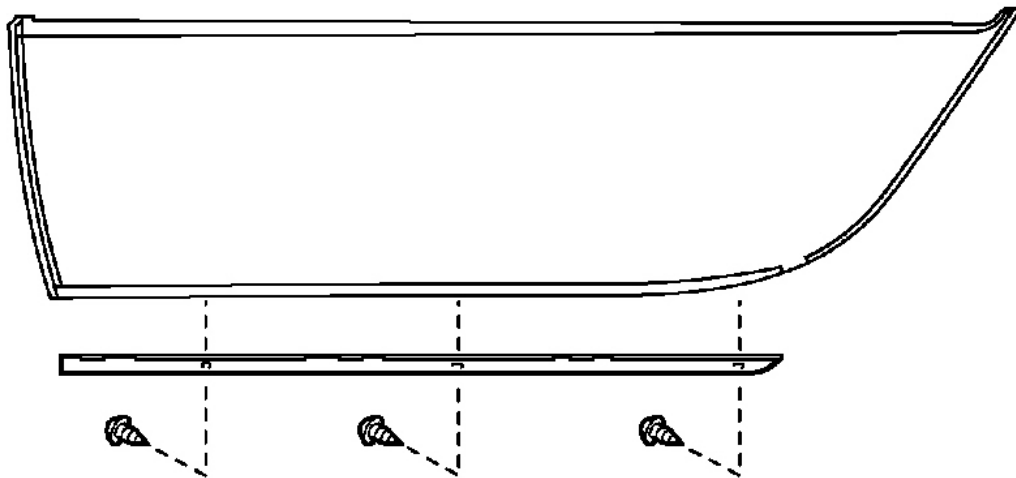
T

G02998805

**Fig. 46: Removing Rear Door Outside Molding Lower LH**  
Courtesy of TOYOTA MOTOR SALES, U.S.A., INC.

**9. INSTALL REAR DOOR OUTSIDE MOLDING LOWER LH**

- a. Install the lower molding to the rear door outside molding with the 3 screws.



T

G02998806

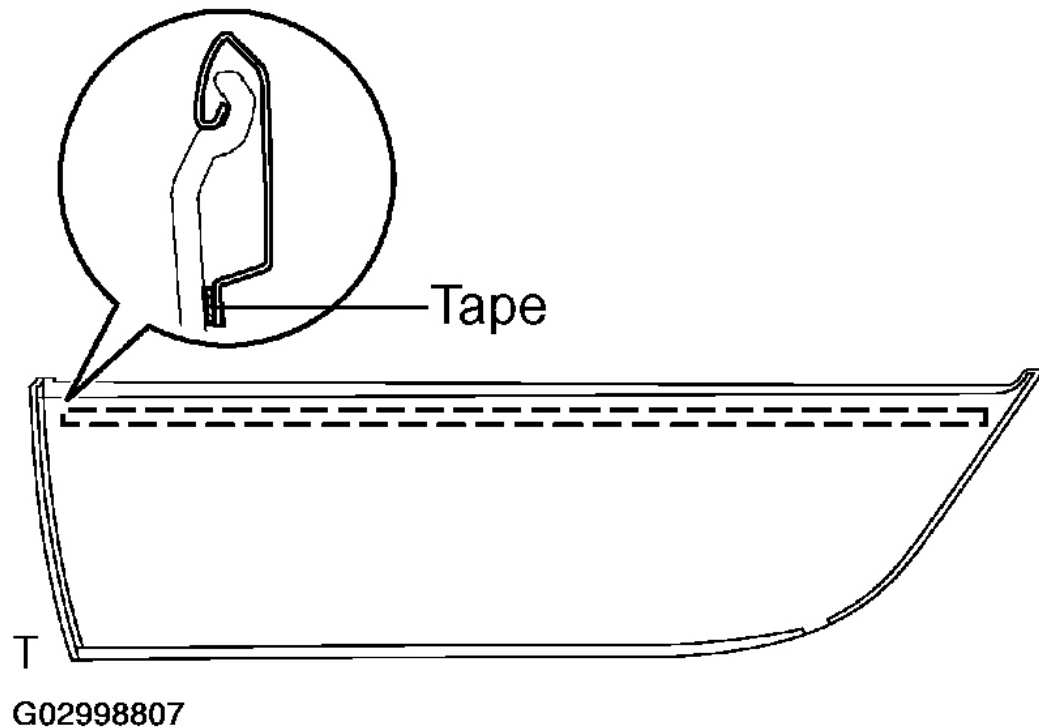
**Fig. 47: Installing Rear Door Outside Molding Lower LH**  
Courtesy of TOYOTA MOTOR SALES, U.S.A., INC.

**10. INSTALL REAR DOOR OUTSIDE molding UPPER LH**

- a. Clean the body surface.
  1. Using a heat light, heat the body surface.
  2. Remove the double-sided tape from the body.
  3. Wipe off the stains with cleaner.
- b. If reusing molding:

Clean the molding.

1. Using a heat light, heat the molding.
2. Remove the double-sided tape from the molding.
3. Wipe off the stains with cleaner.
4. Apply new double-sided tape to the molding, as shown in **Fig. 48**.



**Fig. 48: Applying Double-Sided Tape To Molding**  
Courtesy of TOYOTA MOTOR SALES, U.S.A., INC.

- c. Install the molding.
  - 1. Using a heat light, heat the body and molding.
  - 2. Remove the peeling paper from the face of the molding.

HINT:

After removing the peeling paper, keep the exposed adhesive free from dirt and other contaminants.

- d. Install the molding.

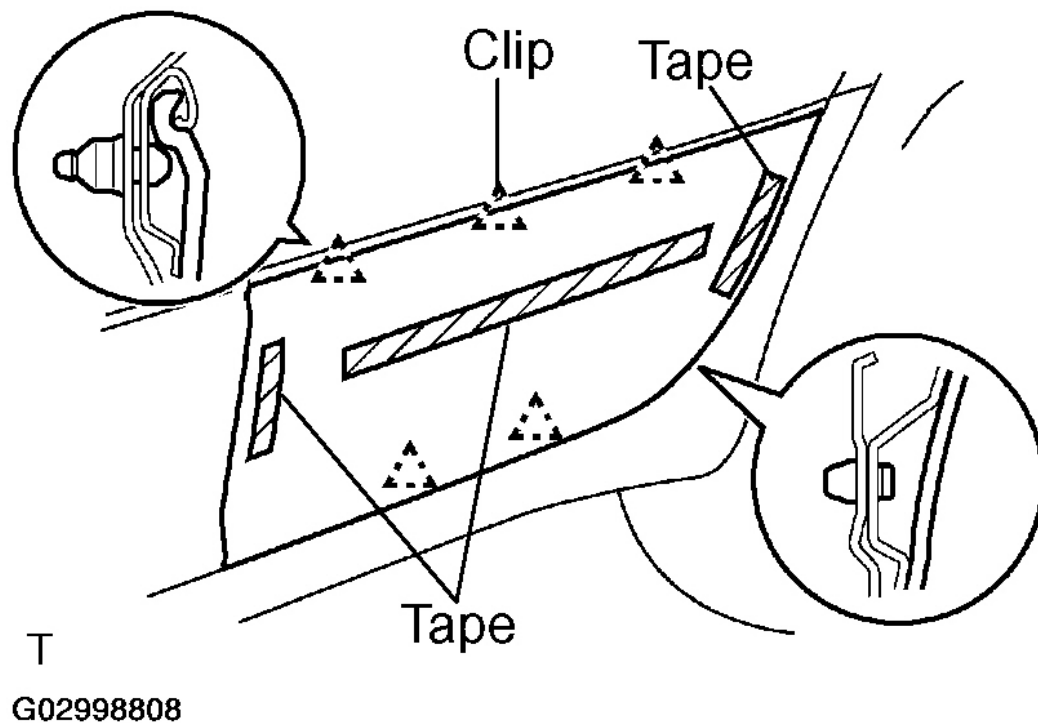
**11. INSTALL REAR DOOR OUTSIDE molding LH**

- a. Clean the body surface.
  - 1. Using a heat light, heat the body surface.
  - 2. Wipe off the stains with cleaner.

- b. If reusing molding:

Clean the molding.

1. Using a heat light, heat the molding.
2. Remove the double-sided tape from the molding.
3. Wipe off the stains with cleaner.
4. Apply new double-sided tape to the molding, as shown in **Fig. 49**.



**Fig. 49: Applying New Double-Sided Tape To Molding**  
 Courtesy of TOYOTA MOTOR SALES, U.S.A., INC.

- c. Install the molding.
  1. Using a heat light, heat the body and molding.
  2. Remove the peeling paper from the face of the molding.

**HINT:**

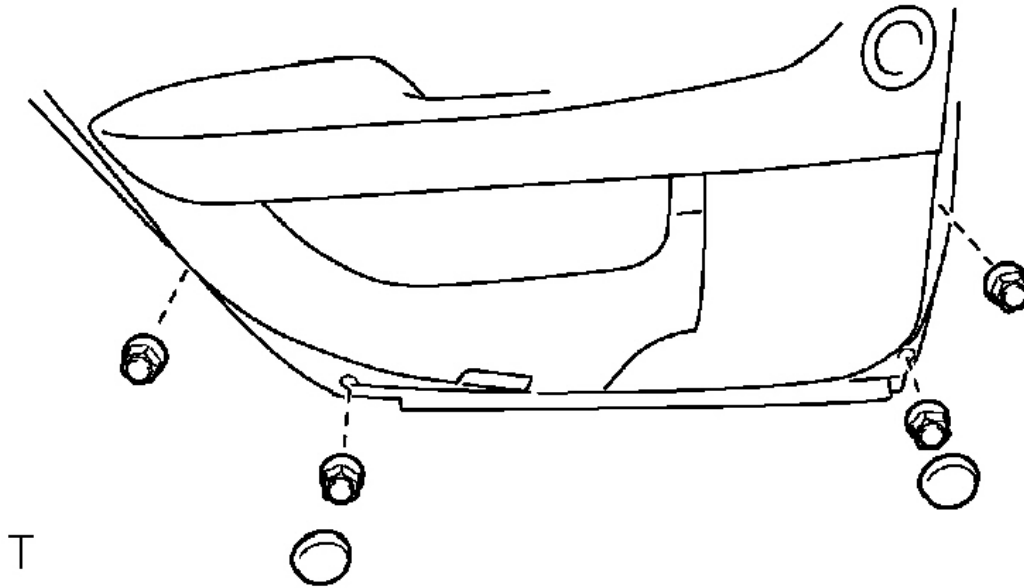
After removing the peeling paper, keep the exposed adhesive free from dirt and other contaminants.

3. Engage the 5 clips, install the molding, and firmly press on the molding.

**NOTE:** Do not apply excessive force onto the molding. Apply steady

**pressure with your thumbs.**

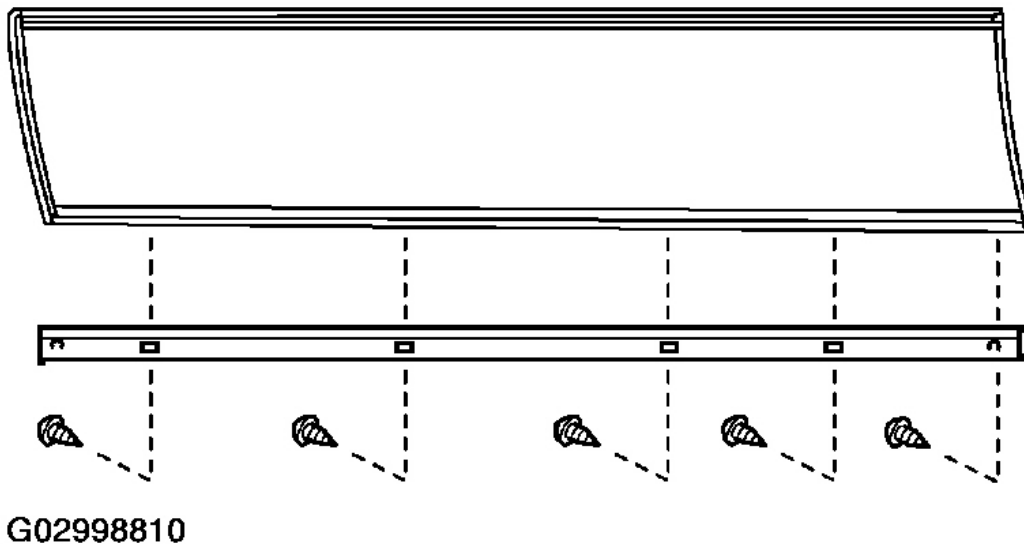
- d. Install the rear door outside molding with the 4 nuts.



G02998809

**Fig. 50: Installing Rear Door Outside Molding With Nuts**  
Courtesy of TOYOTA MOTOR SALES, U.S.A., INC.

- e. Install the 2 hole covers.
12. **INSTALL FRONT DOOR OUTSIDE MOLDING LOWER LH**
- a. Install the lower molding to the outside molding with the 5 screws.



**Fig. 51: Installing Front Door Outside Molding Lower LH**  
Courtesy of TOYOTA MOTOR SALES, U.S.A., INC.

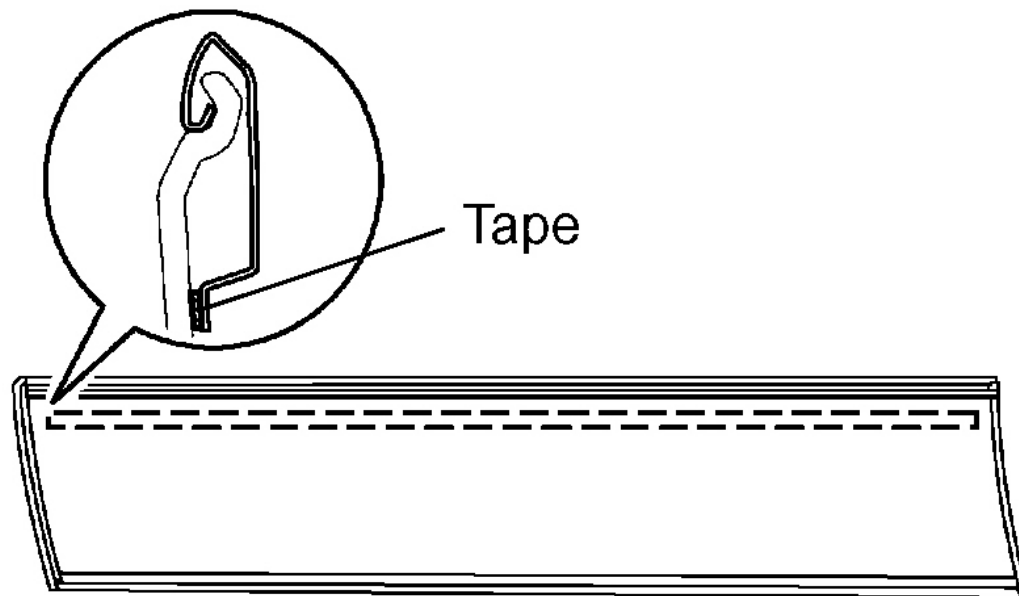
**13. INSTALL FRONT DOOR OUTSIDE MOLDING UPPER LH**

- a. Clean the body surface.
  1. Using a heat light, heat the body surface.
  2. Remove the double-sided tape from the body.
  3. Wipe off the stains with cleaner.

b. If reusing molding:

Clean the molding.

1. Using a heat light, heat the molding.
2. Remove the double-sided tape from the molding.
3. Wipe off the stains with cleaner.
4. Apply new double-sided tape to the molding, as shown in **Fig. 52** .



T

G02998811

**Fig. 52: Applying Double-Sided Tape To Molding**  
Courtesy of TOYOTA MOTOR SALES, U.S.A., INC.

- c. Install the molding.
  1. Using a heat light, heat the body and molding.
  2. Release the peeling paper from the face of the molding.

HINT:

After removing the peeling paper, keep the exposed adhesive free from dirt and other contaminants.

3. Install the molding.

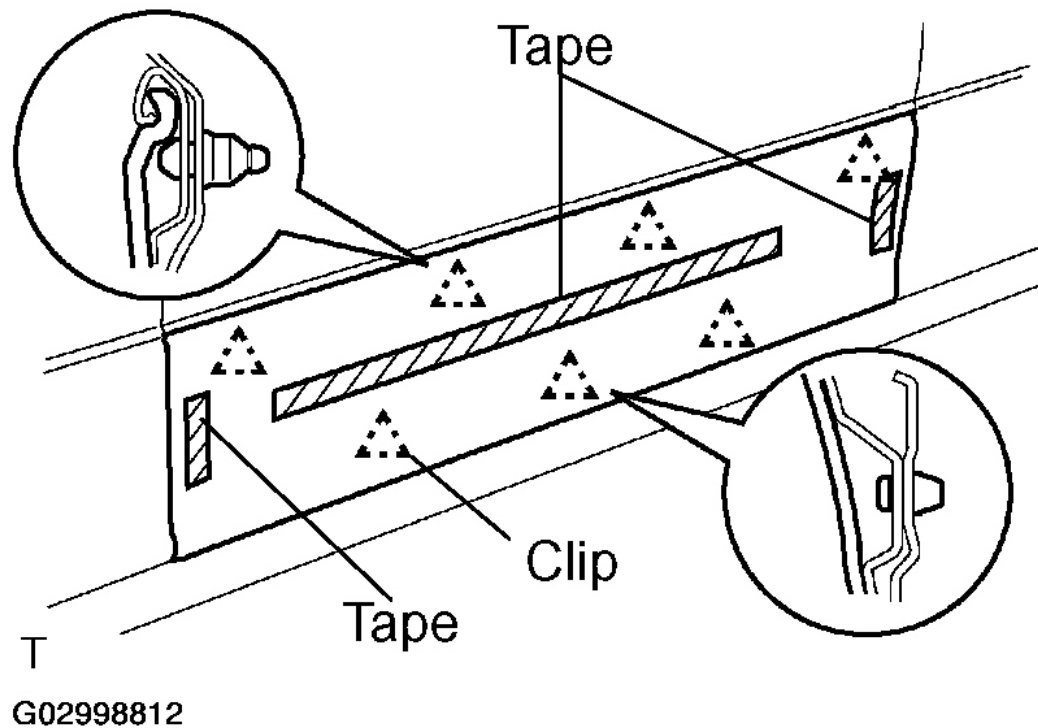
#### 14. **INSTALL FRONT DOOR OUTSIDE molding LH**

- a. Clean the body surface.
  1. Using a heat light, heat the body surface.
  2. Remove the double-sided tape from the body.
  3. Wipe off the stains with cleaner.
- b. If reusing molding:



Clean the molding.

1. Using a heat light, heat the molding.
2. Remove the double-sided tape from the molding.
3. Wipe off the stains with cleaner.
4. Apply new double-sided tape to the molding, as shown in **Fig. 53**.



**Fig. 53: Applying New Double-Sided Tape To Molding**  
Courtesy of TOYOTA MOTOR SALES, U.S.A., INC.

- c. Install the molding.
1. Using a heat light, heat the body and molding.
  2. Remove the peeling paper from the face of the molding.

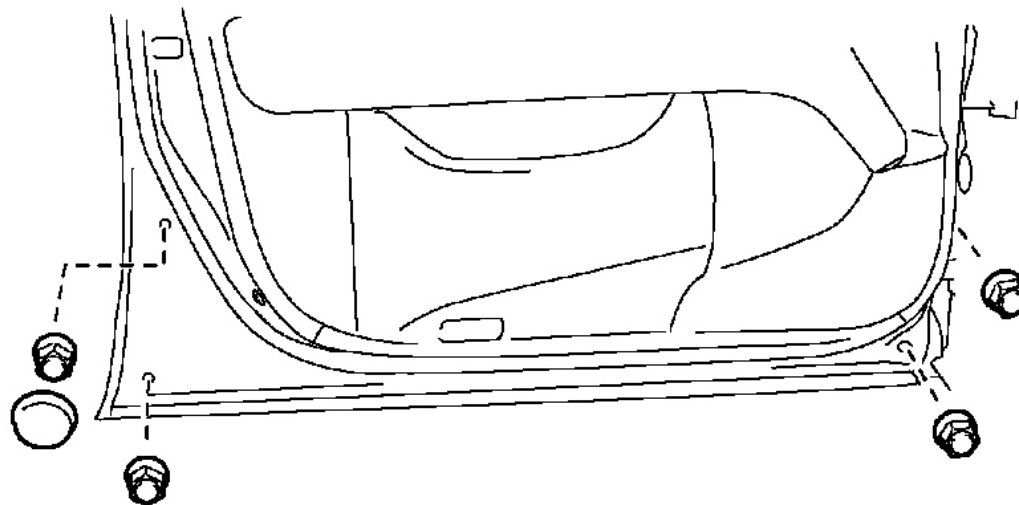
HINT:

After removing the peeling paper, keep the exposed adhesive free from dirt and other contaminants.

3. Engage the 7 clips and install the molding, and firmly press on the molding.

**NOTE:** Do not apply excessive force onto the molding. Apply steady pressure with your thumbs.

- d. Install the molding with the 4 nuts.



T

G02998813

**Fig. 54: Installing Molding With Nuts**

Courtesy of TOYOTA MOTOR SALES, U.S.A., INC.

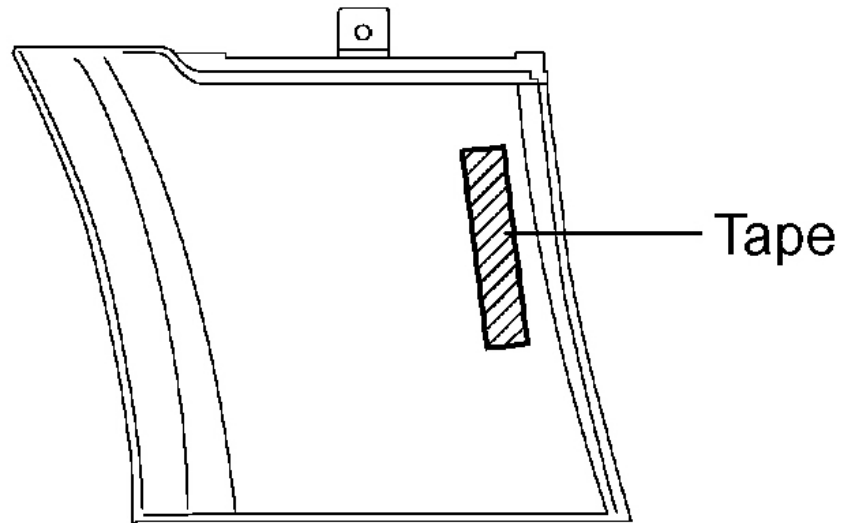
- e. Install the hole cover.

**15. INSTALL FRONT FENDER OUTSIDE molding LH**

- a. Clean the body surface.
1. Using a heat light, heat the body surface.
  2. Remove the double-sided tape from the body.
  3. Wipe off the stains with cleaner.
- b. If reusing molding:

Clean the molding.

1. Remove the double-sided tape from the molding.
2. Wipe off the stains with cleaner.
3. Apply new double-sided tape to the molding, as shown in **Fig. 55**.



T  
G02998814

**Fig. 55: Applying New Double-Sided Tape To Molding**  
Courtesy of TOYOTA MOTOR SALES, U.S.A., INC.

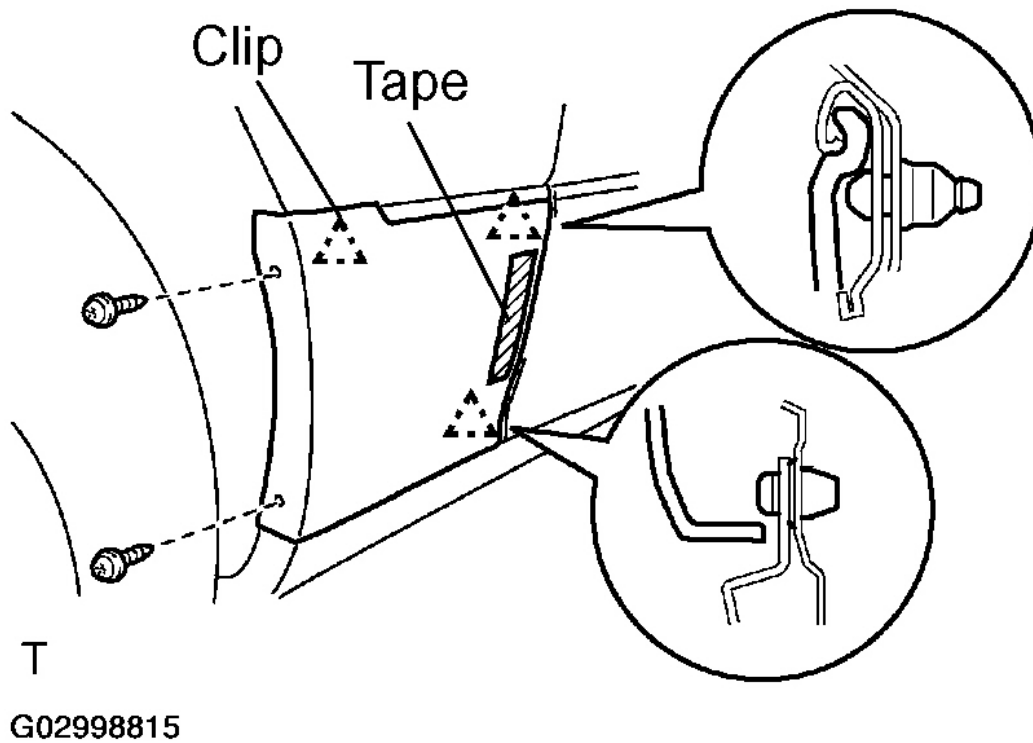
- c. Install the molding.
  - 1. Using a heat light, heat the body and molding.
  - 2. Remove the peeling paper from the face of the molding.

HINT:

After removing the peeling paper, keep the exposed adhesive free from dirt and other contaminants.

- d. Install the molding.
- e. w/o Mudguard:

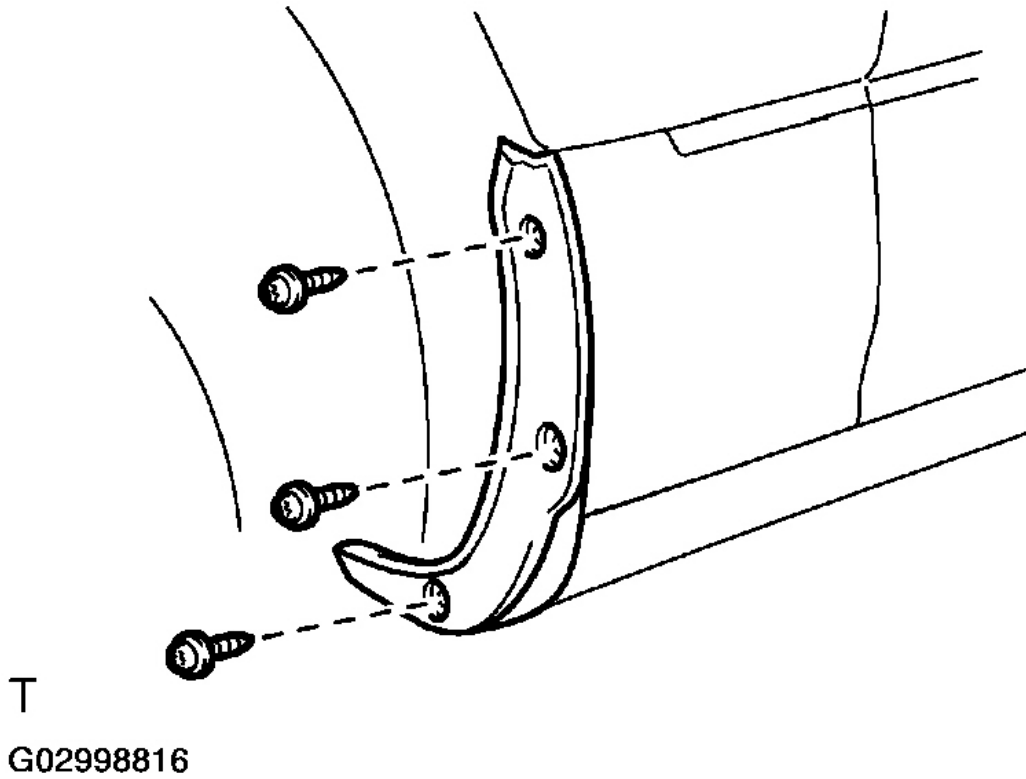
Using a hexagon wrench, install the 2 screws.



**Fig. 56: Installing Front Fender Outside Moulding LH (W/O Mudguard)**  
Courtesy of TOYOTA MOTOR SALES, U.S.A., INC.

**f. INSTALL FRONT FENDER MUDGUARD SUB-ASSY LH (W/ MUDGUARD)**

- a. Using a hexagon wrench, install the mudguard with the 3 screws.



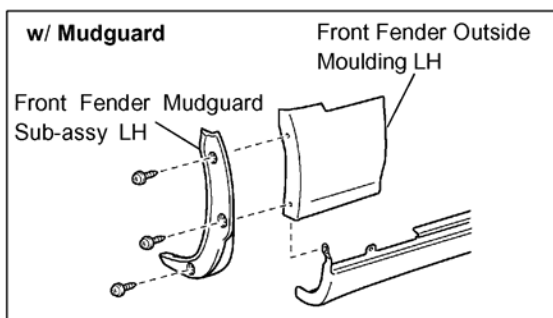
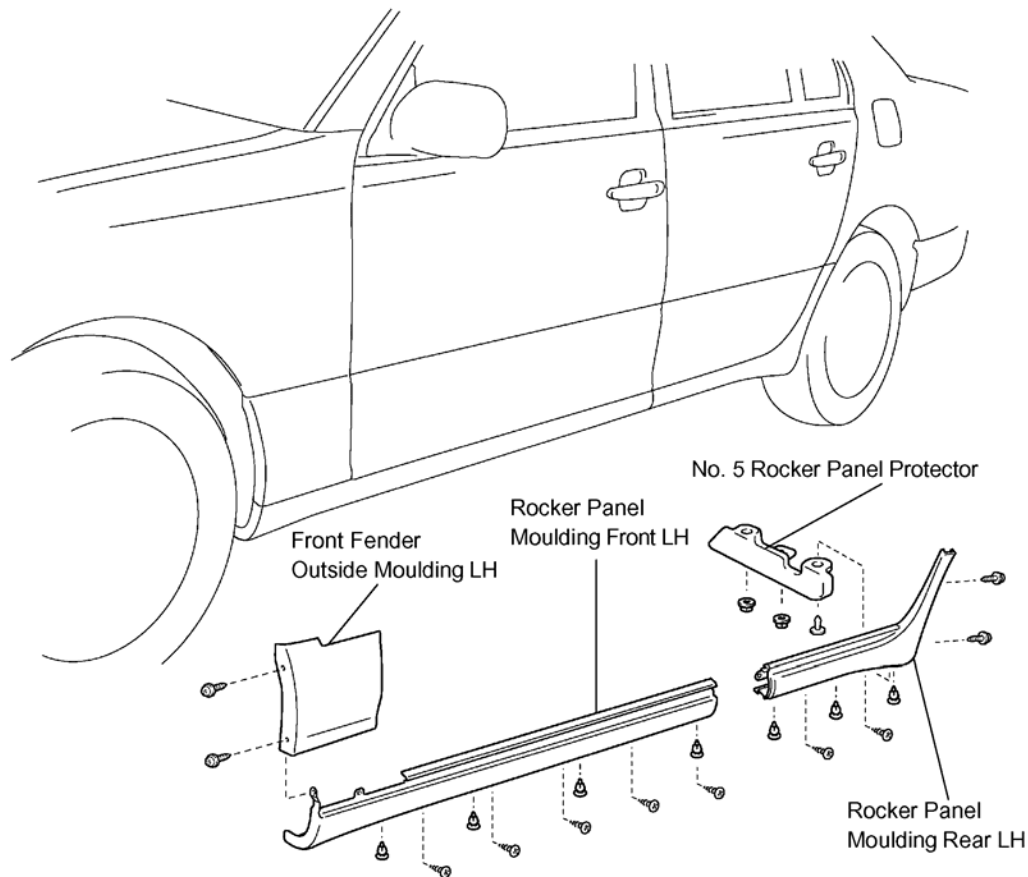
**Fig. 57: Installing Front Fender Mudguard Sub-Assy LH (W/Mudguard)**  
Courtesy of TOYOTA MOTOR SALES, U.S.A., INC.

## ROCKER PANEL MOLDING

### COMPONENTS

## 2006 Lexus LS 430

2006 ACCESSORIES & EQUIPMENT Exterior/Interior Trim - LS430



T  
G02998817

**Fig. 58: Removal And Installation of Rocker Panel Molding**  
Courtesy of TOYOTA MOTOR SALES, U.S.A., INC.

### REPLACEMENT

#### HINT:

- Use the same procedures for the RH side and LH side.
- The procedures listed below are for the LH side.

## 2006 Lexus LS 430

### 2006 ACCESSORIES & EQUIPMENT Exterior/Interior Trim - LS430

- A bolt without a torque specification is shown in the standard bolt chart (see **SPECIFIED TORQUE FOR STANDARD BOLTS** ).
- When replacing the molding, heat the body and molding using a heat light.

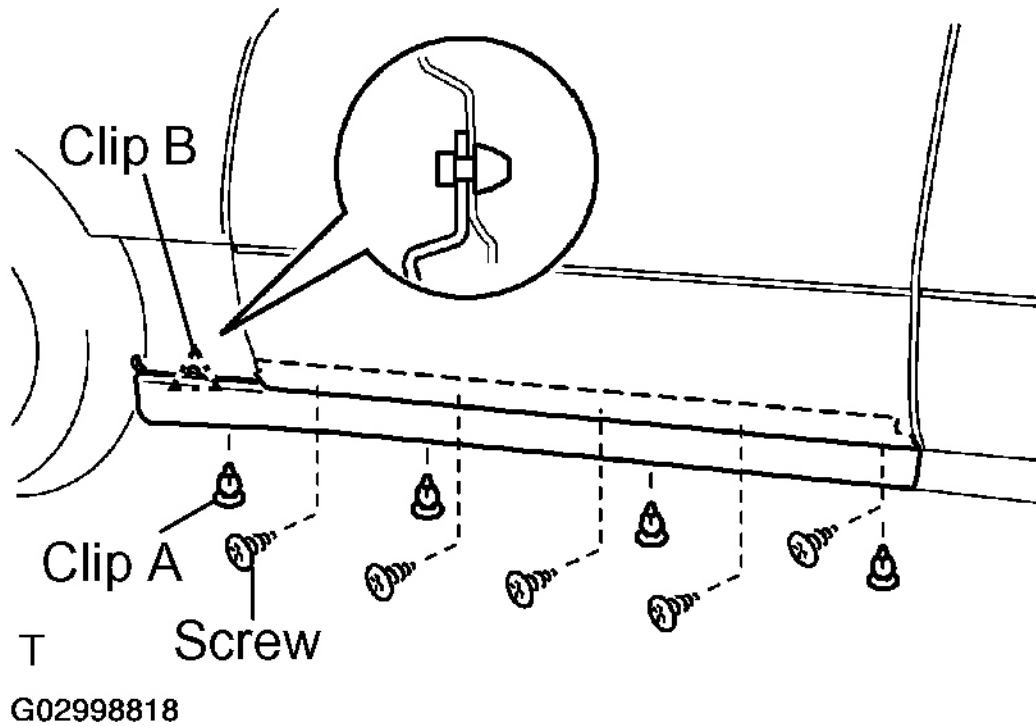
#### Heating temperature:

#### HEATING TEMPERATURE CHART

Item	Temperature
Body	40 to 60°C (104 to 140°F)
molding	20 to 30°C (68 to 86°F)

**NOTE:** Do not heat the body and molding excessively.

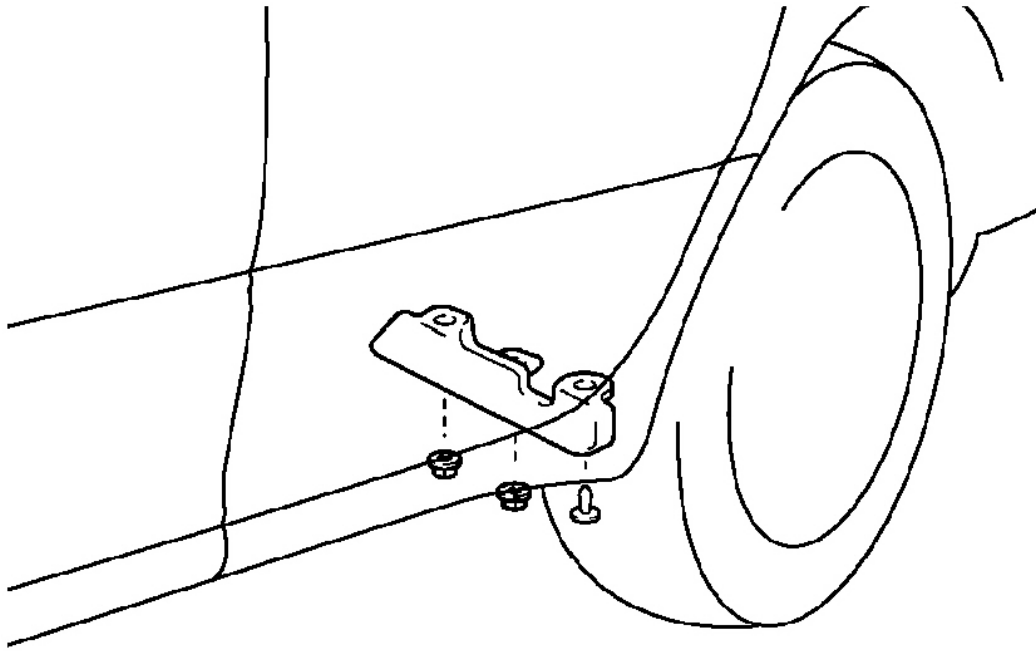
1. **REMOVE FRONT FENDER MUDGUARD SUB-ASSY LH (W/ MUDGUARD)**
  - a. Remove the 3 screws and mudguard.
2. **REMOVE FRONT FENDER OUTSIDE MOLDING LH (See REPLACEMENT )**
3. **REMOVE ROCKER PANEL MOLDING FRONT LH**
  - a. Remove the 5 screws and the 4 clips labeled A.
  - b. Using a molding remover, disengage the clip labeled B and remove the molding.



**Fig. 59: Removing Rocker Panel molding Front LH**  
Courtesy of TOYOTA MOTOR SALES, U.S.A., INC.

4. **REMOVE ROCKER PANEL MOLDING REAR LH**
  - a. Remove the 2 nuts, clip and No. 5 rocker panel protector.

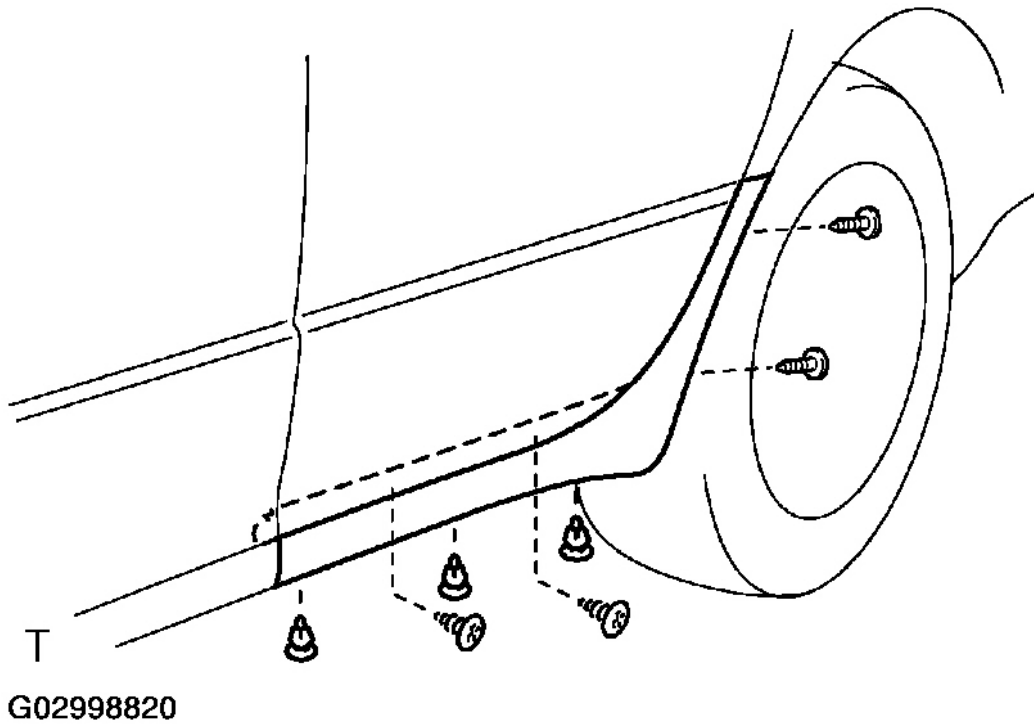




G02998819

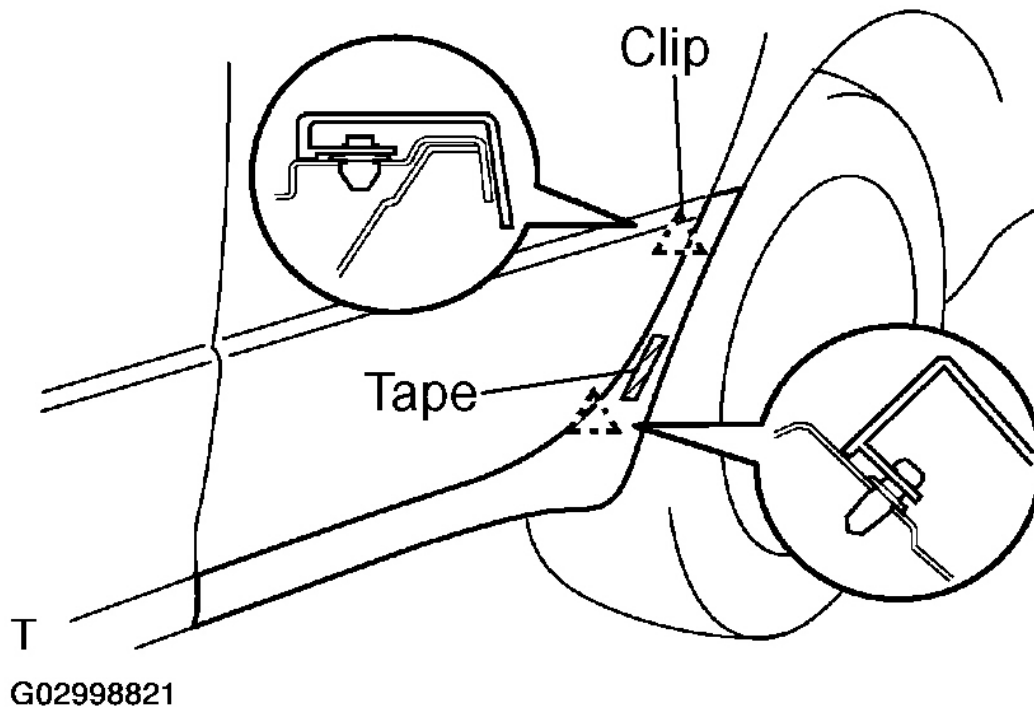
**Fig. 60: Removing Nuts, Clip And No. 5 Rocker Panel Protector**  
Courtesy of TOYOTA MOTOR SALES, U.S.A., INC.

- b. Remove the 2 screws, 2 hexagon screws and 3 clips.



**Fig. 61: Removing Screws, Hexagon Screws And Clips**  
Courtesy of TOYOTA MOTOR SALES, U.S.A., INC.

- c. Using a molding remover, remove the molding.



**Fig. 62: Removing Molding**

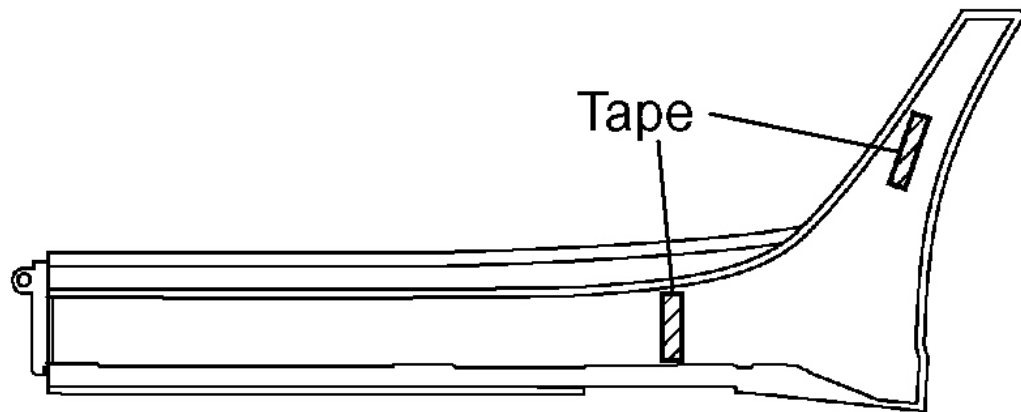
Courtesy of TOYOTA MOTOR SALES, U.S.A., INC.

#### 5. INSTALL ROCKER PANEL MOLDING REAR LH

- a. Clean the body surface.
  1. Using a heat light, heat the body surface.
  2. Remove the double-sided tape from the body.
  3. Wipe off the stains with cleaner.
- b. If reusing molding:

Clean the molding.

1. Using a heat light, heat the molding.
2. Remove the double-sided tape from the molding.
3. Wipe off the stains with cleaner.
4. Apply new double-sided tape to the molding, as shown in **Fig. 63**.



T

G02998822

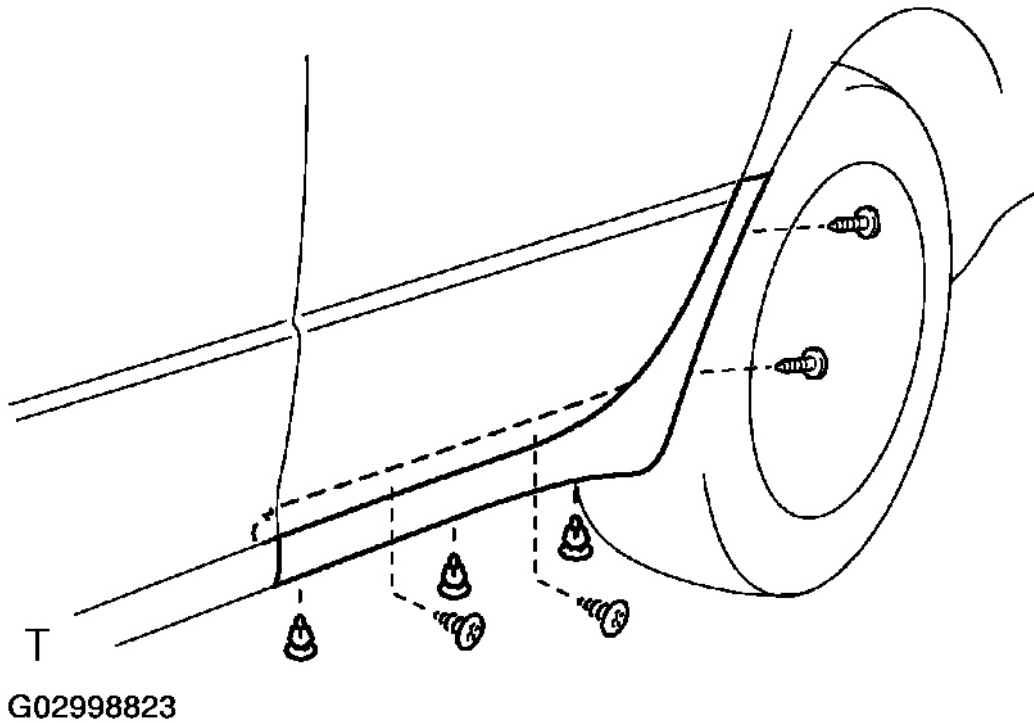
**Fig. 63: Applying Double-Sided Tape To Molding**  
Courtesy of TOYOTA MOTOR SALES, U.S.A., INC.

- c. Install the molding.
  1. Using a heat light, heat the body and molding.
  2. Remove the peeling paper from the face of the molding.

**HINT:**

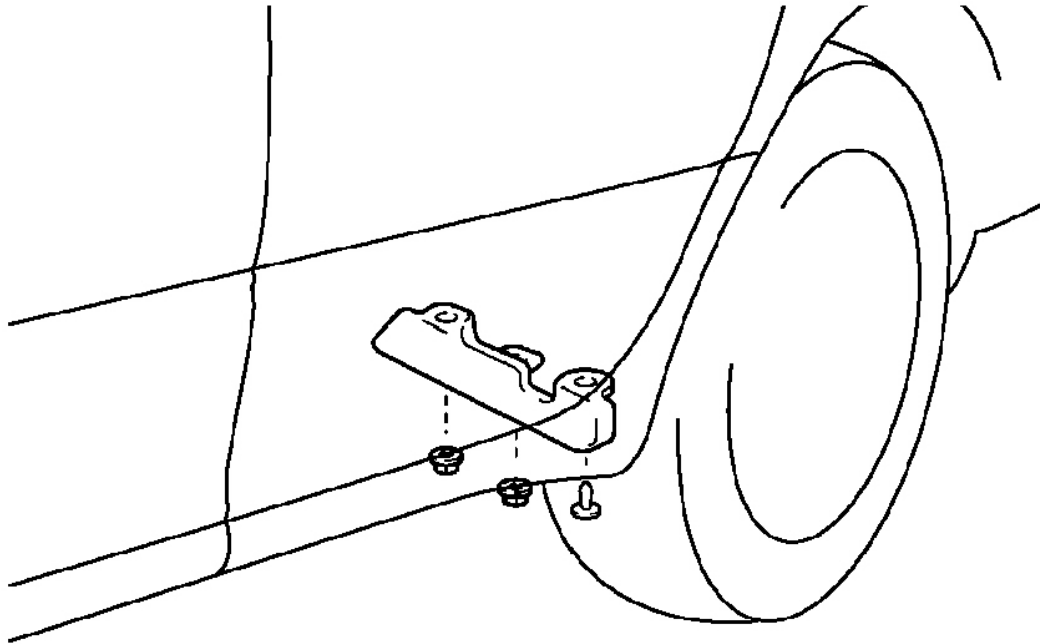
After removing the peeling paper, keep the exposed adhesive free from dirt and other contaminants.

- d. Install the molding with the 2 screws, 2 hexagon screws and 3 clips.



**Fig. 64: Installing Screws, Hexagon Screws And Clips**  
Courtesy of TOYOTA MOTOR SALES, U.S.A., INC.

- e. Install the No. 5 rocker panel protector with the 2 nuts and clip.

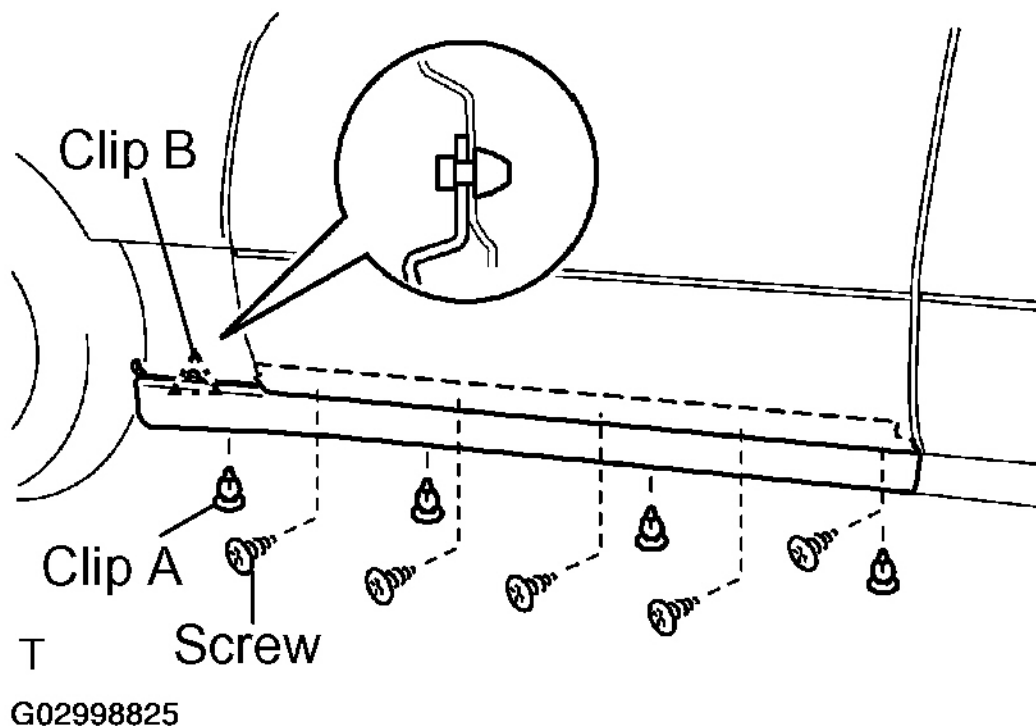


G02998824

**Fig. 65: Installing No. 5 Rocker Panel Protector With Nuts And Clip**  
Courtesy of TOYOTA MOTOR SALES, U.S.A., INC.

**6. INSTALL ROCKER PANEL MOLDING FRONT LH**

- a. Install the front molding with the clip labeled B.
- b. Install the 4 clips labeled A and 5 screws.



**Fig. 66: Installing Rocker Panel Molding Front LH**  
 Courtesy of TOYOTA MOTOR SALES, U.S.A., INC.

7. INSTALL FRONT FENDER OUTSIDE MOLDING LH (See **REPLACEMENT** )
8. INSTALL FRONT FENDER MUDGUARD SUB-ASSY LH (W/ MUDGUARD)
  - a. Install the front fender mudguard with the 3 screws.

## FRONT DOOR BELT MOLDING

### REPLACEMENT

#### HINT:

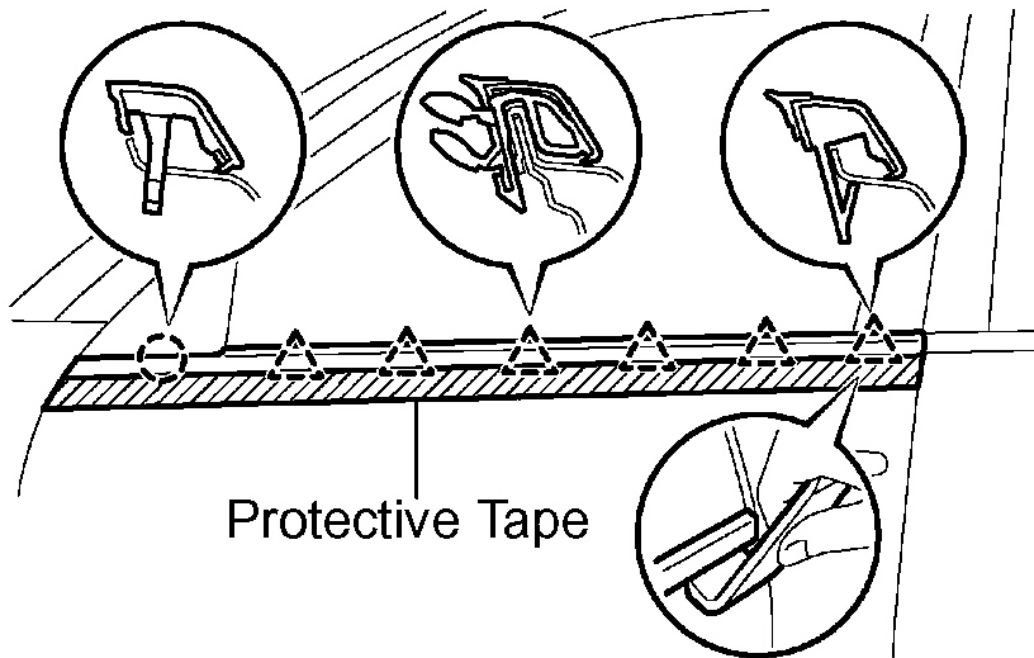
- The installation procedures are the removal procedures in reverse order.
  - Use the same procedures for the RH side and LH side.
  - The procedures listed below are for the LH side.
1. REMOVE POWER WINDOW REGULATOR SWITCH ASSY (See step 16 in **OVERHAUL** )
  2. REMOVE FRONT DOOR INSIDE HANDLE BEZEL LH (See **OVERHAUL** )
  3. REMOVE FRONT DOOR TRIM BOARD SUB-ASSY LH (See **OVERHAUL** )

4. **REMOVE DOOR FRAME GARNISH LH (See step 5 in OVERHAUL )**
5. **REMOVE OUTER REAR VIEW MIRROR ASSY LH (See step 7 on OVERHAUL )**
6. **REMOVE FRONT DOOR BELT MOLDING ASSY LH**
  - a. Put protective tape under the molding.
  - b. Remove the screw.
  - c. Using a molding remover, pry out the molding as shown in **Fig. 67** .

**HINT:**

Tape the remover tip before use.





Moulding Remover

Tape

P

G02998826

**Fig. 67: Removing Front Door Belt molding Assy LH**  
Courtesy of TOYOTA MOTOR SALES, U.S.A., INC.

## REAR DOOR BELT MOLDING

### REPLACEMENT

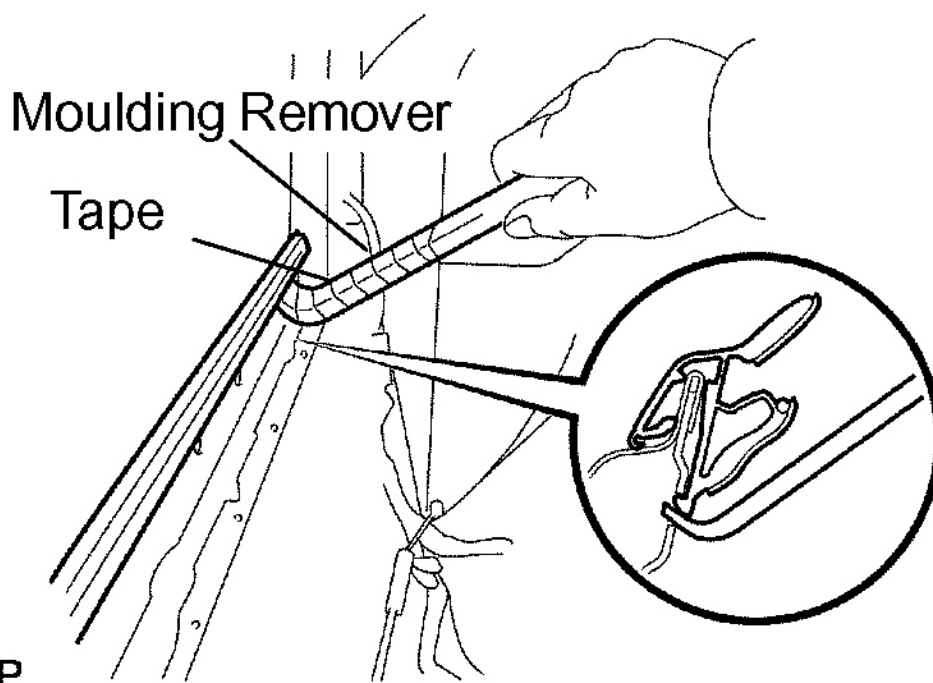
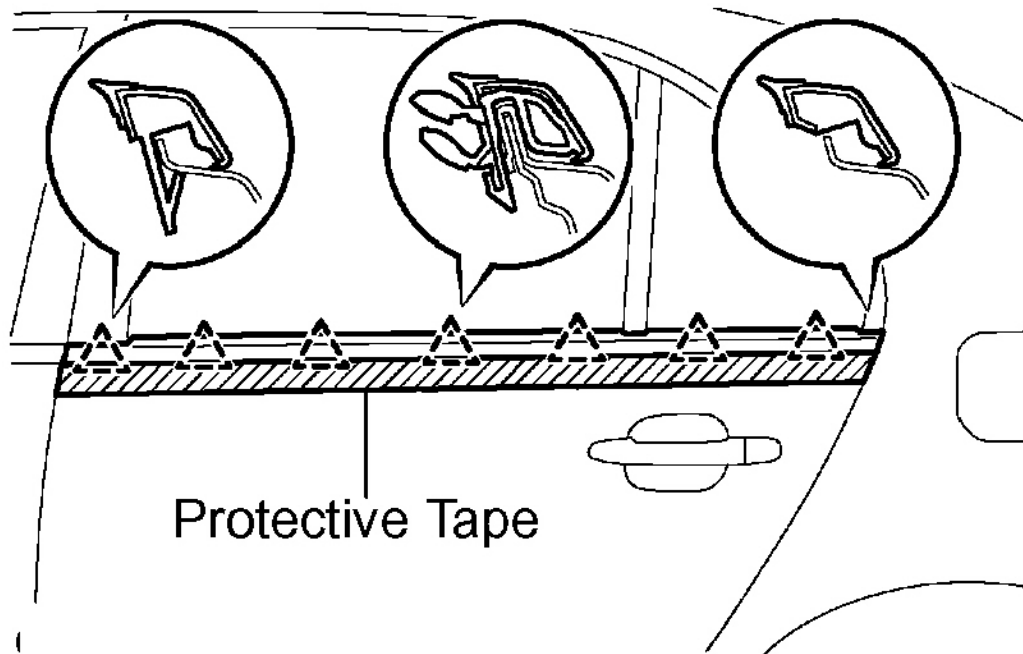
#### HINT:

- The installation procedures are the removal procedures in reverse order.
- Use the same procedures for the RH side and LH side.
- The procedures listed below are for the LH side.

1. **REMOVE DOOR INSIDE HANDLE BEZEL NO. 2 LH (See OVERHAUL )**
2. **REMOVE REAR DOOR ARMREST BASE PANEL UPPER LH (See OVERHAUL )**
3. **REMOVE SIDE TRIM BOARD COVER FRONT LH (See OVERHAUL )**
4. **REMOVE SIDE REAR CURTAIN ASSY LH (See step 4 on OVERHAUL )**
5. **REMOVE REAR DOOR TRIM BOARD SUB-ASSY LH (See step 5 on OVERHAUL )**
6. **REMOVE REAR DOOR BELT MOLDING ASSY LH**
  - a. Put protective tape under the molding.
  - b. Remove the screw.
  - c. Using a molding remover, pry out the molding as shown in **Fig. 68** .

#### HINT:

Tape the remover tip before use.



G02998827

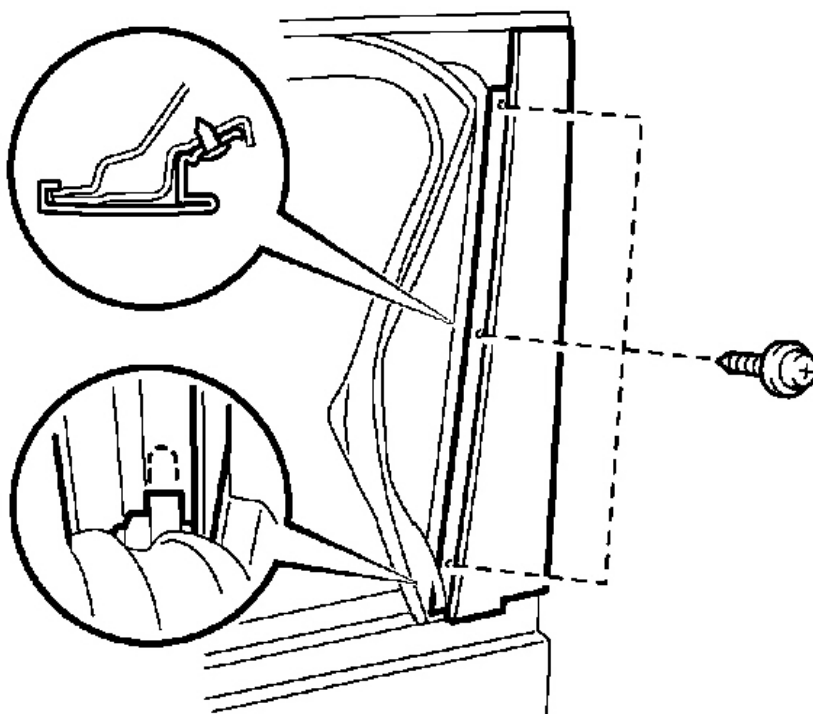
**Fig. 68: Removing Rear Door Belt Molding Assy LH**  
Courtesy of TOYOTA MOTOR SALES, U.S.A., INC.

## FRONT DOOR WINDOW FRAME MOLDING

### REPLACEMENT

#### HINT:

- The installation procedures are the removal procedures in reverse order. However, only installation procedures requiring additional information are included.
  - Use the same procedures for the RH side and LH side.
  - The procedures listed below are for the LH side.
1. **REMOVE FRONT DOOR BELT MOLDING ASSY LH (See REPLACEMENT )**
  2. **REMOVE FRONT DOOR GLASS RUN LH**
    - a. Remove the glass run from the front door window frame.
  3. **REMOVE FRONT DOOR WINDOW FRAME MOLDING REAR LH**
    - a. Remove the 3 screws and molding.



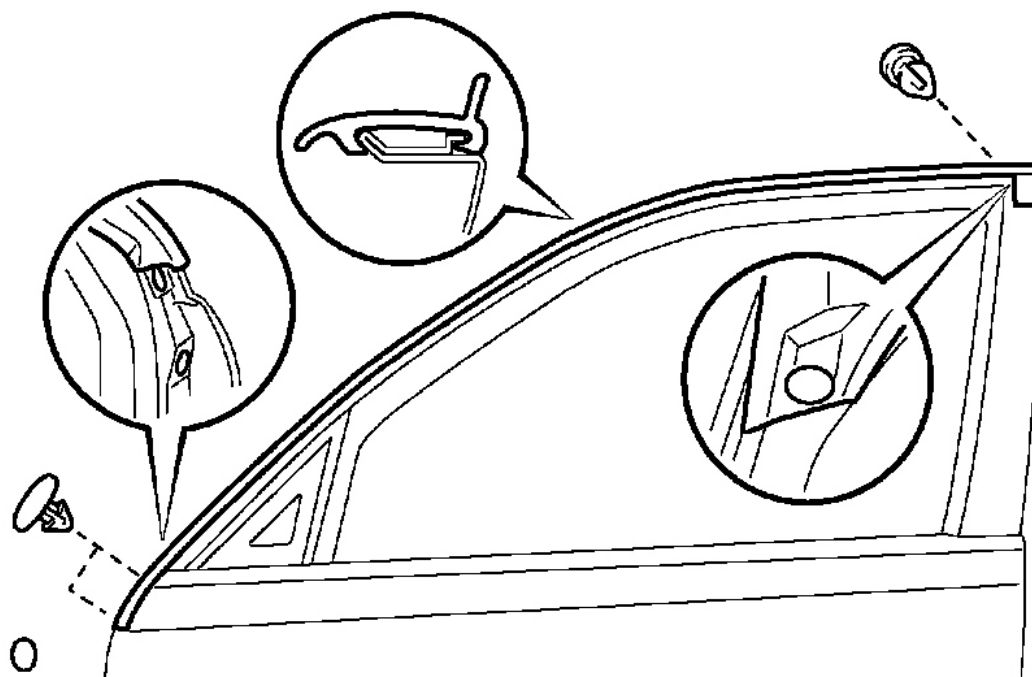
0

G02998828

**Fig. 69: Removing Front Door Window Frame Molding Rear LH**

Courtesy of TOYOTA MOTOR SALES, U.S.A., INC.

4. REMOVE FRONT DOOR WINDOW FRAME MOLDING JOINT COVER FRONT
5. REMOVE FRONT DOOR WEATHERSTRIP UPPER
  - a. Using a clip remover, remove the 3 clips and weatherstrip.



G02998829

**Fig. 70: Removing Front Door Weatherstrip Upper**

Courtesy of TOYOTA MOTOR SALES, U.S.A., INC.

6. REMOVE FRONT DOOR WINDOW FRAME MOLDING FRONT LH
  - a. Using a drill of less than phis 4 mm (0.16 in.), gently and perpendicularly place the drill tip onto the rivet and cut the rivet flanges.

HINT:

Wind tape around the drill bit approximately 5 mm (0.20 in.) from the tip of the drill, as shown in **Fig. 71** .

NOTE:

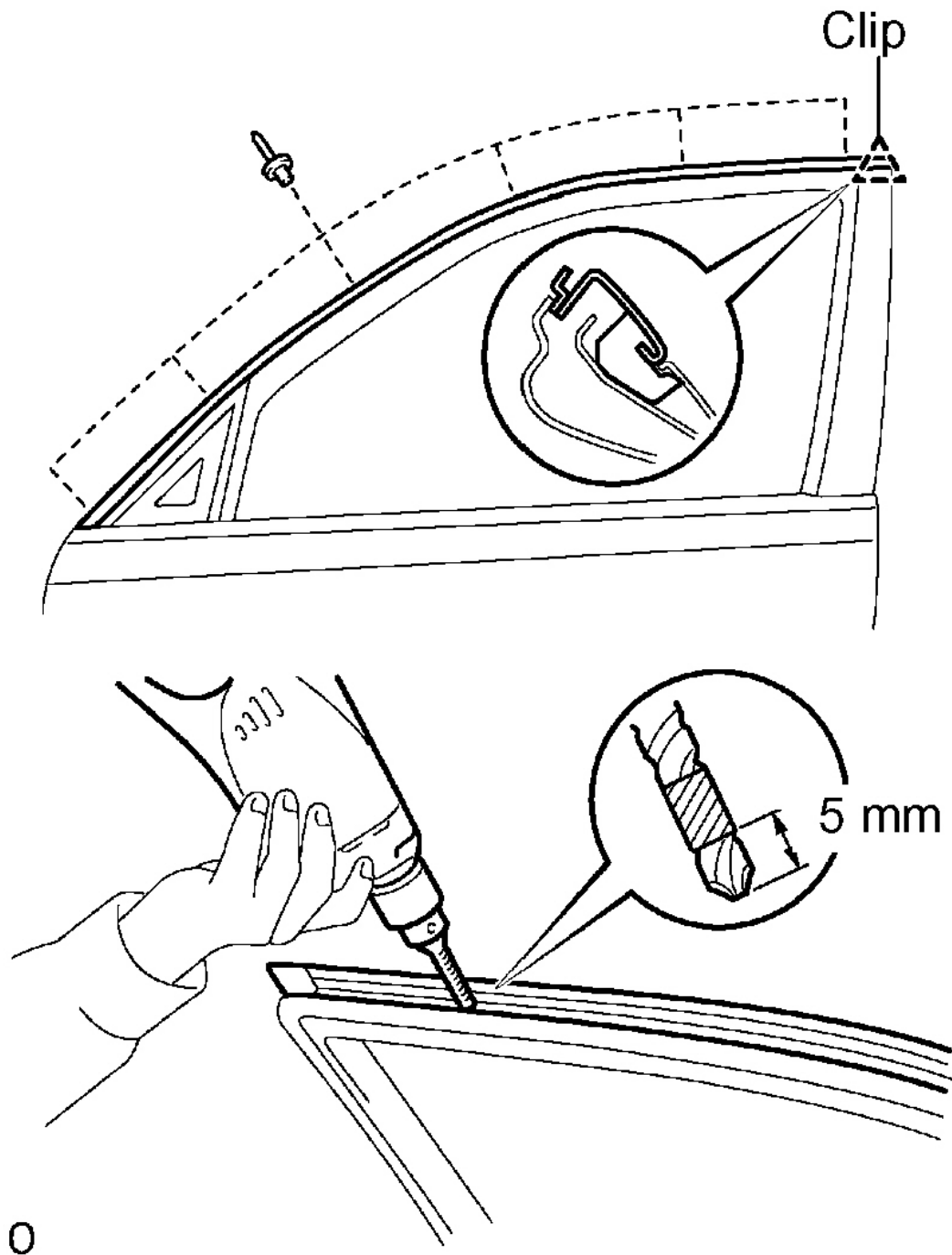
- Be sure to gently place the drill perpendicular to the rivet,

## 2006 Lexus LS 430

2006 ACCESSORIES & EQUIPMENT Exterior/Interior Trim - LS430

**otherwise the rivet hole and the drill itself will be damaged.**

- **Be careful when performing this task, as the cut rivet is hot.**
- b. Do not prize the riveter. The riveter will be damaged and the mandrel will bend.
  - c. Using a clip remover, remove the clip and molding from the door frame garnish.



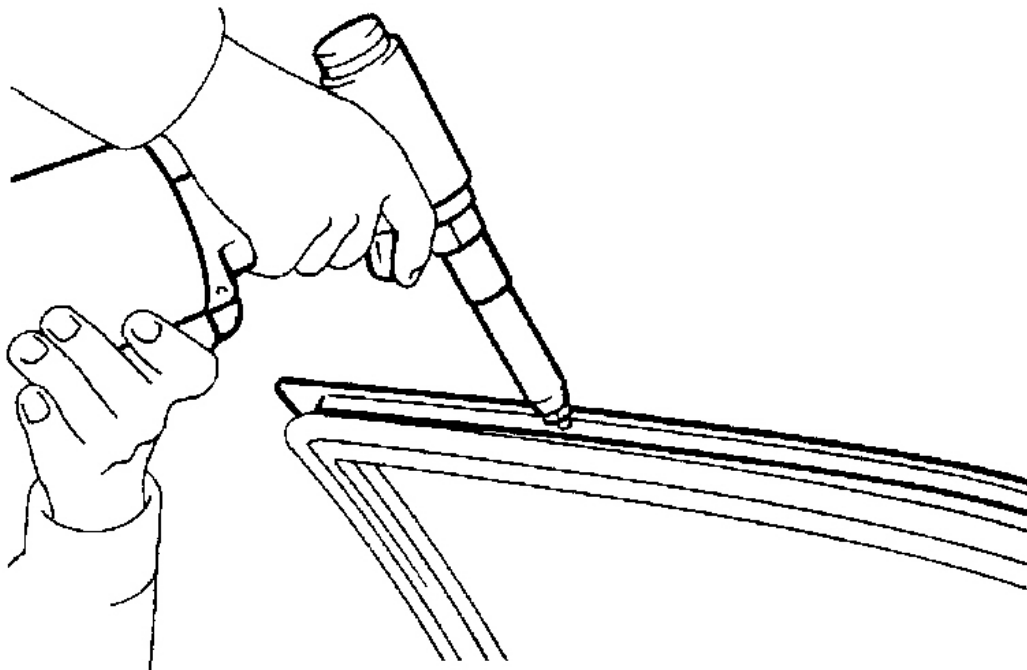
0

G02998830

**Fig. 71: Removing Front Door Window Frame molding Front LH**  
Courtesy of TOYOTA MOTOR SALES, U.S.A., INC.

**7. INSTALL FRONT DOOR WINDOW FRAME MOLDING FRONT LH**

- a. Using an air riveter or hand riveter with nose piece, strike the 6 rivets into the door window frame garnish to install the molding to the door frame garnish.



G02998831

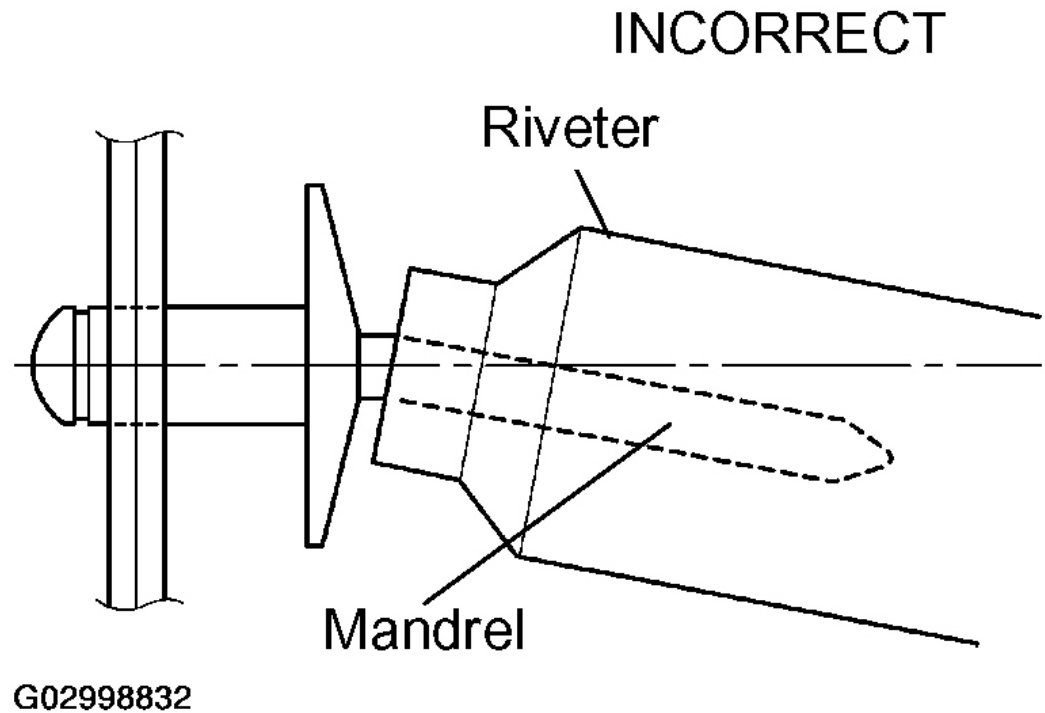
**Fig. 72: Installing Molding To Door Frame Garnish Using Riveter**  
Courtesy of TOYOTA MOTOR SALES, U.S.A., INC.

**NOTE:** If the rivet is not positioned perpendicularly, it will bend the mandrel.

**NOTE:**

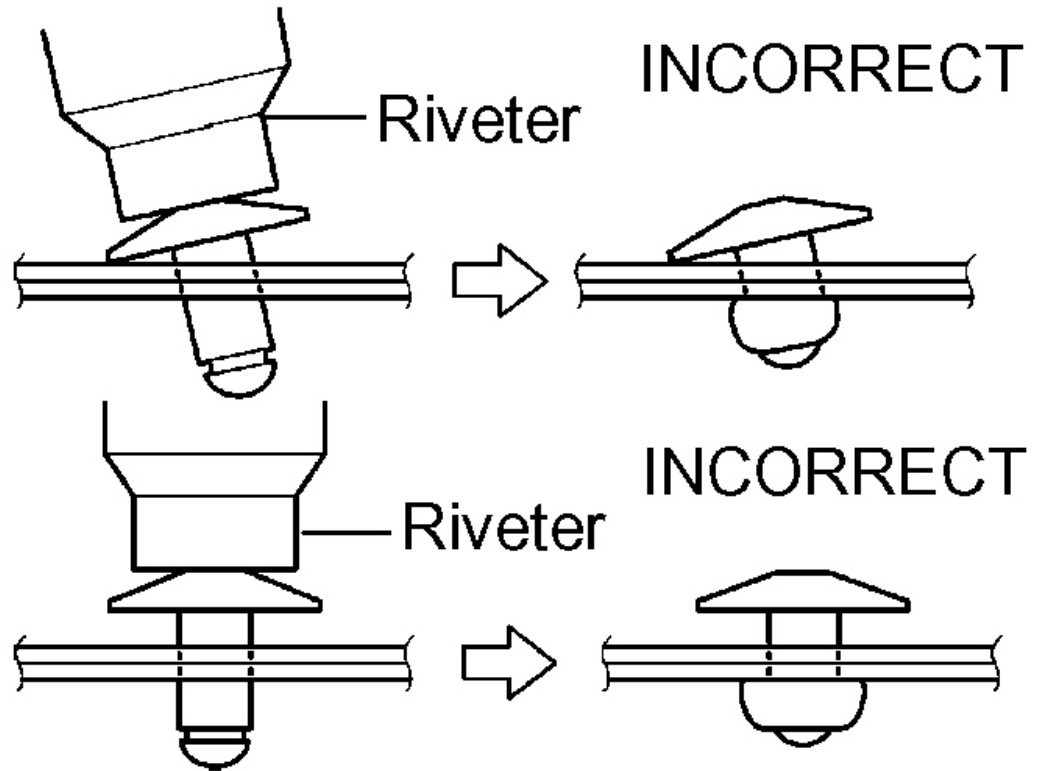
- Do not prize the riveter, because the riveter will be damaged and the mandrel will bend.





**Fig. 73: Using Riveter Correctly (1 Of 3)**  
Courtesy of TOYOTA MOTOR SALES, U.S.A., INC.

- Do not tilt the riveter when fastening the rivet to the items as this will cause the rivet to be loose.
- Do not have any space between the rivet head and the items. The rivet head must be completely flat against the items.

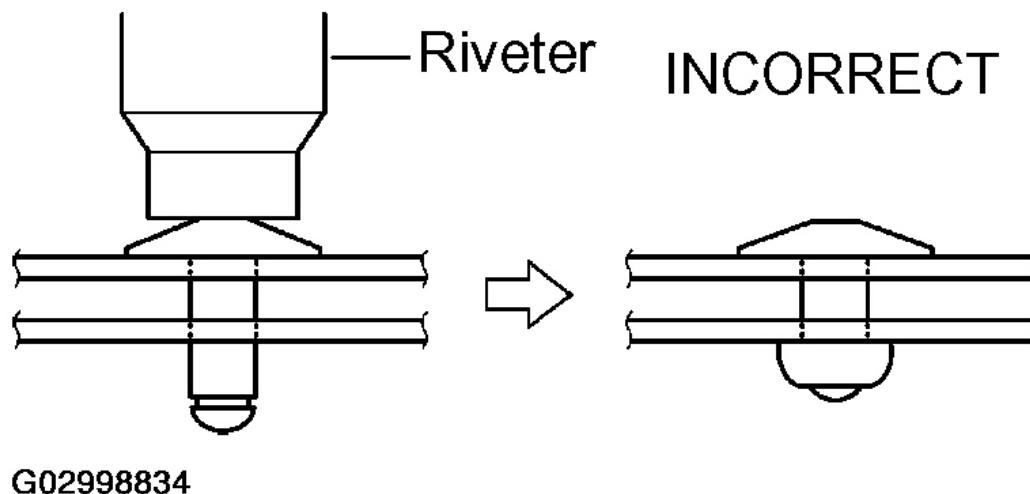


G02998833

**Fig. 74: Using Riveter Correctly (2 Of 3)**

Courtesy of TOYOTA MOTOR SALES, U.S.A., INC.

- Do not have any space between the items. Firmly hold together the 2 items while installing the rivet.



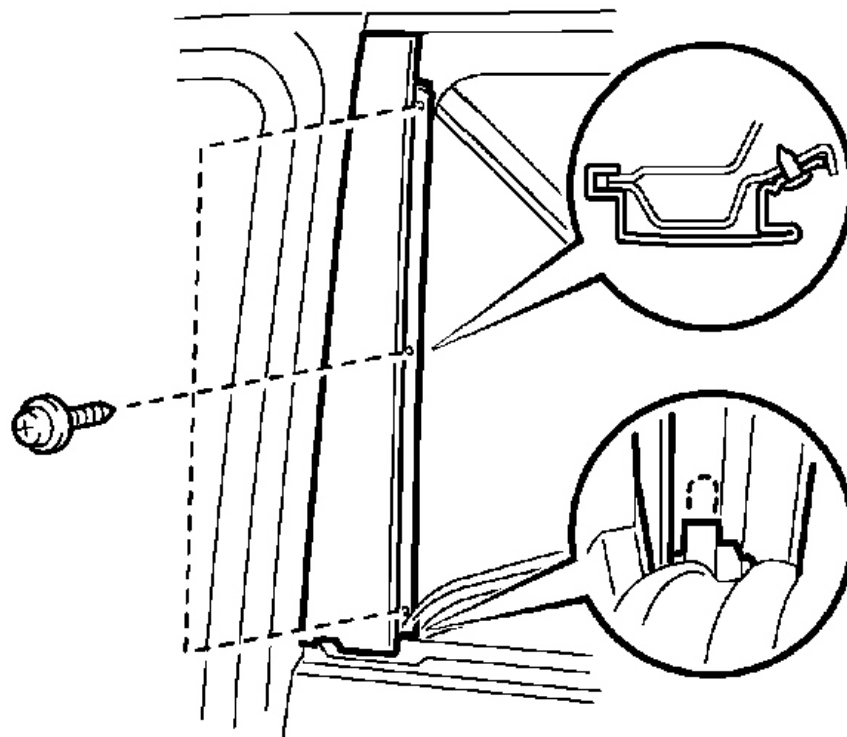
**Fig. 75: Using Riveter Correctly (3 Of 3)**  
 Courtesy of TOYOTA MOTOR SALES, U.S.A., INC.

## REAR DOOR WINDOW FRAME MOLDING

### REPLACEMENT

#### HINT:

- The installation procedures are the removal procedures in reverse order. However, only installation procedures requiring additional information are included.
  - Use the same procedures for the RH side and LH side.
  - The procedures listed below are for the LH side.
1. **REMOVE REAR DOOR BELT MOLDING ASSY LH (See REPLACEMENT )**
  2. **REMOVE REAR DOOR GLASS RUN LH**
    - a. Remove the glass run from the rear door window frame.
  3. **REMOVE REAR DOOR WINDOW FRAME MOLDING FRONT LH**
    - a. Remove the 3 screws and molding.

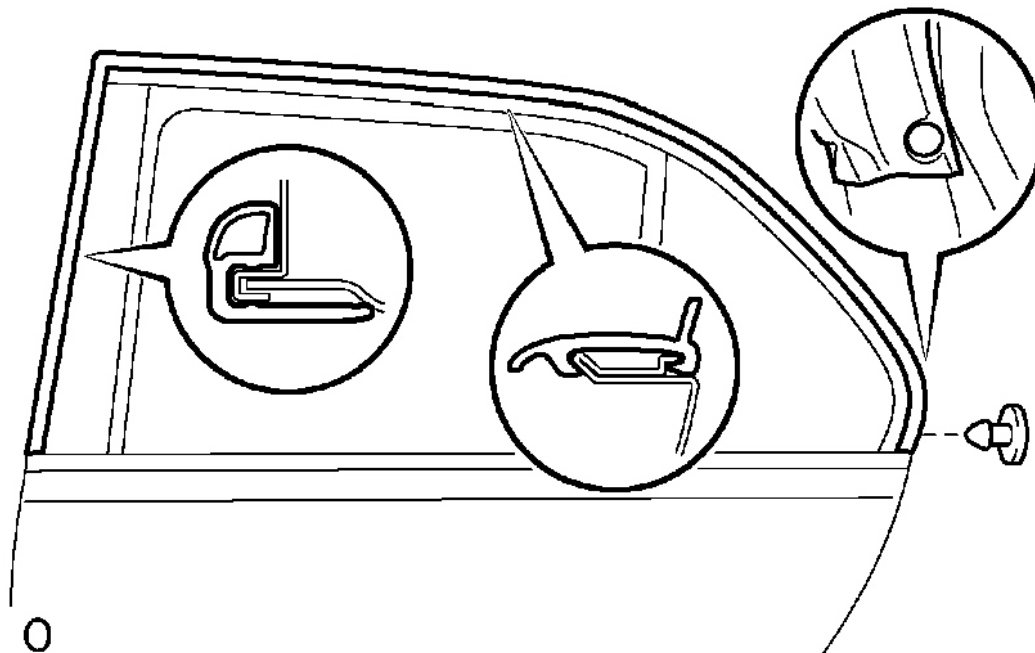


O

G02998835

**Fig. 76: Removing Rear Door Window Frame Molding Front LH**  
Courtesy of TOYOTA MOTOR SALES, U.S.A., INC.

4. **REMOVE REAR DOOR WEATHERSTRIP NO. 2 LH**
  - a. Using a clip remover, remove the clip and weatherstrip.



G02998836

**Fig. 77: Removing Rear Door Weatherstrip No. 2 LH**  
 Courtesy of TOYOTA MOTOR SALES, U.S.A., INC.

#### 5. REMOVE REAR DOOR WINDOW FRAME MOLDING UPPER LH

- a. Using a drill of less than this 4 mm (0.16 in.), gently and perpendicularly place the drill tip onto the rivet and cut the rivet flanges.

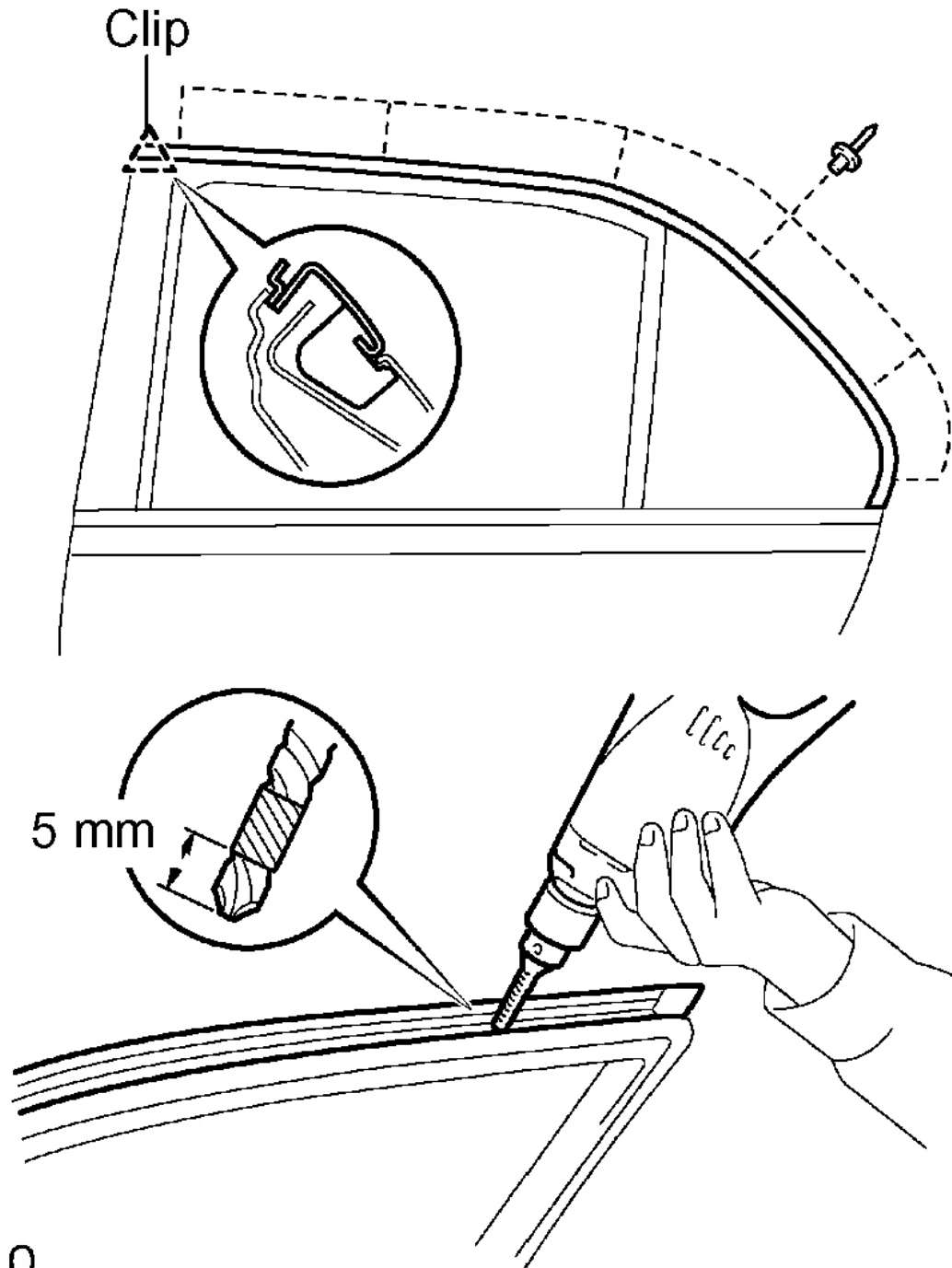
**HINT:**

Wind tape around the drill bit approximately 5 mm (0.20 in.) from the tip of the drill, as shown in **Fig. 78**.

**NOTE:**

- Be sure to gently place the drill perpendicular to the rivet, otherwise the rivet hole and the drill itself will be damaged.
- Be careful when performing this task, as the cut rivet is hot.

- b. Do not prize the riveter. The riveter will be damaged and the mandrel will bend.
- c. Using a clip remover, remove the clip and molding from the door frame garnish.



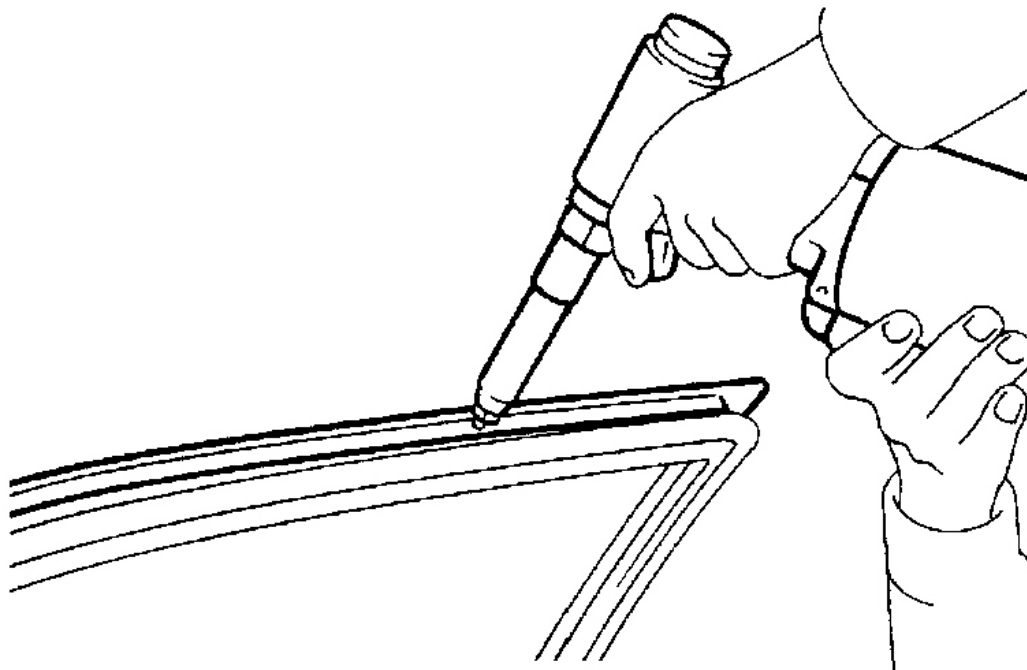
0

G02998837

**Fig. 78: Removing Rear Door Window Frame Molding Upper LH**  
Courtesy of TOYOTA MOTOR SALES, U.S.A., INC.

**6. INSTALL REAR DOOR WINDOW FRAME MOLDING UPPER LH**

- a. Using an air riveter or hand riveter with nose piece, strike the 6 rivets into the door window frame to install the molding to the door frame garnish.



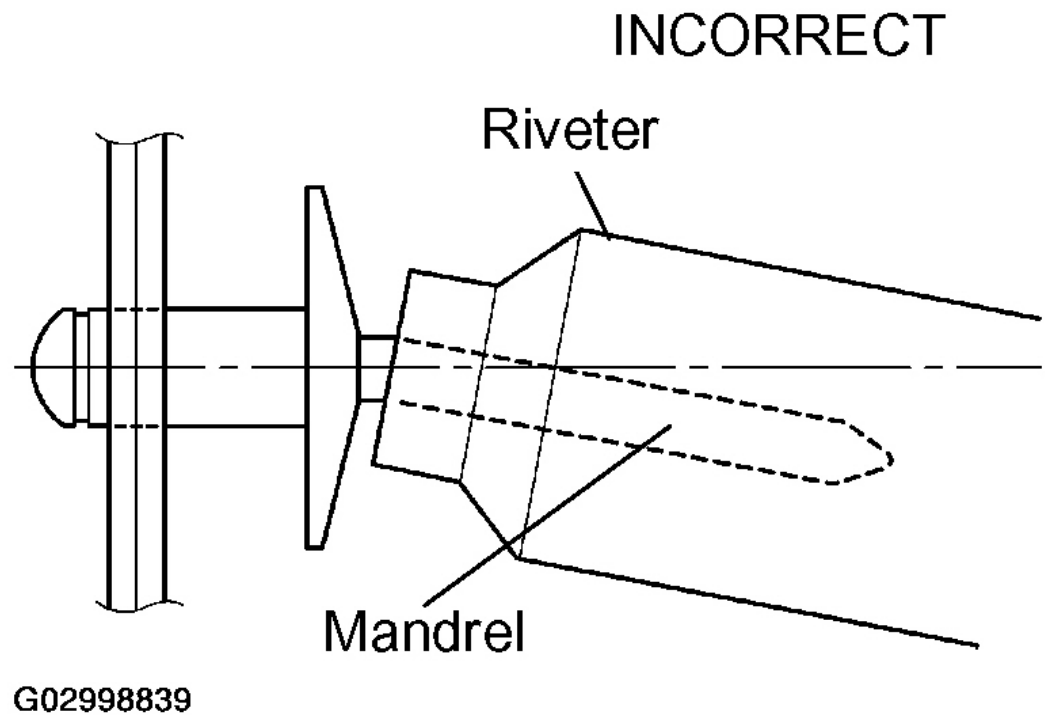
G02998838

**Fig. 79: Installing Molding To Door Frame Using Riveter**  
Courtesy of TOYOTA MOTOR SALES, U.S.A., INC.

**NOTE:** If the rivet is not positioned perpendicularly, it will bend the mandrel.

**NOTE:**

- Do not prize the riveter, because the riveter will be damaged and the mandrel will bend.

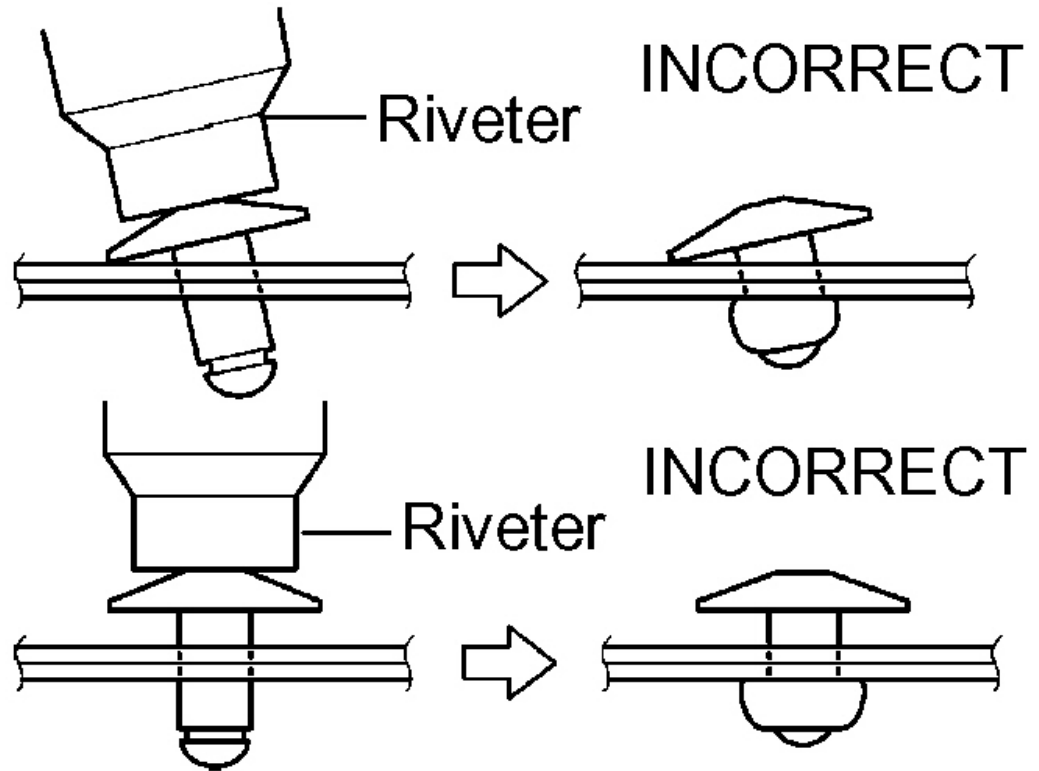


**Fig. 80: Using Riveter Correctly (1 Of 3)**

Courtesy of TOYOTA MOTOR SALES, U.S.A., INC.

- Do not tilt the riveter when fastening the rivet to the items as this will cause the rivet to be loose.
- Do not have any space between the rivet head and the items. The rivet head must be completely flat against the items.

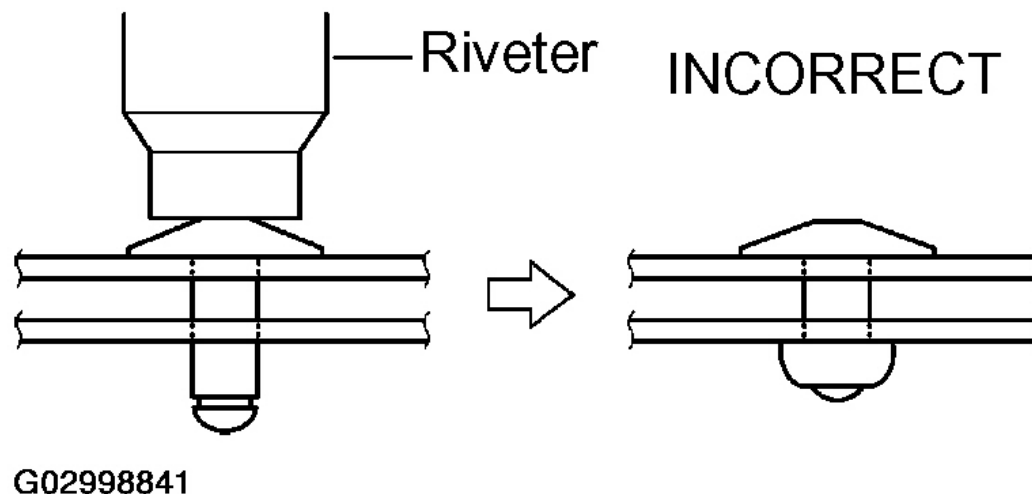




G02998840

**Fig. 81: Using Riveter Correctly (2 Of 3)**  
Courtesy of TOYOTA MOTOR SALES, U.S.A., INC.

- Do not have any space between the items. Firmly hold together the 2 items while installing the rivet.



**Fig. 82: Using Riveter Correctly (3 Of 3)**

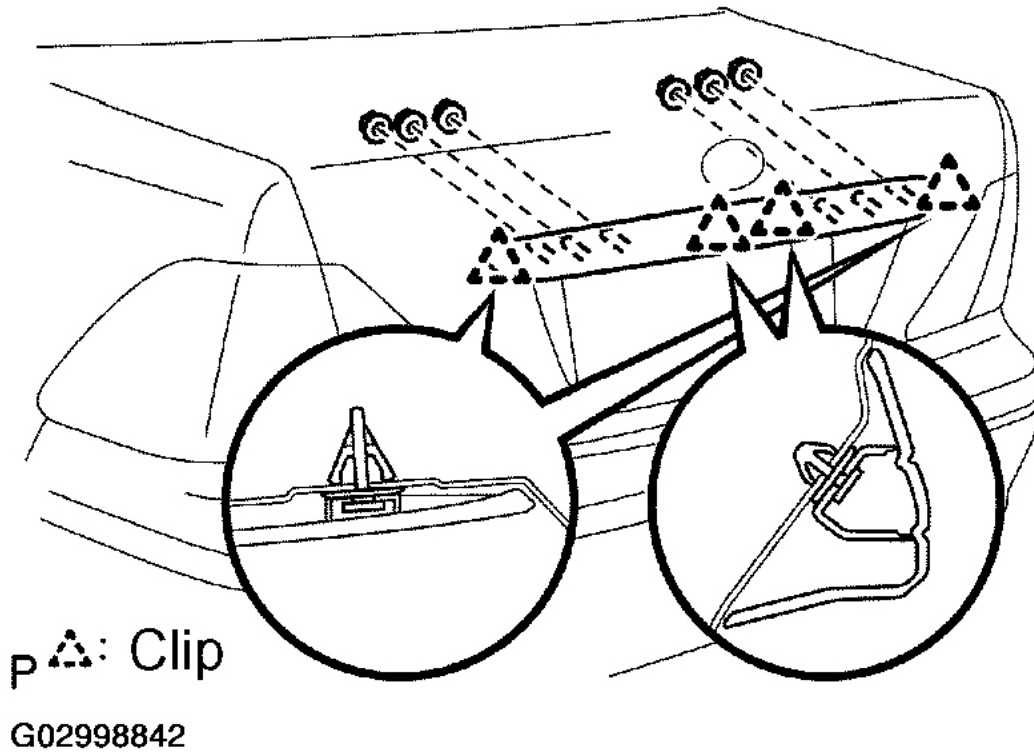
Courtesy of TOYOTA MOTOR SALES, U.S.A., INC.

## LUGGAGE COMPARTMENT DOOR GARNISH SUB-ASSY OUTSIDE

### REPLACEMENT

#### HINT:

- The installation procedures are the removal procedures in reverse order.
  - A bolt without torque specification is a standard bolt (see **SPECIFIED TORQUE FOR STANDARD BOLTS** ).
1. **REMOVE REAR COMBINATION LAMP SERVICE COVER RH** (See **OVERHAUL** )
  2. **REMOVE REAR COMBINATION LAMP SERVICE COVER LH** (See **OVERHAUL** )
  3. **REMOVE LUGGAGE COMPARTMENT LAMP ASSY NO.** (See step 4 in **OVERHAUL** )
  4. **REMOVE BACK DOOR TRIM COVER** (See step 5 in **OVERHAUL** )
  5. **REMOVE LUGGAGE COMPARTMENT DOOR GARNISH SUB-ASSY OUTSIDE**
    - a. Remove the 6 nuts and key cylinder. Then remove the luggage compartment door opener switch.
    - b. Disengage the 4 clips and remove the garnish from the luggage compartment door.



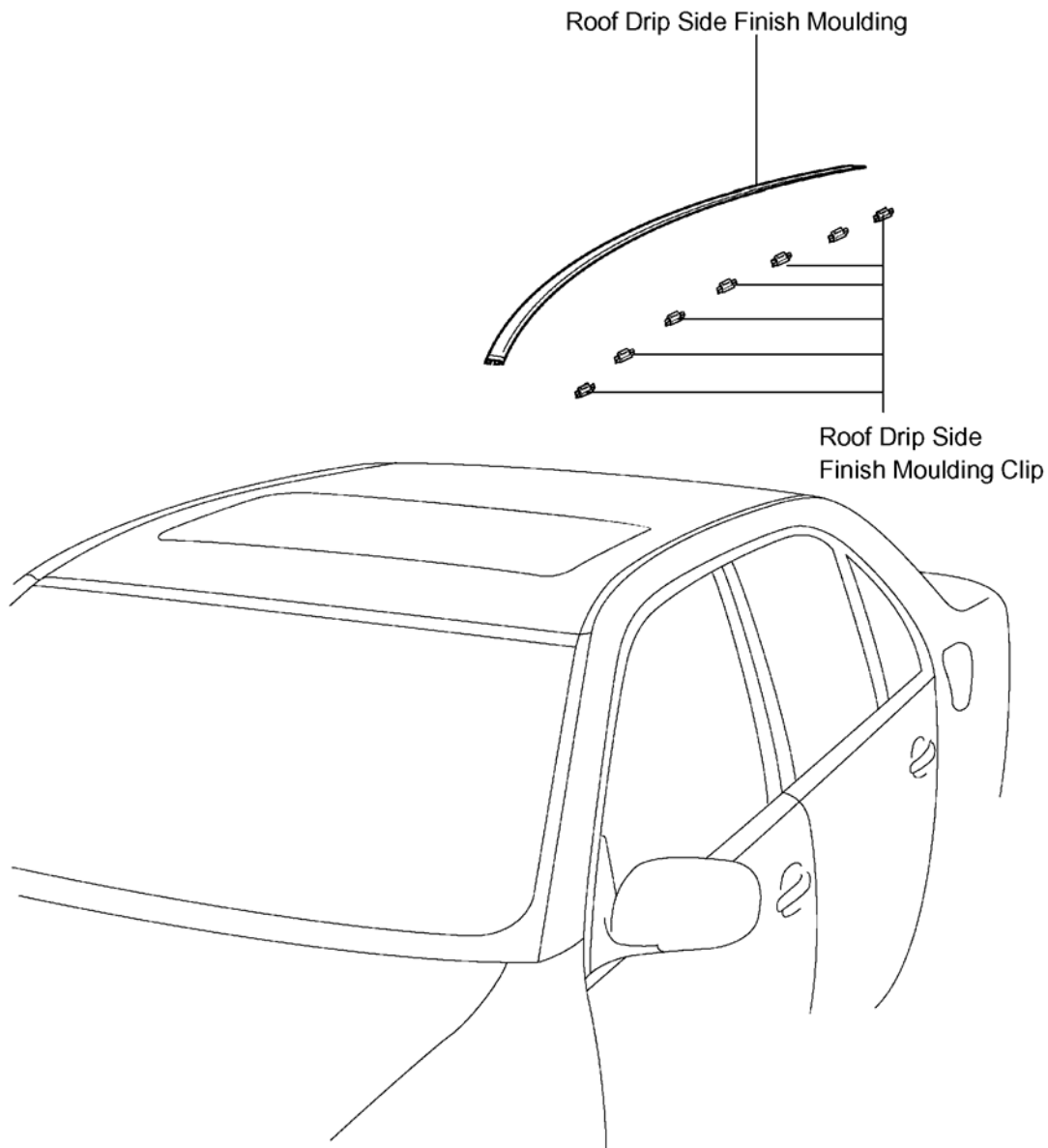
**Fig. 83: Removing Luggage Compartment Door Garnish Sub-Assy Outside**  
Courtesy of TOYOTA MOTOR SALES, U.S.A., INC.

## ROOF DRIP SIDE FINISH MOLDING

### COMPONENTS

## 2006 Lexus LS 430

2006 ACCESSORIES & EQUIPMENT Exterior/Interior Trim - LS430



T  
G02998843

**Fig. 84: Removal And Installation Of Roof Drip Side Finish Molding**  
Courtesy of TOYOTA MOTOR SALES, U.S.A., INC.

### REPLACEMENT

#### HINT:

- Use the same procedures for the RH side and LH side.
- The procedures listed below are for the LH side.

- When replacing the molding, heat the body and molding using a heat light.

### HEATING TEMPERATURE CHART

Item	Temperature
Body	40 to 60°C (104 to 140°F)
molding	20 to 30°C (68 to 86°F)

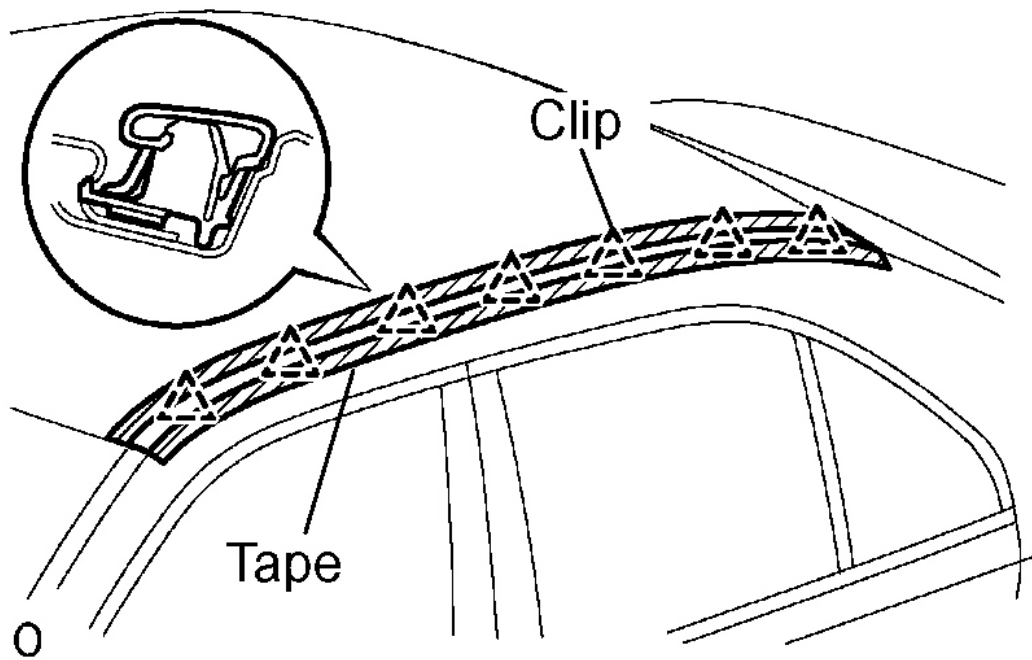
**NOTE:** Do not heat the body and molding excessively.

#### 1. REMOVE ROOF DRIP SIDE FINISH Molding LH

- Put protective tape around the edges of the molding.
- Using a molding remover, disengage the molding's front and rear end clips from the vehicle. Remove the molding.

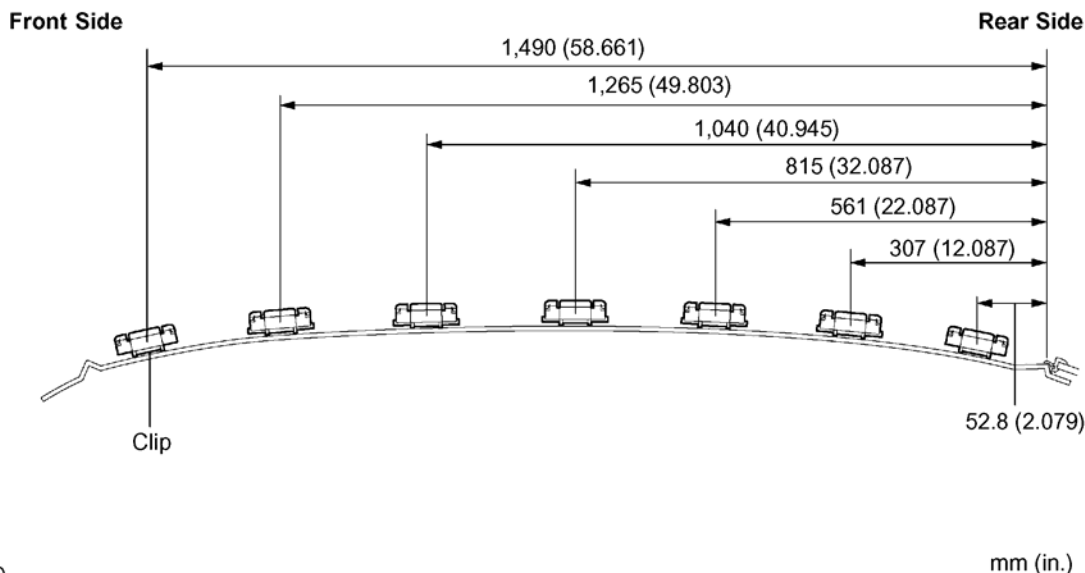
**NOTE:**

- Do not remove the clips from vehicle body.
- If the clips are damaged or removed accidentally, replace them.



G02998844

## 2. INSTALL ROOF DRIP SIDE FINISH MOLDING CLIP



0  
G02998845

**Fig. 86: Installing Roof Drip Side Finish Molding Clip**  
Courtesy of TOYOTA MOTOR SALES, U.S.A., INC.

### HINT:

Use the following steps (a) to (c) to replace damaged or accidentally removed clips. If not necessary, go to step 3.

- Remove the tape that remains on the mounting surface of the body, and then clean the surface with white gasoline.
- Heat the clip installation surfaces of the body and molding.
- Install new clips in the positions shown in **Fig. 86** . Press-fit the clips by hand.

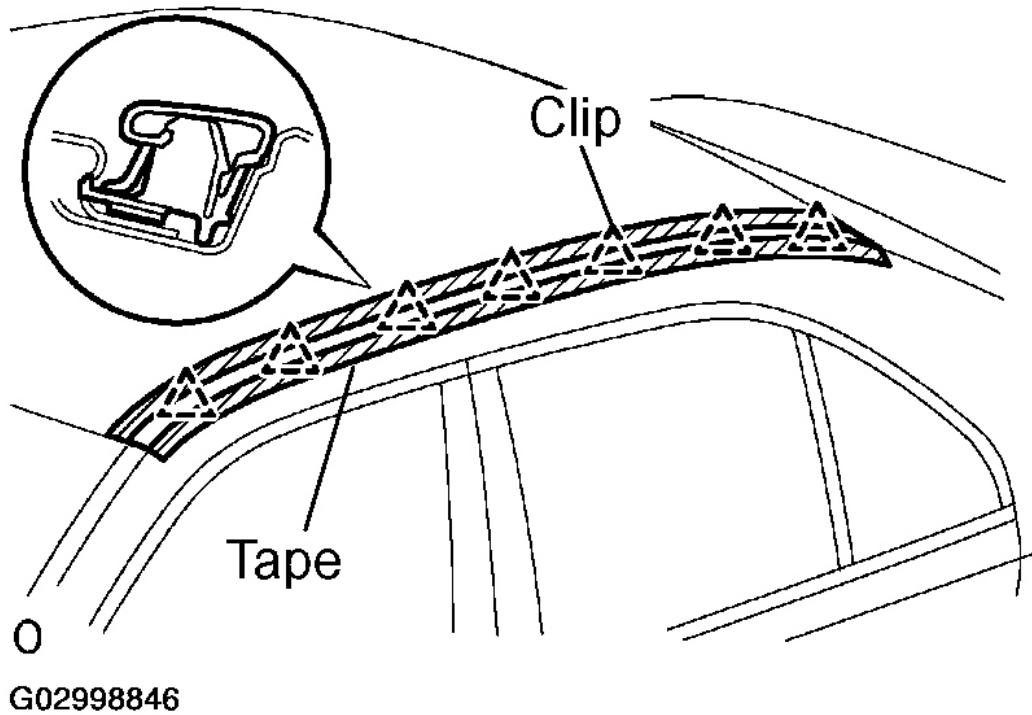
**NOTE:** After press-fitting the clips, wait 30 minutes or more before installing the molding.

### HINT:

- Minimum hardening time: 30 minutes
- Time needed for complete hardening: 24 hours

## 3. INSTALL ROOF DRIP SIDE FINISH MOLDING LH

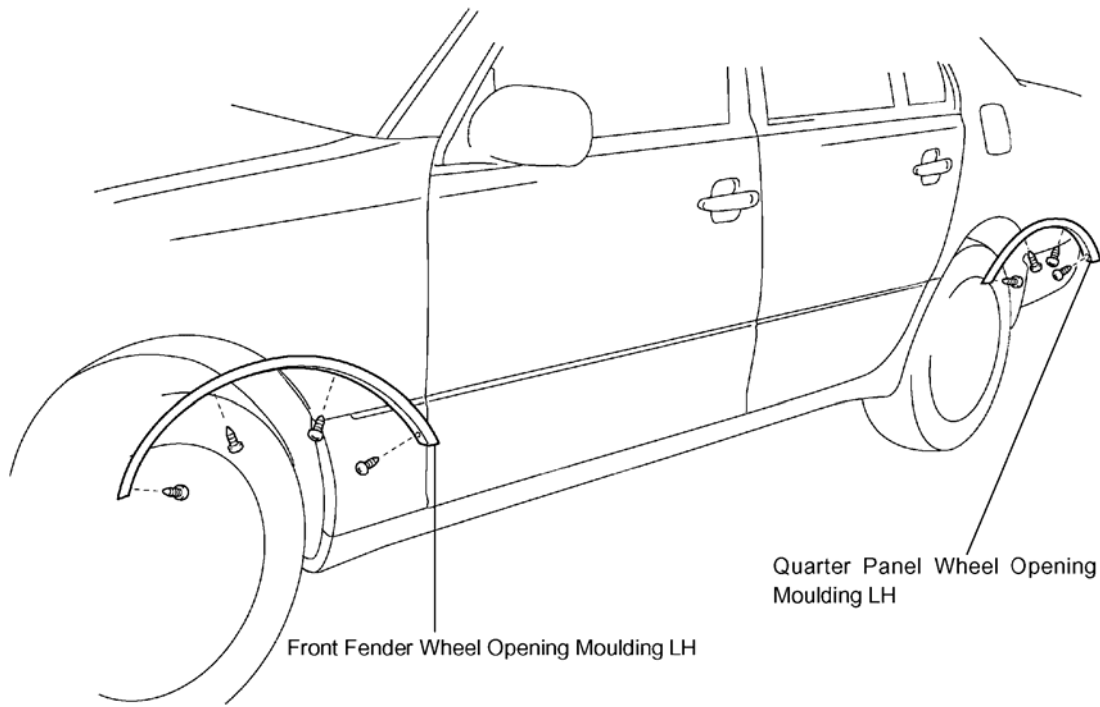
- Adjust the position of the molding so that the front and rear ends attach to the vehicle's clips, and install the molding.
- Remove the protective tape from the edge of the molding.



**Fig. 87: Installing Roof Drip Side Finish molding LH**  
Courtesy of TOYOTA MOTOR SALES, U.S.A., INC.

## WHEEL OPENING MOLDING

### COMPONENTS



T  
G02998847

**Fig. 88: Removing And Installing Wheel Opening Molding**  
Courtesy of TOYOTA MOTOR SALES, U.S.A., INC.

## REPLACEMENT

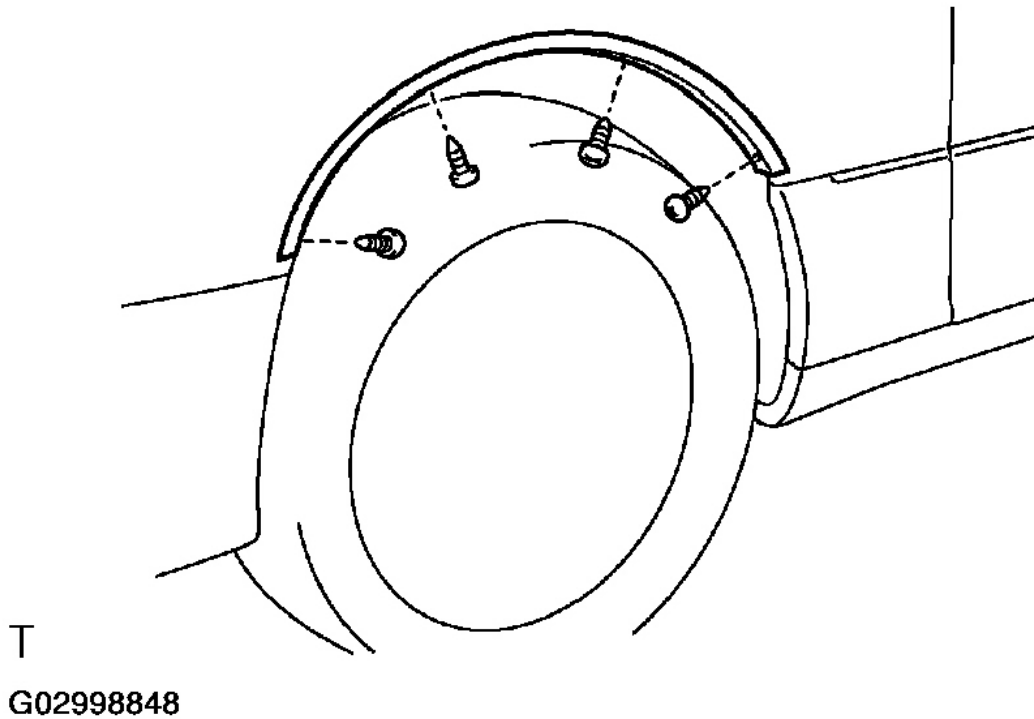
### HINT:

- The installation procedures are the removal procedures in reverse order.
- Use the same procedures for the RH side and LH side.
- The procedures listed below are for the LH side.

#### 1. REMOVE FRONT FENDER WHEEL OPENING MOLDING LH

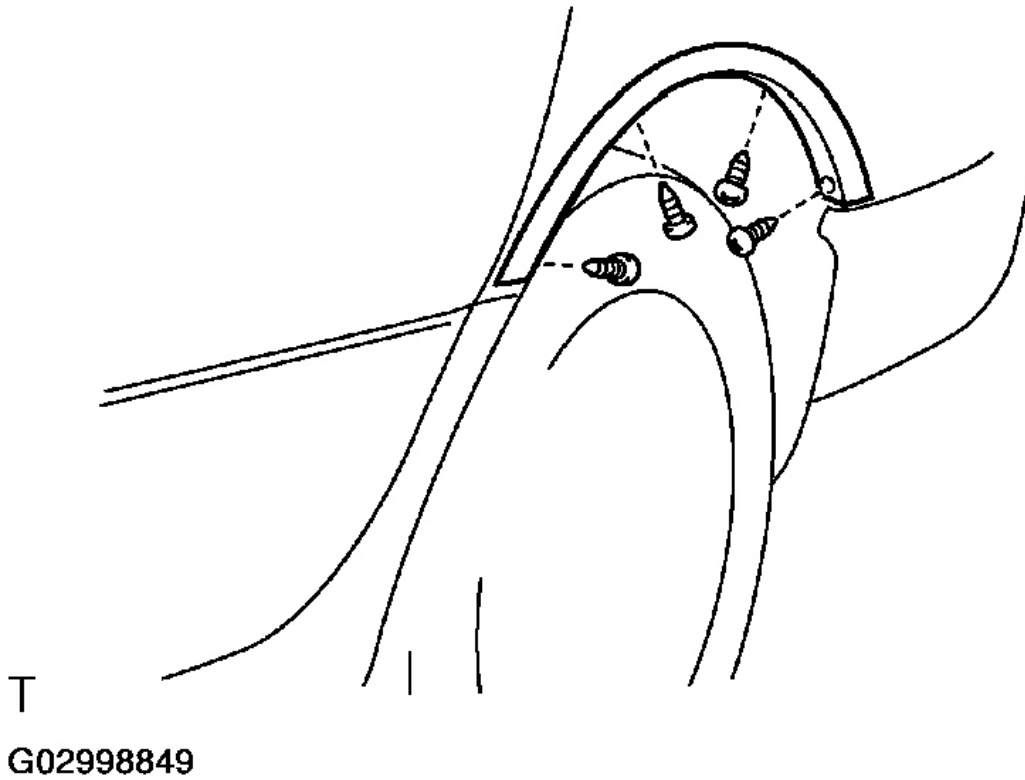
- a. Remove the 4 screws and molding.





**Fig. 89: Removing Front Fender Wheel Opening Molding LH**  
Courtesy of TOYOTA MOTOR SALES, U.S.A., INC.

2. REMOVE QUARTER PANEL WHEEL OPENING MOLDING LH
  - a. Remove the 4 screws and molding.



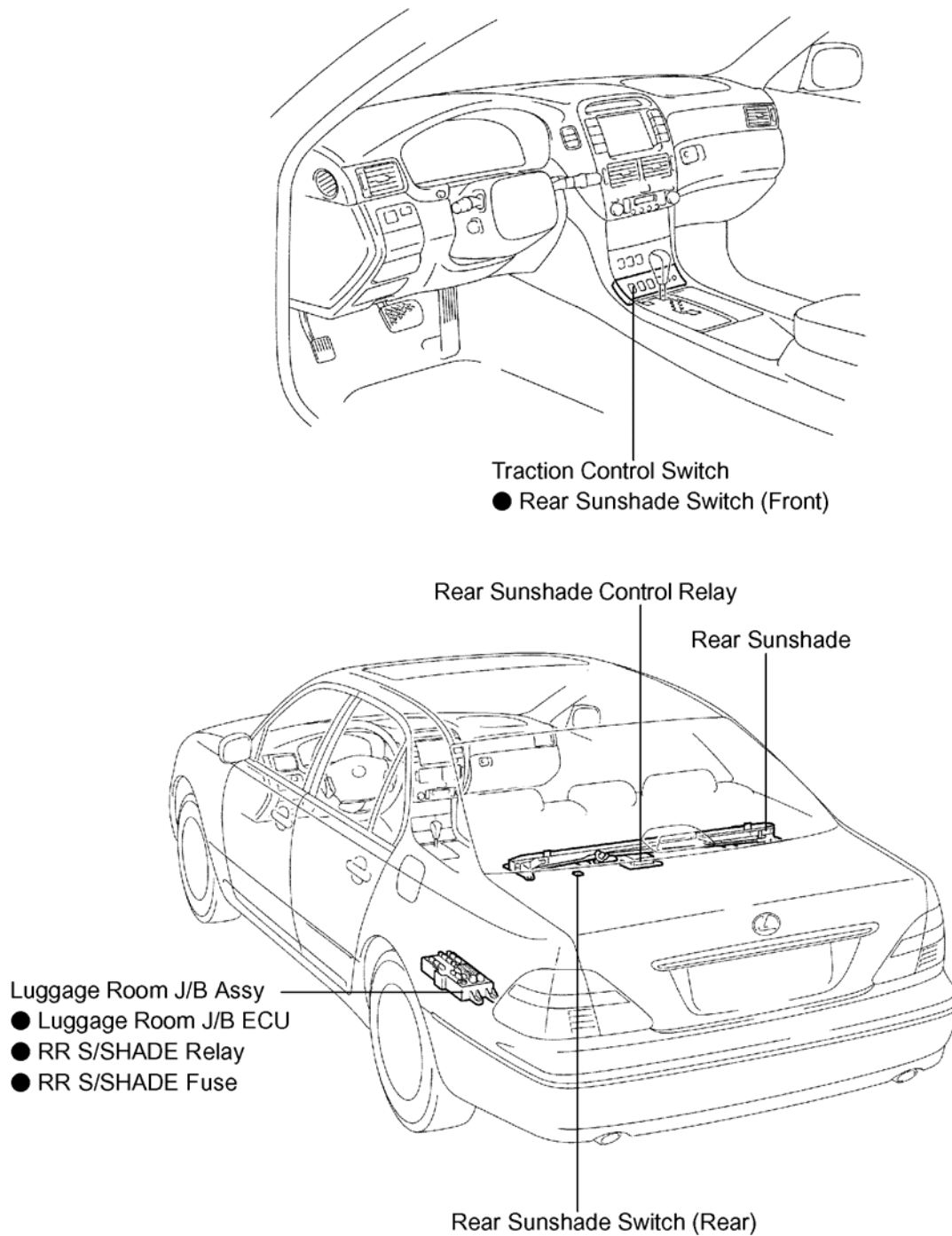
**Fig. 90: Removing Quarter Panel Wheel Opening Molding LH**  
Courtesy of TOYOTA MOTOR SALES, U.S.A., INC.

## REAR SUNSHADE SYSTEM

LOCATION

2006 Lexus LS 430

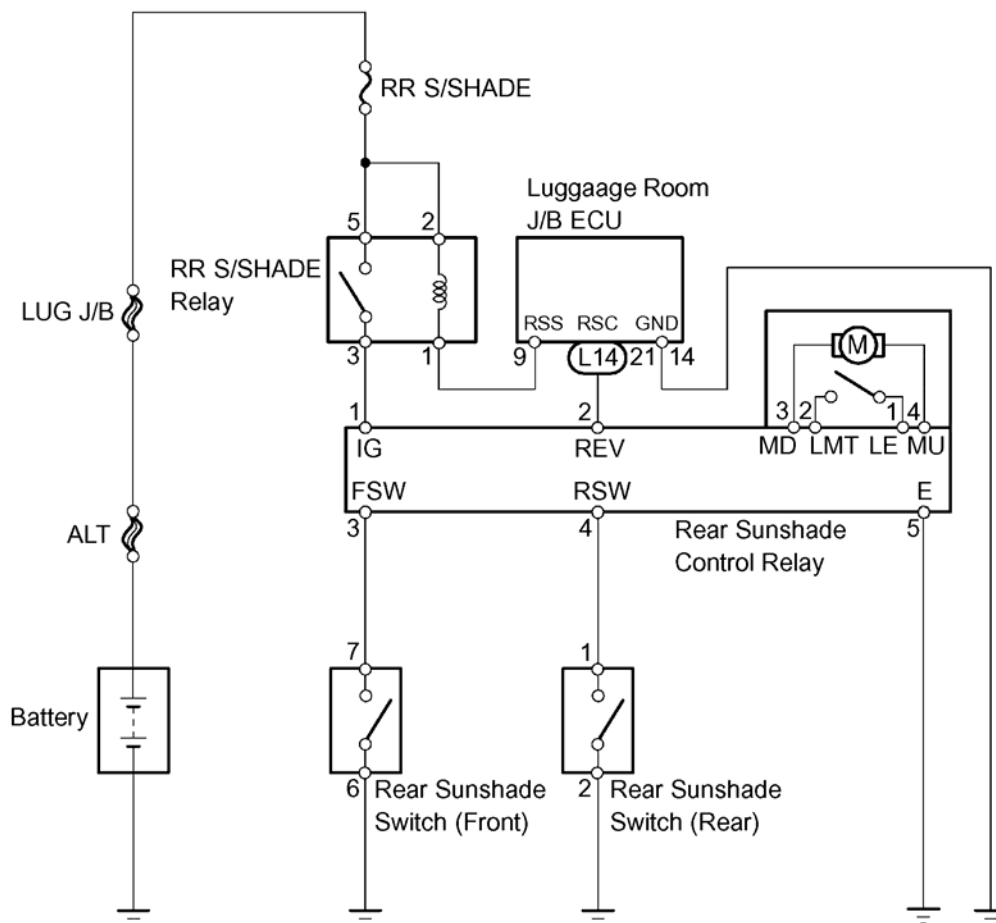
2006 ACCESSORIES & EQUIPMENT Exterior/Interior Trim - LS430



P  
G02998850

**Fig. 91: Locating Rear Sunshade System**  
Courtesy of TOYOTA MOTOR SALES, U.S.A., INC.

**SYSTEM DIAGRAM**



Y  
G02998851

**Fig. 92: Identifying Rear Sunshade System Diagram**  
Courtesy of TOYOTA MOTOR SALES, U.S.A., INC.

## ON-VEHICLE INSPECTION

### 1. BASIC INSPECTION

- With the ignition switch ON, the shift lever in the P position and the rear sunshade fully open, press the rear sunshade switch built into the front or rear control switch. Check that the rear sunshade closes fully.
- After step (a), press the same switch again and check that the rear sunshade opens fully.
- With the ignition switch ON, the shift lever in the P position and the rear sunshade fully closed, move the shift lever into the R (reverse) position. Check that the rear sunshade opens fully.
- Turn the ignition switch OFF while the rear sunshade is moving up/down. Check that the rear sunshade stops moving.
- After step (d), turn the ignition switch ON and press the rear sunshade switch built into the front or rear control switch. Check that the rear sunshade opens fully.

**PROBLEM SYMPTOMS TABLE**

Symptom	Suspected Area
Rear sunshade does not operate in manual operation.	1. RR S/SHADE Relay 2. Rear sunshade switch (Front side) 3. Rear sunshade switch (Rear side) 4. Luggage room J/B ECU 5. Rear sunshade 6. Rear sunshade control relay 7. Wire harness
Rear sunshade does not operate automatically only when shift lever is moved into R position.	1. Luggage room J/B ECU 2. Rear sunshade control relay 3. Wire harness

G02998852

**Fig. 93: Problem Symptoms Table**

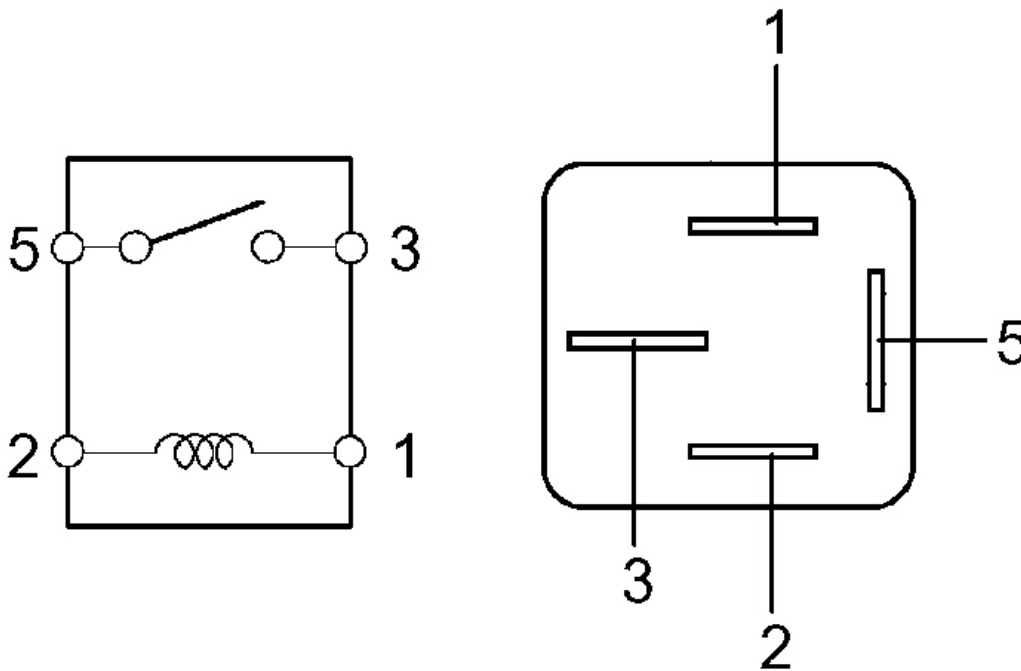
Courtesy of TOYOTA MOTOR SALES, U.S.A., INC.

**HINT:**

The rear sunshade system is part of the large-scale multiplex communication system. This system features shared communication wiring that reduces the wiring complexity of the communication lines. The first step in any repair is to confirm the proper operation of the communication system. Proceed with troubleshooting after the communication has been verified (see **MULTIPLEX COMMUNICATION SYSTEM** ).

**INSPECTION**

1. **INSPECT RELAY (Marking: RR S/SHADE)**
  - a. Remove the RR S/SHADE relay from the luggage room J/B.
  - b. Measure the resistance of the RR S/SHADE relay.



G02998853

**Fig. 94: Inspecting RR S/SHADE Relay**  
 Courtesy of TOYOTA MOTOR SALES, U.S.A., INC.

**Standard:**

**RR S/SHADE RELAY - RESISTANCE TABLE**

Tester Connection	Specified Condition
3 - 5	10 kohms or higher
3 - 5	Below 1 ohms (when battery voltage is applied to terminals 1 and 2)

If the result is not as specified, replace the relay.

**2. INSPECT TRACTION CONTROL SWITCH**

**(REAR SUNSHADE SWITCH FOR FRONT SIDE)**

- a. Measure the resistance of the switch.

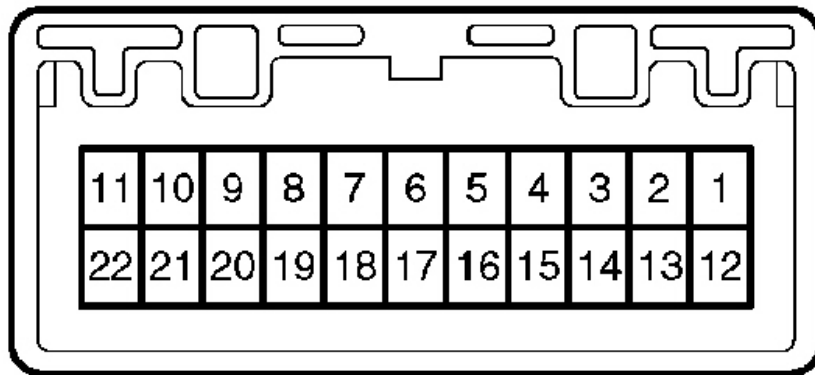
**Standard:**

2006 Lexus LS 430

2006 ACCESSORIES & EQUIPMENT Exterior/Interior Trim - LS430

**TRACTION CONTROL SWITCH - RESISTANCE TABLE**

Tester Connection	Switch Condition	Specified Condition
6 - 7	ON	Below 1 ohms
6 - 7	OFF	10 kohms or higher



N

G02998854

**Fig. 95: Inspecting Traction Control Switch (Rear Sunshade Switch For Front Side)**  
Courtesy of TOYOTA MOTOR SALES, U.S.A., INC.

If the result is not as specified, replace the switch.

**3. INSPECT REAR SUNSHADE SWITCH**

**(REAR SIDE)**

- a. Measure the resistance of the switch.

**Standard:**

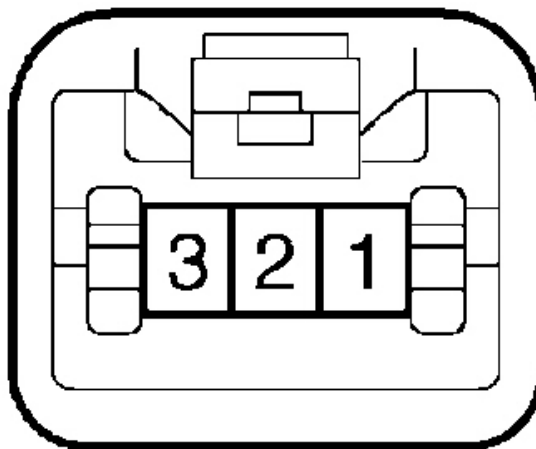
**REAR SUNSHADE SWITCH - RESISTANCE TABLE**

Tester Connection	Switch Condition	Specified Condition
1 - 2	ON	Below 1 ohms

1 - 2

OFF

10 kohms or higher



N

G02998855

**Fig. 96: Inspecting Rear Sunshade Switch**  
 Courtesy of TOYOTA MOTOR SALES, U.S.A., INC.

If the result is not as specified, replace the switch.

4. **INSPECT LUGGAGE ROOM JUNCTION BLOCK ECU**
  - a. Disconnect the relay connector.
  - b. Measure the voltage of each terminal of the wire harness side connector.

**Standard:**

**LUGGAGE ROOM JUNCTION BLOCK ECU - VOLTAGE TABLE**

Tester Connection	Condition	Specified Condition
1 (IG) - Body ground	Ignition switch ON	10 to 14 V
1 (IG) - Body ground	Ignition switch OFF or ACC	Below 1 V

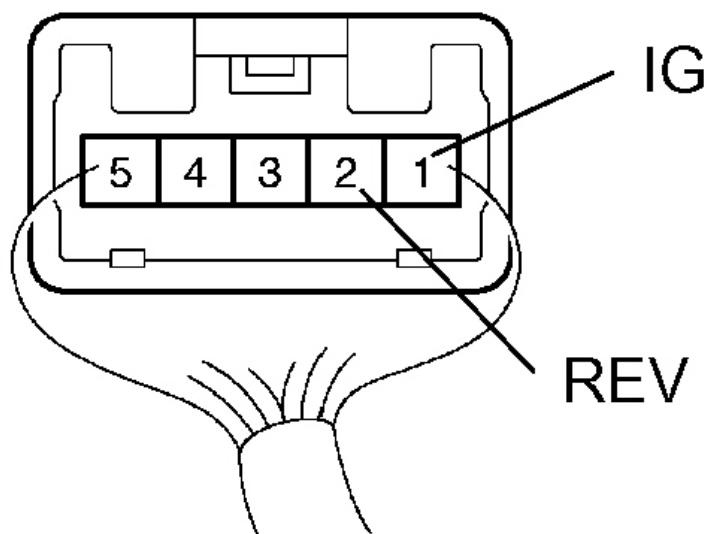


## 2006 Lexus LS 430

2006 ACCESSORIES & EQUIPMENT Exterior/Interior Trim - LS430

2 (REV) - Body ground	Ignition switch ON, Shift position R	10 to 14 V
2 (REV) - Body ground	Ignition switch ON, Shift position P	Below 1 V

### Rear Sunshade Control Relay



N

G02998856

**Fig. 97: Inspecting Luggage Room Junction Block ECU**  
Courtesy of TOYOTA MOTOR SALES, U.S.A., INC.

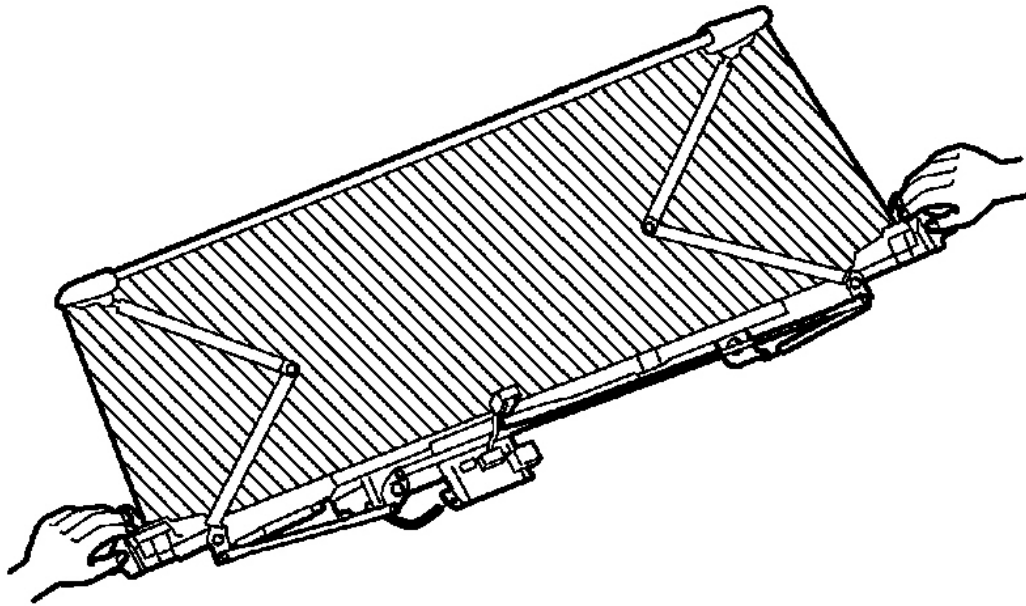
If the result is not as specified, luggage room J/B ECU or wire harness may have a malfunction.

#### 5. INSPECT REAR SUNSHADE

##### (MOTOR OPERATION)

- a. Hold the edge of the rear sunshade with your hands, as shown in **Fig. 98**.

**CAUTION:** Be careful when the rear sunshade raises and lowers.  
Something could get caught in the rear sunshade and cause an injury.



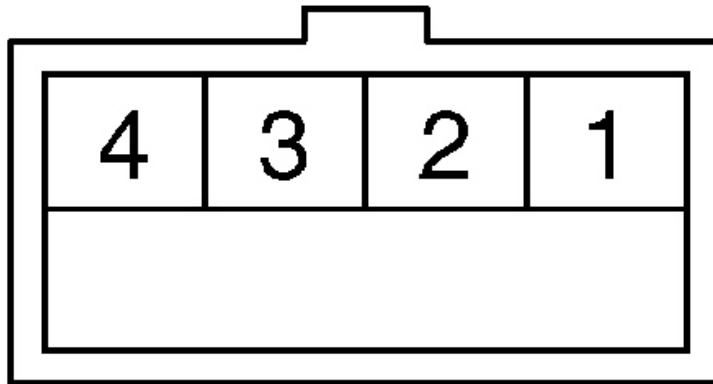
H

G02998857

**Fig. 98: Holding Edge Of Rear Sunshade**

Courtesy of TOYOTA MOTOR SALES, U.S.A., INC.

- b. Connect the battery's positive (+) lead to terminal 4 and negative (-) lead to terminal 3. Check that the rear sunshade moves up.

**N****G02998858****Fig. 99: Connecting Battery Terminals****Courtesy of TOYOTA MOTOR SALES, U.S.A., INC.**

- c. Reverse the polarity and check that the rear sunshade moves down.

**NOTE:** To prevent the motor from being burned, stop operation as soon as the rear sunshade is fully turned up or down.

If all the check results are as specified above and normal wire harness is confirmed, replace the rear sunshade control relay (see **REPLACEMENT** ).

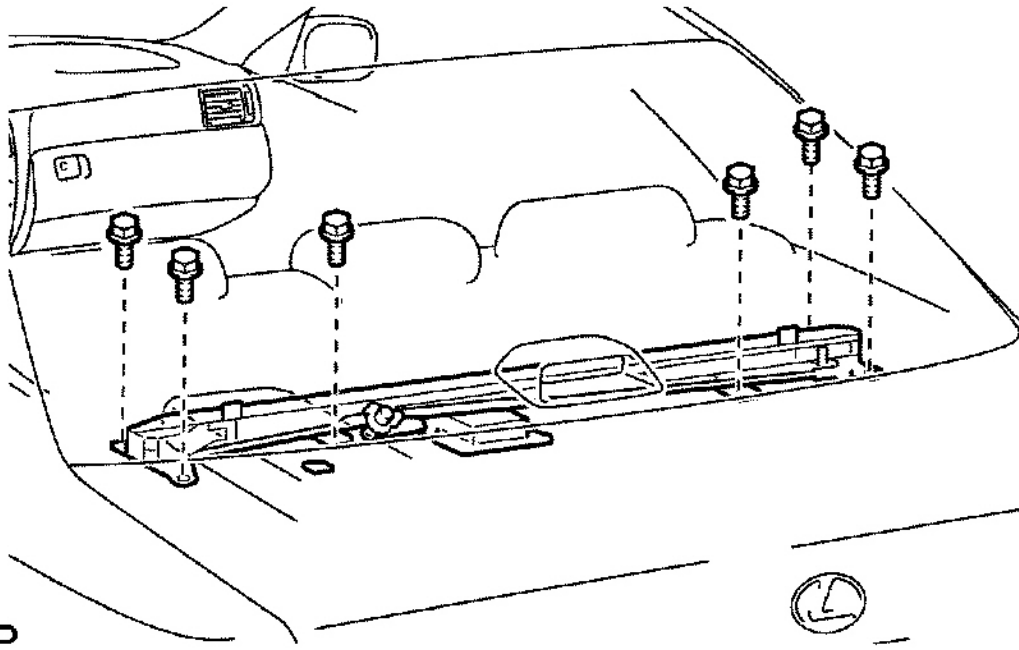
**REAR SUNSHADE****REPLACEMENT****HINT:**

- The installation procedures are the removal procedures in reverse order. However, only installation procedures requiring additional information are included.
- A bolt without a torque specification is shown in the standard bolt chart (see **SPECIFIED TORQUE** ).

**FOR STANDARD BOLTS** ).

1. **REMOVE PACKAGE TRAY TRIM PANEL ASSY (See REPLACEMENT )**
  - a. Remove the rear door scuff plate LH and RH.
  - b. Remove the rear door opening trim weatherstrip LH and RH.
  - c. Remove the rear seat side cover LH and RH.
  - d. Remove the roof side garnish inner LH and RH.
  - e. Remove the rear speaker grille.
  - f. Remove the package tray trim panel.
2. **REMOVE PACKAGE TRAY TRIM PANEL ASSY NO. 2 (See REPLACEMENT )**
  - a. Remove the center stop lamp.
  - b. Remove the package tray trim panel.
3. **REMOVE REAR SUNSHADE**
  - a. Disconnect the connector.
  - b. Remove the 6 bolts.
  - c. Remove the sunshade.

**NOTE:**        **Be careful not to damage the vehicle body and glass.**



P

G02998859

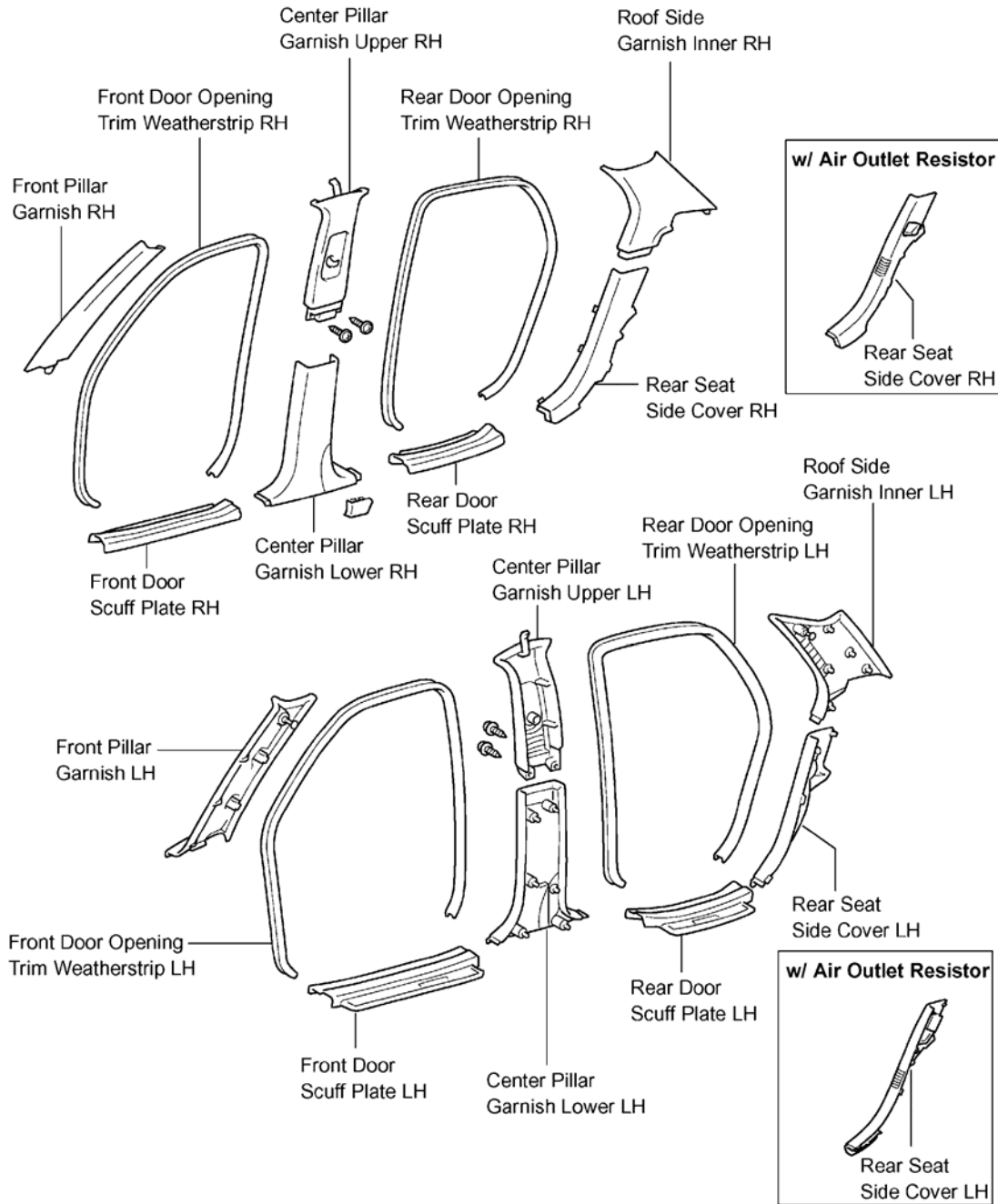
**Fig. 100: Removing Rear Sunshade**  
Courtesy of TOYOTA MOTOR SALES, U.S.A., INC.

## ROOF HEADLINING ASSY

### COMPONENTS

2006 Lexus LS 430

2006 ACCESSORIES & EQUIPMENT Exterior/Interior Trim - LS430

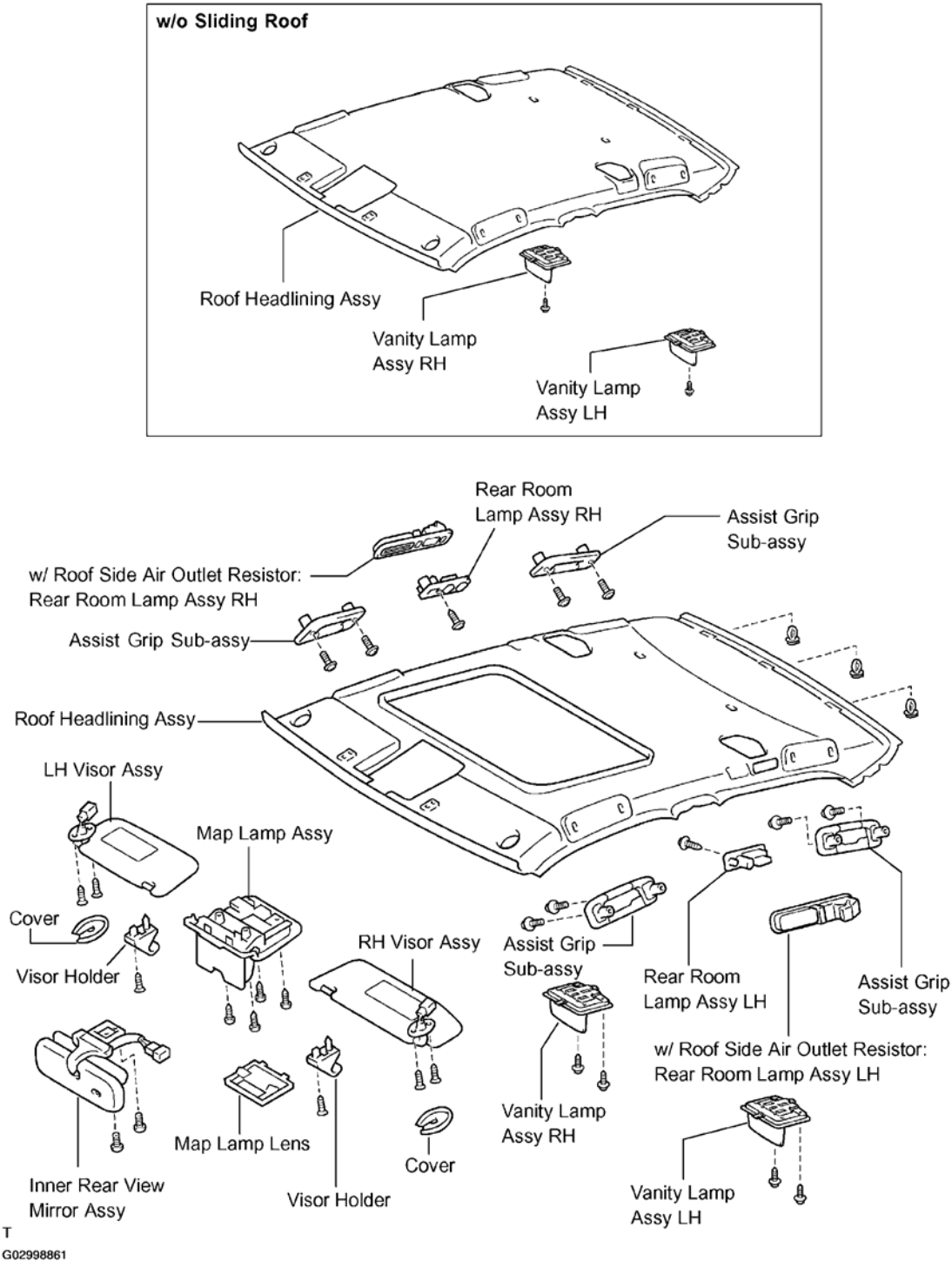


T  
G02998860

**Fig. 101: Exploded View Of Roof Headlining Assy**  
Courtesy of TOYOTA MOTOR SALES, U.S.A., INC.

# 2006 Lexus LS 430

2006 ACCESSORIES & EQUIPMENT Exterior/Interior Trim - LS430



**Fig. 102: Removing And Installing Of Roof Headlining Assy**  
Courtesy of TOYOTA MOTOR SALES, U.S.A., INC.

REPLACEMENT

## 2006 Lexus LS 430

2006 ACCESSORIES & EQUIPMENT Exterior/Interior Trim - LS430

### HINT:

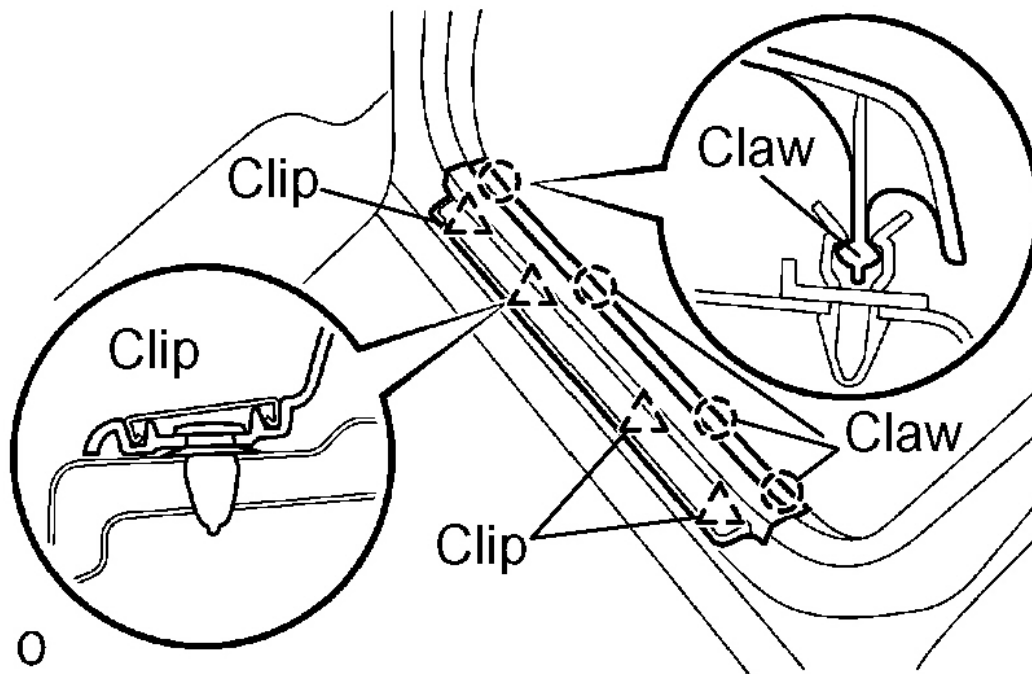
- The installation procedures are the removal procedures in reverse order.
- A bolt without a torque specification is shown in the standard bolt chart (see **SPECIFIED TORQUE FOR STANDARD BOLTS** ).

1. **REMOVE FRONT SEAT ASSY LH (See OVERHAUL )**
2. **REMOVE FRONT SEAT ASSY RH (See OVERHAUL )**
3. **REMOVE REAR SEAT CUSHION ASSY (FIXED TYPE REAR SEAT) (See OVERHAUL )**
4. **REMOVE REAR SEATBACK ASSY (FIXED TYPE REAR SEAT) (See step 4 in OVERHAUL )**
5. **REMOVE REAR SEAT CUSHION ASSY LH (POWER ADJUSTER TYPE) (See OVERHAUL )**
6. **REMOVE REAR SEAT CUSHION ASSY RH (POWER ADJUSTER TYPE) (See OVERHAUL )**
7. **REMOVE REAR SEAT ASSY LH (POWER ADJUSTER TYPE) (See OVERHAUL )**
8. **REMOVE REAR SEATBACK ASSY (POWER ADJUSTER TYPE) (See OVERHAUL )**
9. **REMOVE FRONT DOOR SCUFF PLATE LH**
  - a. Using a screwdriver, disengage the 4 claws and 4 clips, and remove the scuff plate.

### HINT:

Tape the screwdriver tip before use.





G02998862

**Fig. 103: Removing Front Door Scuff Plate**  
Courtesy of TOYOTA MOTOR SALES, U.S.A., INC.

**10. REMOVE FRONT DOOR SCUFF PLATE RH**

HINT:

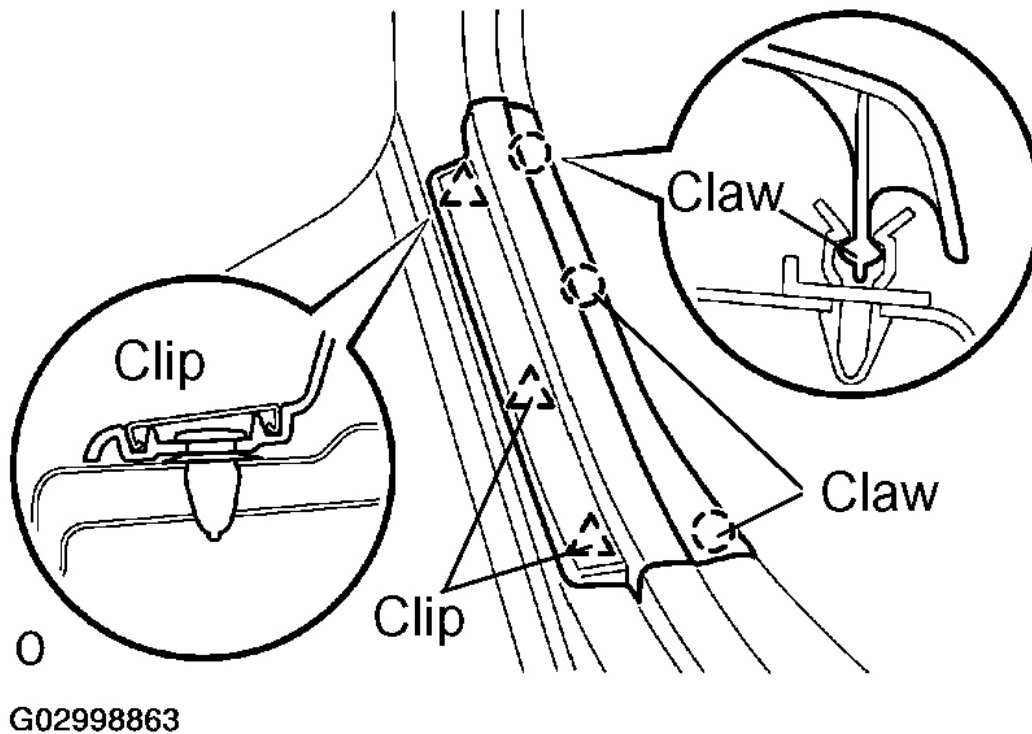
Use the same procedures described for the LH side.

**11. REMOVE REAR DOOR SCUFF PLATE LH**

- a. Using a screwdriver, disengage the 3 claws and 3 clips, and remove the scuff plate.

HINT:

Tape the screwdriver tip before use.



**Fig. 104: Removing Rear Door Scuff Plate**  
Courtesy of TOYOTA MOTOR SALES, U.S.A., INC.

**12. REMOVE REAR DOOR SCUFF PLATE RH**

HINT:

Use the same procedures described for the LH side.

**13. REMOVE FRONT DOOR OPENING TRIM WEATHERSTRIP LH**

**14. REMOVE FRONT DOOR OPENING TRIM WEATHERSTRIP RH**

**15. REMOVE REAR DOOR OPENING TRIM WEATHERSTRIP LH**

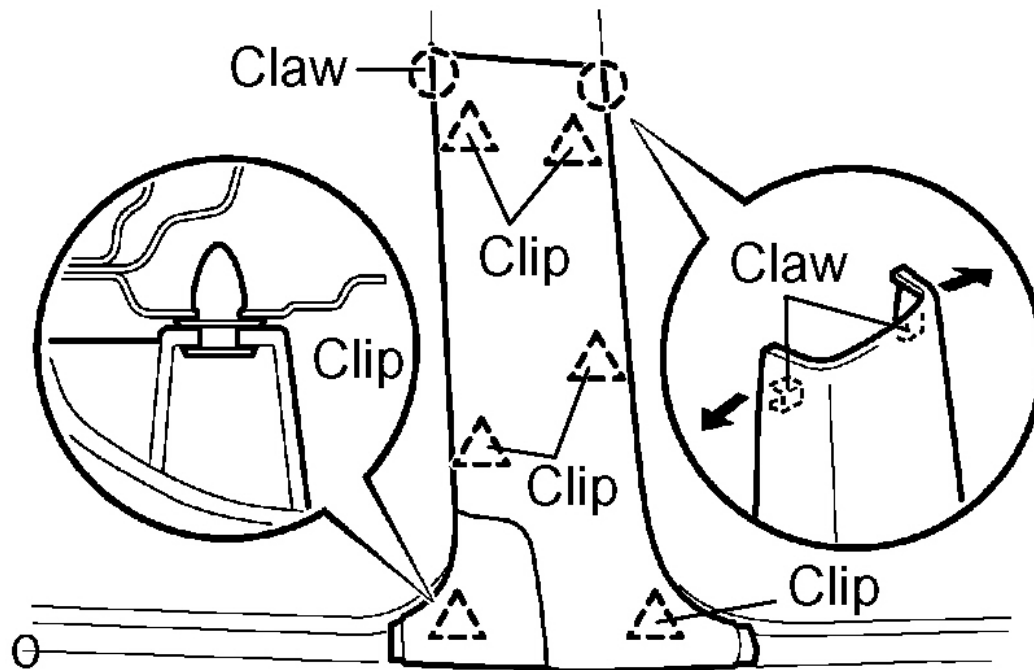
**16. REMOVE REAR DOOR OPENING TRIM WEATHERSTRIP RH**

**17. REMOVE CENTER PILLAR GARNISH LOWER LH**

- a. Using a screwdriver, disengage the 2 claws and 6 clips, and remove the garnish.

HINT:

Tape the screwdriver tip before use.



G02998864

**Fig. 105: Removing Center Pillar Garnish Lower**  
Courtesy of TOYOTA MOTOR SALES, U.S.A., INC.

**18. REMOVE CENTER PILLAR GARNISH LOWER RH**

HINT:

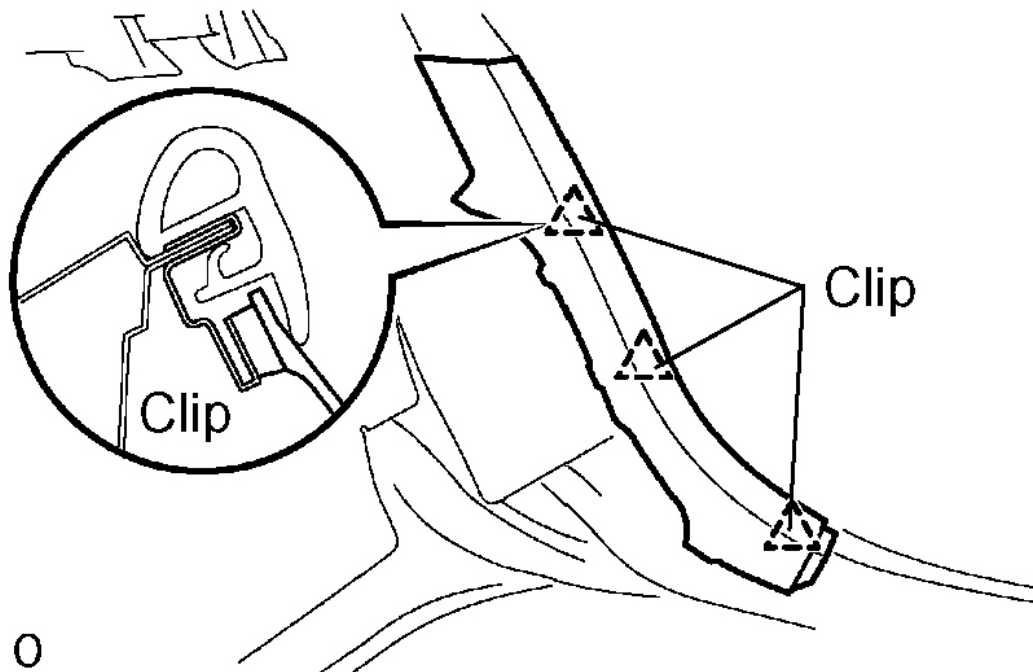
Use the same procedures described for the LH side.

**19. REMOVE REAR SEAT SIDE COVER LH**

- a. Using a screwdriver, disengage the 3 clips and remove the side cover.

HINT:

Tape the screwdriver tip before use.



G02998865

**Fig. 106: Removing Rear Seat Side Cover LH**  
Courtesy of TOYOTA MOTOR SALES, U.S.A., INC.

**20. REMOVE REAR SEAT SIDE COVER RH**

HINT:

Use the same procedures described for the LH side.

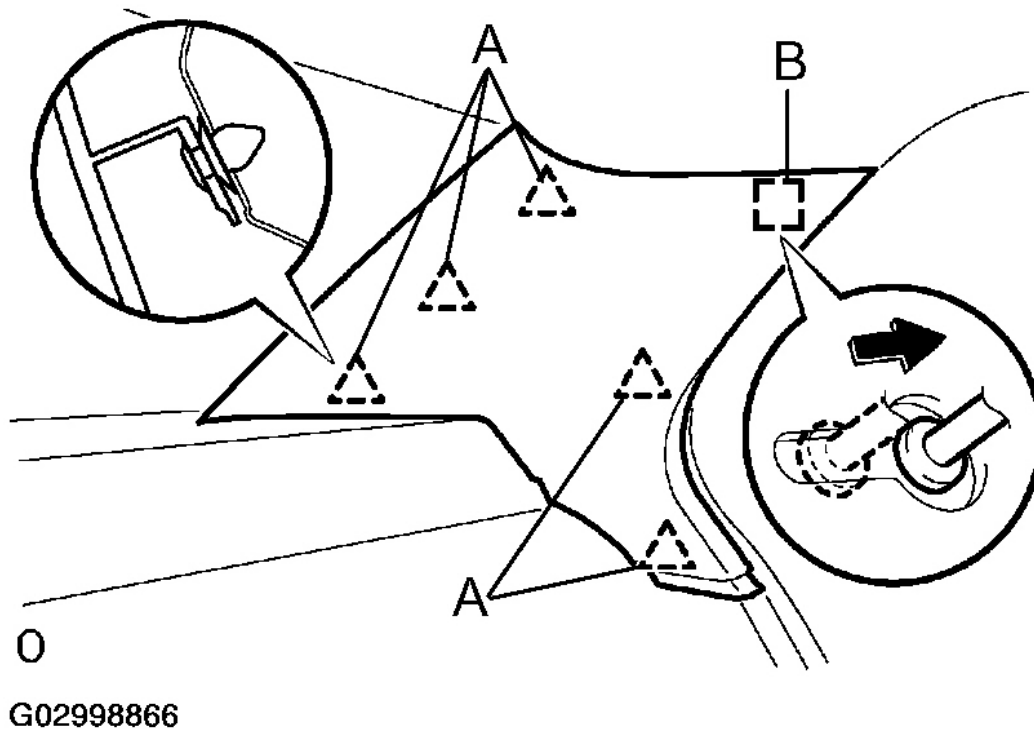
**21. REMOVE ROOF SIDE GARNISH INNER LH**

- a. Using a screwdriver, disengage the 5 clips labeled A and the clip labeled B. Then remove the garnish.

HINT:

Tape the screwdriver tip before use.

If the clips are damaged during removal, replace them.



**Fig. 107: Removing Roof Side Garnish Inner**  
 Courtesy of TOYOTA MOTOR SALES, U.S.A., INC.

**22. REMOVE ROOF SIDE GARNISH INNER RH**

HINT:

Use the same procedures described for the LH side.

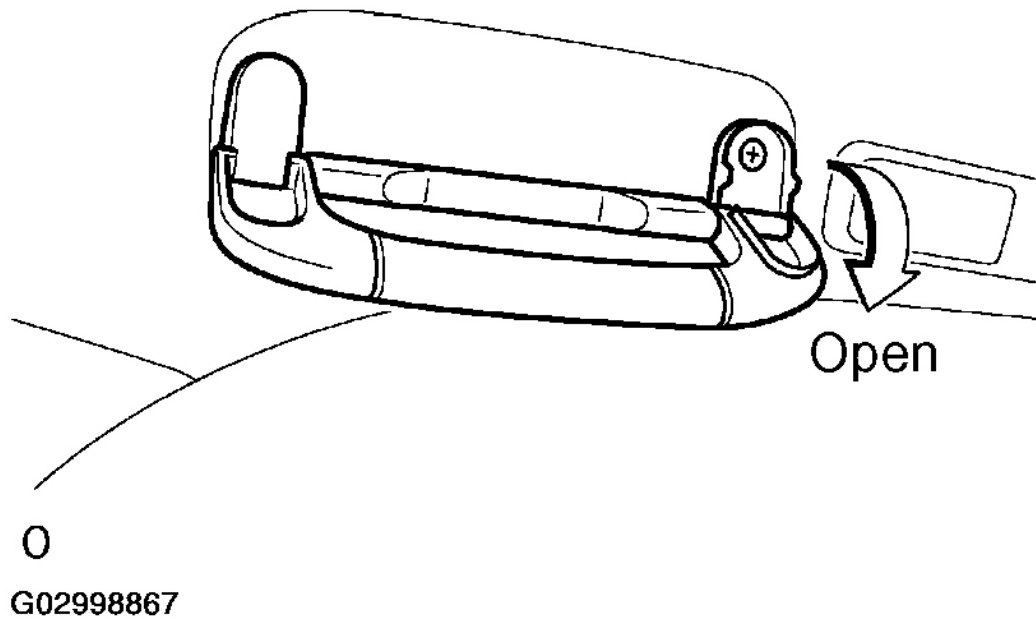
**23. REMOVE ASSIST GRIP SUB-ASSY**

- a. Using a screwdriver, open the screw cap.

HINT:

Tape the screwdriver tip before use.

- b. Remove the 2 screws and assist grip.

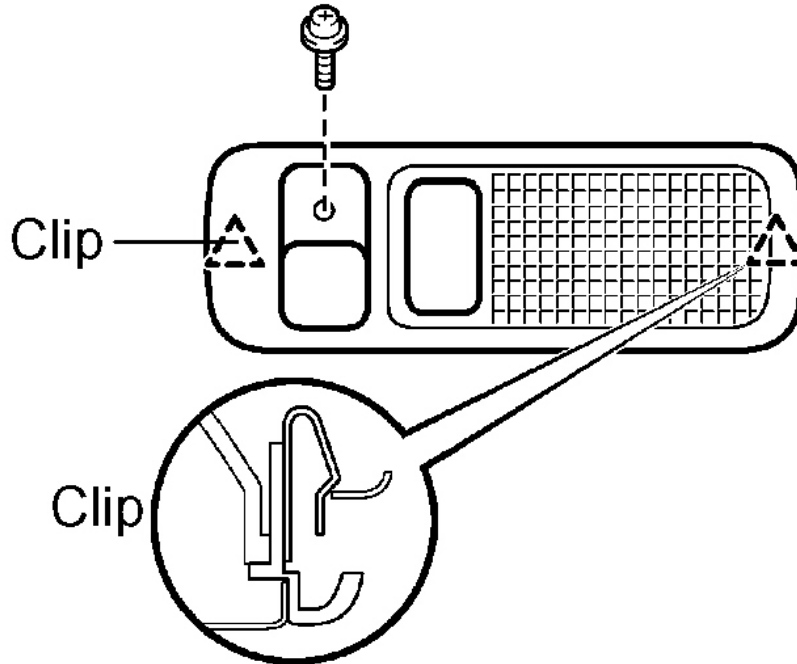


**Fig. 108: Removing Assist Grip Sub-Assy**  
Courtesy of TOYOTA MOTOR SALES, U.S.A., INC.

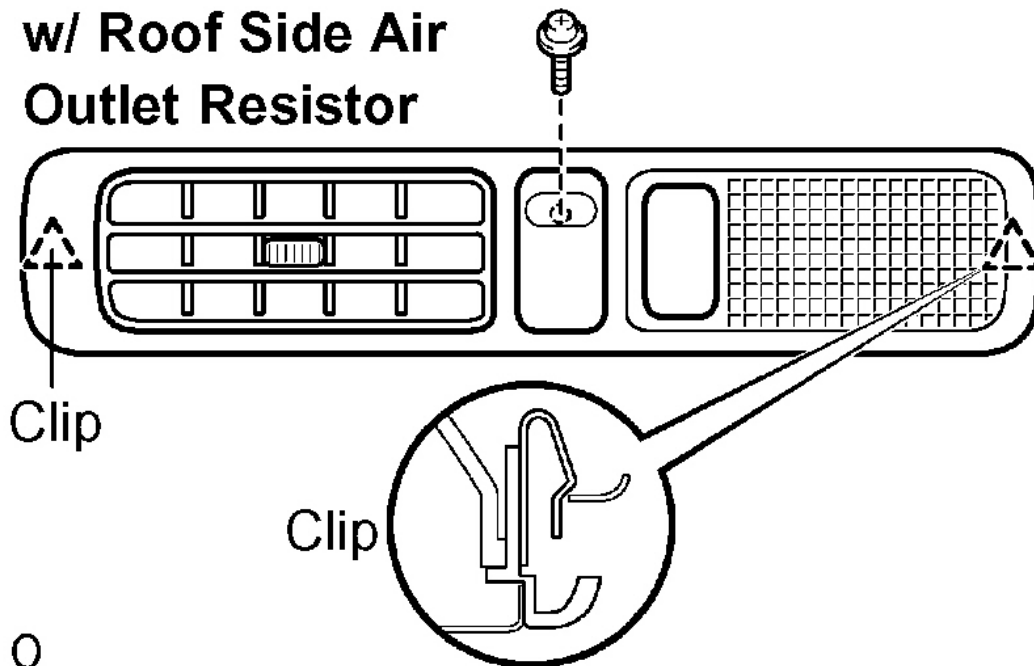
**24. REMOVE REAR ROOM LAMP ASSY LH**

- a. Remove the screw.
- b. Using a molding remover, disengage the 2 clips and remove the room lamp.
- c. Disconnect the room lamp connector.

### w/o Roof Side Air Outlet Resistor



### w/ Roof Side Air Outlet Resistor



0

G02998868

**Fig. 109: Removing Rear Room Lamp Assy**

Courtesy of TOYOTA MOTOR SALES, U.S.A., INC.

25. REMOVE REAR ROOM LAMP ASSY RH

HINT:

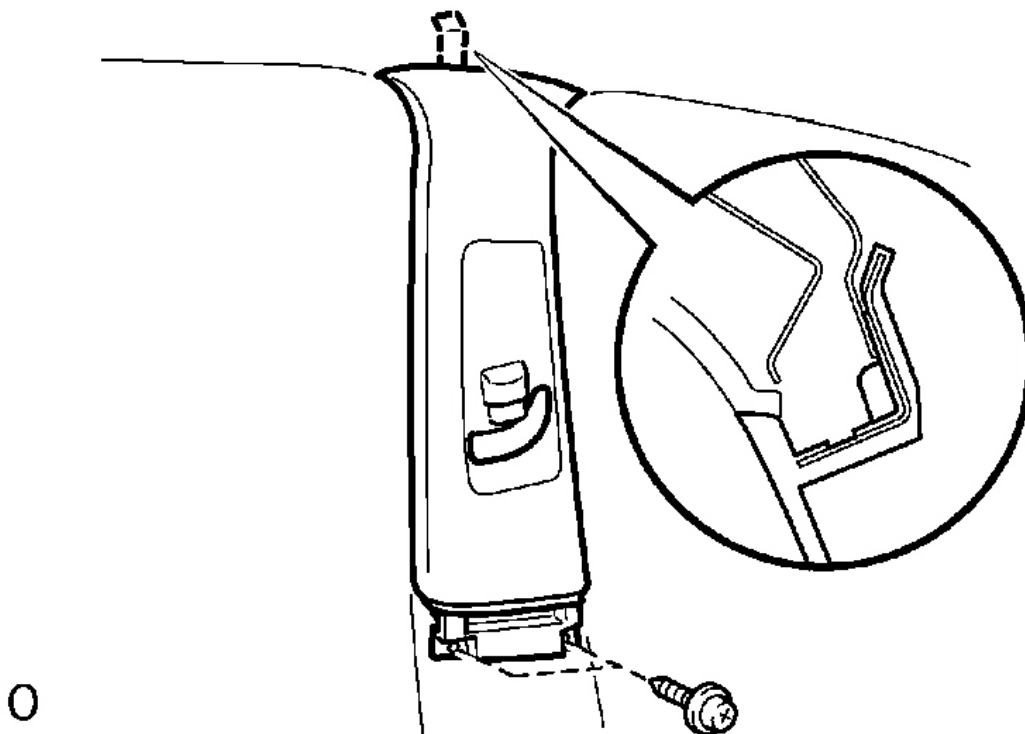
Use the same procedures described for the LH side.

26. REMOVE CENTER PILLAR GARNISH UPPER LH

- a. Remove the 2 screws.
- b. Using a screwdriver, disengage the claw and remove the garnish.

HINT:

Tape the screwdriver tip before use.



0

G02998869

**Fig. 110: Removing Center Pillar Garnish Upper**  
Courtesy of TOYOTA MOTOR SALES, U.S.A., INC.



**27. REMOVE CENTER PILLAR GARNISH UPPER RH**

HINT:

Use the same procedures described for the LH side.

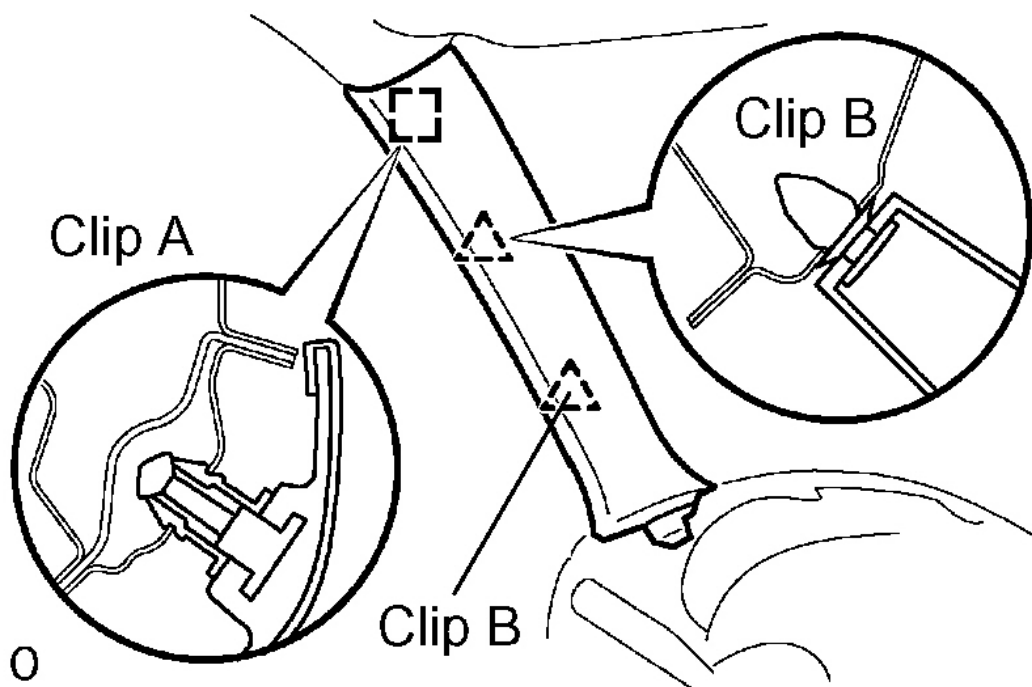
**28. REMOVE FRONT PILLAR GARNISH LH**

- a. Push the upper portion of the front pillar garnish, then pull and release the clip labeled A.
- b. Using a screwdriver, disengage the 2 clips labeled B and remove the garnish.

HINT:

Tape the screwdriver tip before use.

**NOTE:** When installing the front pillar garnish, use a new clip for the upper portion of front pillar garnish.



0

G02998870

**Fig. 111: Removing Front Pillar Garnish**  
Courtesy of TOYOTA MOTOR SALES, U.S.A., INC.

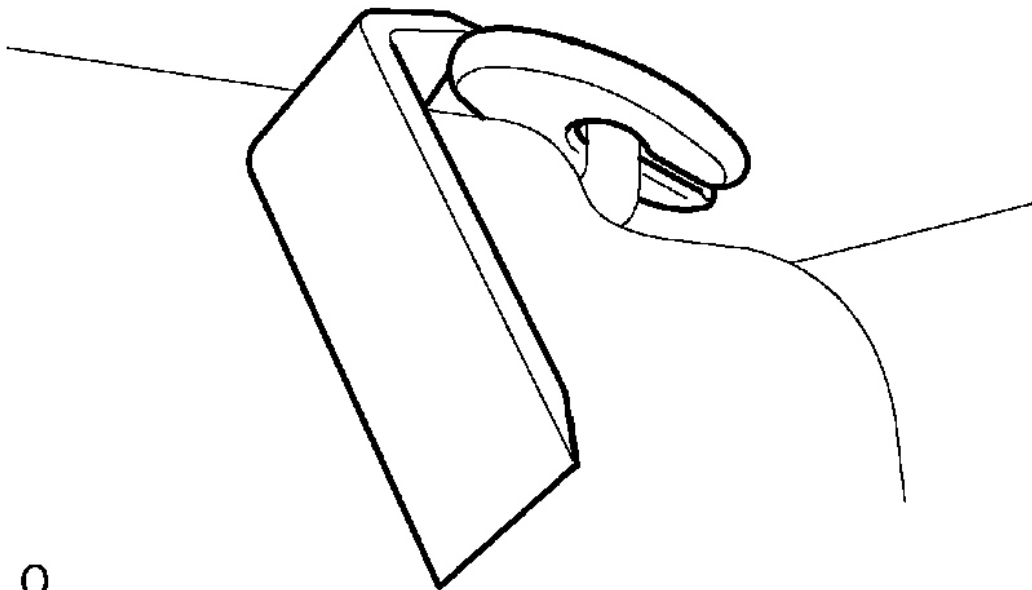
**29. REMOVE FRONT PILLAR GARNISH RH**

HINT:

Use the same procedures described for the LH side.

**30. REMOVE LH VISOR ASSY**

- a. Using a molding remover, pry out the visor cover.
- b. Remove the 2 screws.
- c. Disconnect the connector and remove the visor.



0

G02998871

**Fig. 112: Removing LH Visor Assy**  
Courtesy of TOYOTA MOTOR SALES, U.S.A., INC.

**31. REMOVE RH VISOR ASSY**

HINT:

Use the same procedures described for the LH side.

**32. REMOVE MAP LAMP ASSY**

- a. w/ LEXUS link system:

Open the control switch box.

- b. w/o LEXUS link system:

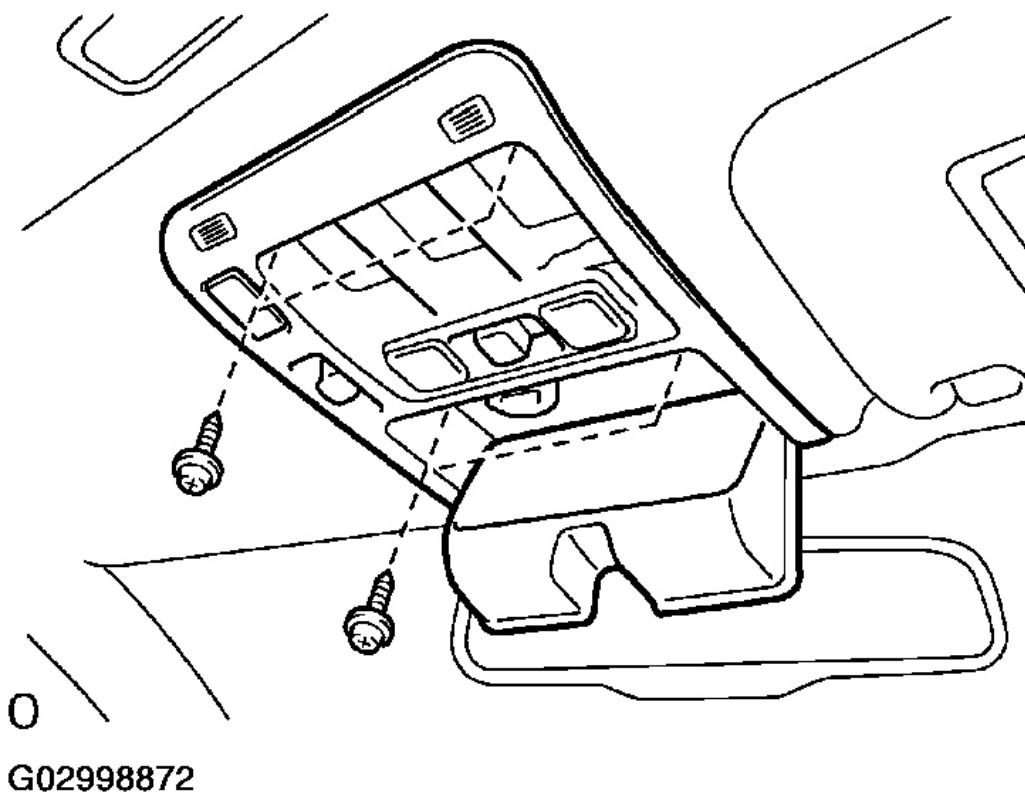
Open the upper console.

- c. Using a screwdriver, pry out the lens.

HINT:

Tape the screwdriver tip before use.

- d. Remove the 4 screws and map lamp, and then disconnect the connectors.

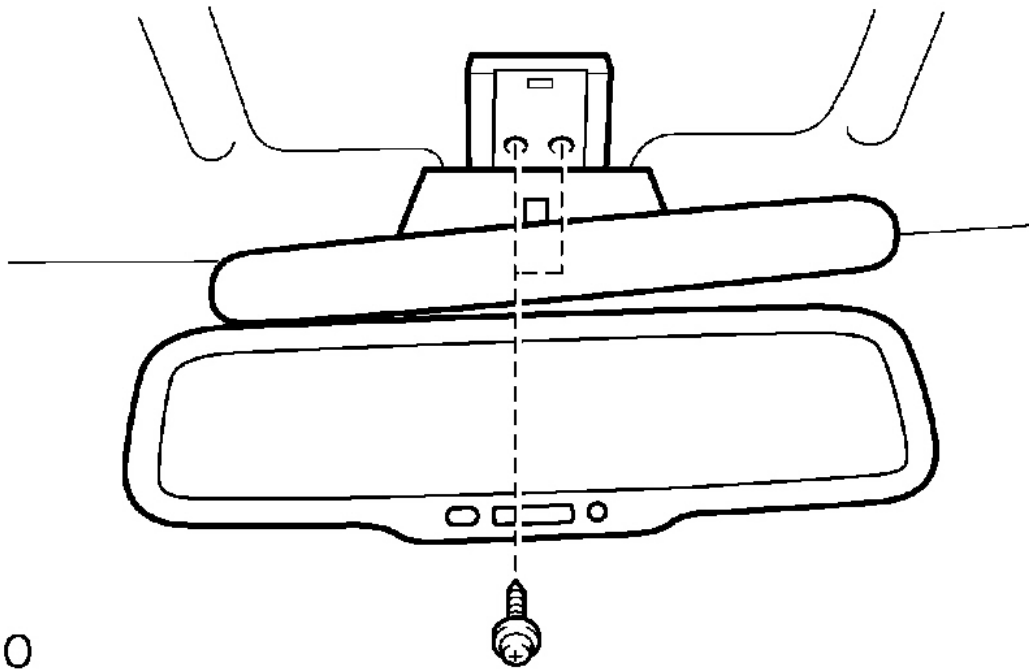


**Fig. 113: Removing Map Lamp Assy**  
Courtesy of TOYOTA MOTOR SALES, U.S.A., INC.

**33. REMOVE INNER REAR VIEW MIRROR ASSY**

- a. Remove the 2 screws and mirror.

- b. Disengage the connector from the body.
- c. Disconnect the connector.



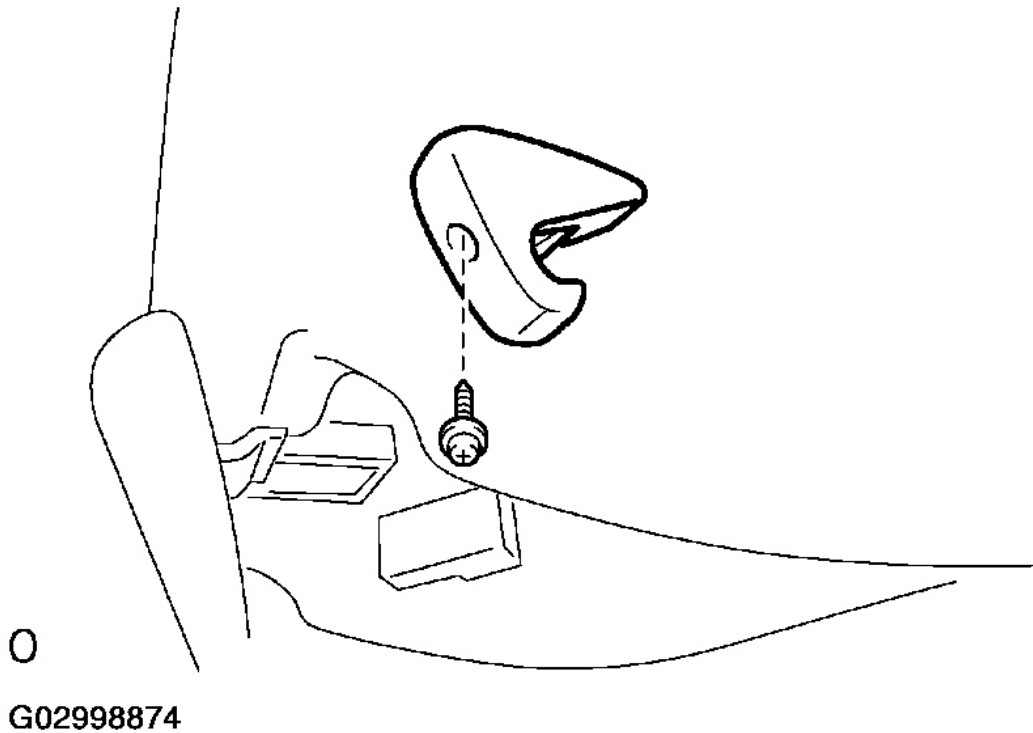
○

G02998873

**Fig. 114: Removing Inner Rear View Mirror Assy**  
Courtesy of TOYOTA MOTOR SALES, U.S.A., INC.

**34. REMOVE VISOR HOLDER**

- a. Remove the screw and visor holder.



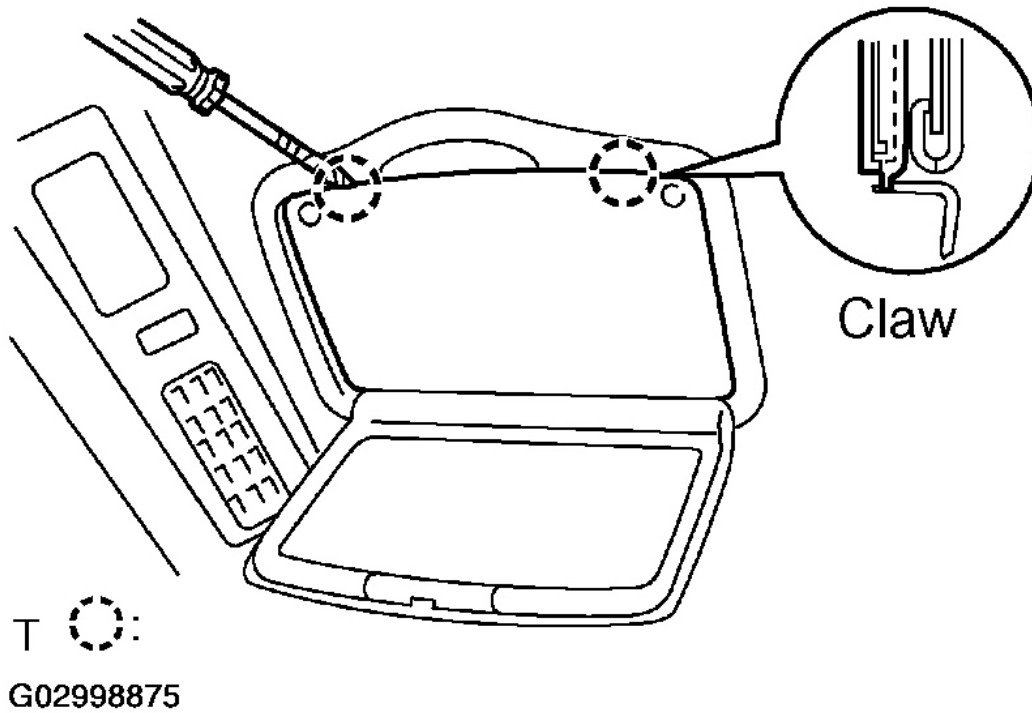
**Fig. 115: Removing Visor Holder**  
Courtesy of TOYOTA MOTOR SALES, U.S.A., INC.

**35. REMOVE VANITY LAMP ASSY LH**

- a. Using a screwdriver, disengage the 2 claws and remove the lens.

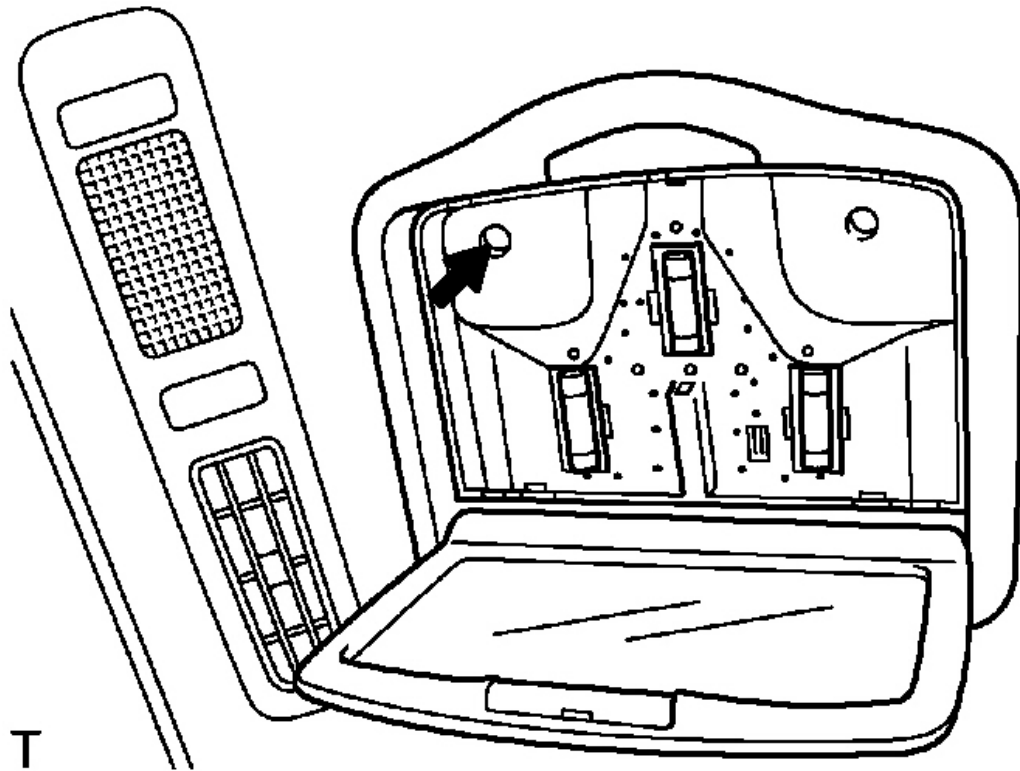
HINT:

Tape the screwdriver tip before use.



**Fig. 116: Disengaging Claws And Removing Lens**  
Courtesy of TOYOTA MOTOR SALES, U.S.A., INC.

- b. Remove the screw and vanity lamp.



T

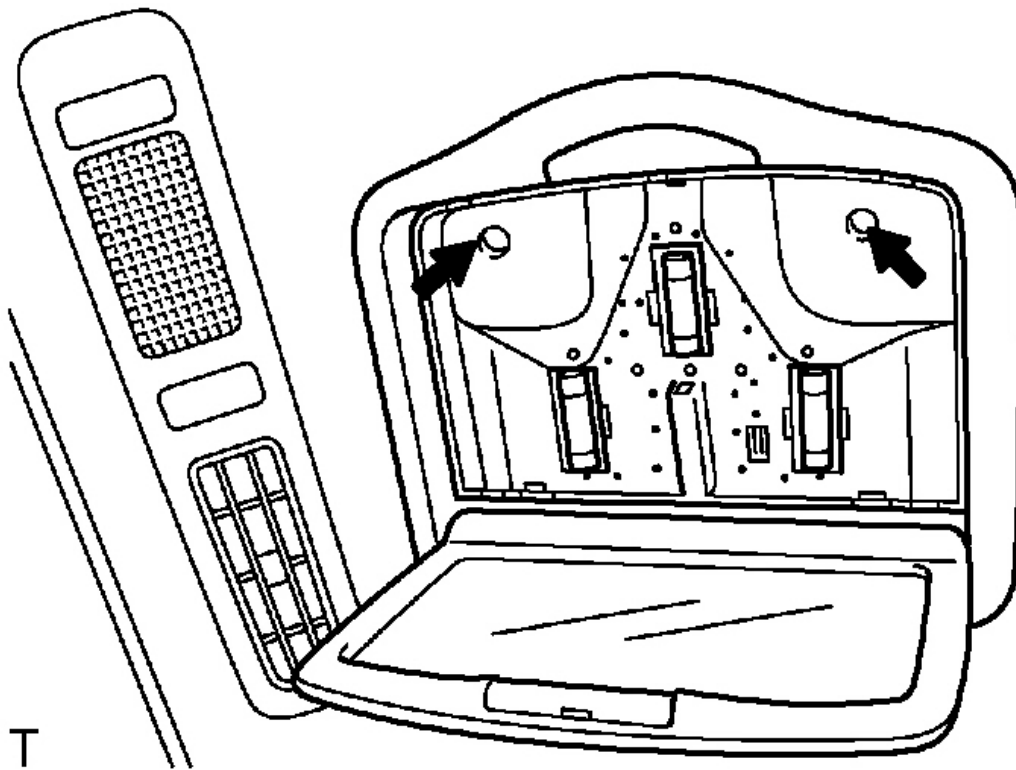
G02998876

**Fig. 117: Removing Screw And Vanity Lamp**

Courtesy of TOYOTA MOTOR SALES, U.S.A., INC.

c. w/ Sliding roof:

Remove the 2 screws and vanity lamp.



T

G02998877

**Fig. 118: Removing Vanity Lamp (W/Sliding Roof)**  
Courtesy of TOYOTA MOTOR SALES, U.S.A., INC.

**36. REMOVE VANITY LAMP ASSY RH**

HINT:

Use the same procedures described for the LH side.

**37. REMOVE ROOF HEADLINING ASSY**

- a. Disengage the 3 clips.
- b. Disengage the fasteners.
- c. w/ Sliding roof.

HINT:

- Slide the roof headlining rearward to release it from the front portion of the sliding roof

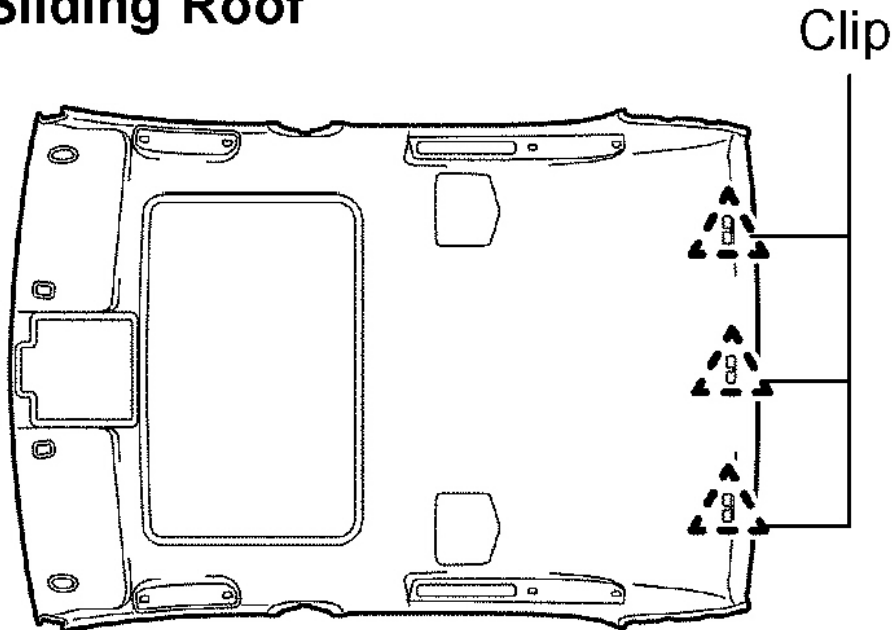


## 2006 Lexus LS 430

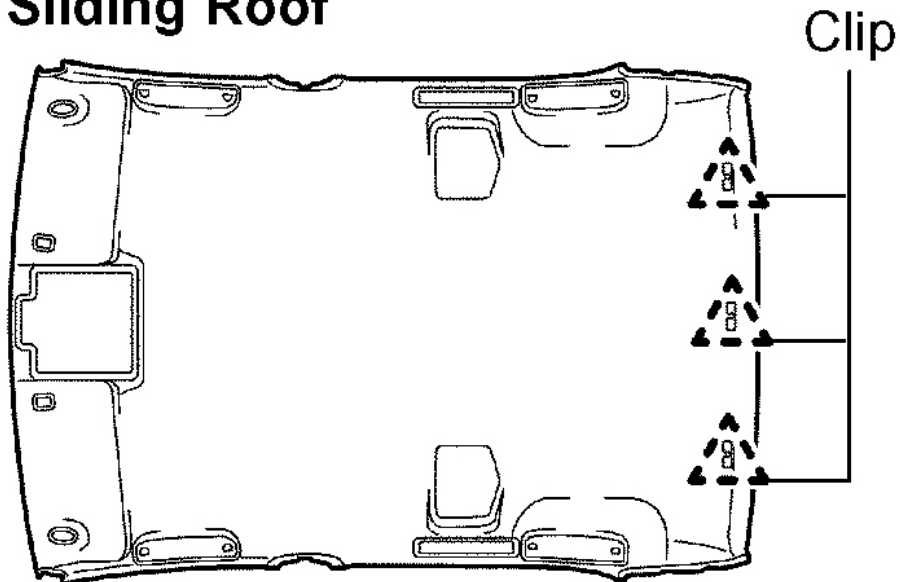
### 2006 ACCESSORIES & EQUIPMENT Exterior/Interior Trim - LS430

- housing.
- Slide the roof headlining forward to release it from the rear portion of the sliding roof housing.
- d. Pull the roof headlining down to remove it.

**w/ Sliding Roof**



**w/o Sliding Roof**



P

G02998878

**Fig. 119: Removing Roof Headlining Assy**

**2006 Lexus LS 430**

2006 ACCESSORIES & EQUIPMENT Exterior/Interior Trim - LS430

**Courtesy of TOYOTA MOTOR SALES, U.S.A., INC.**