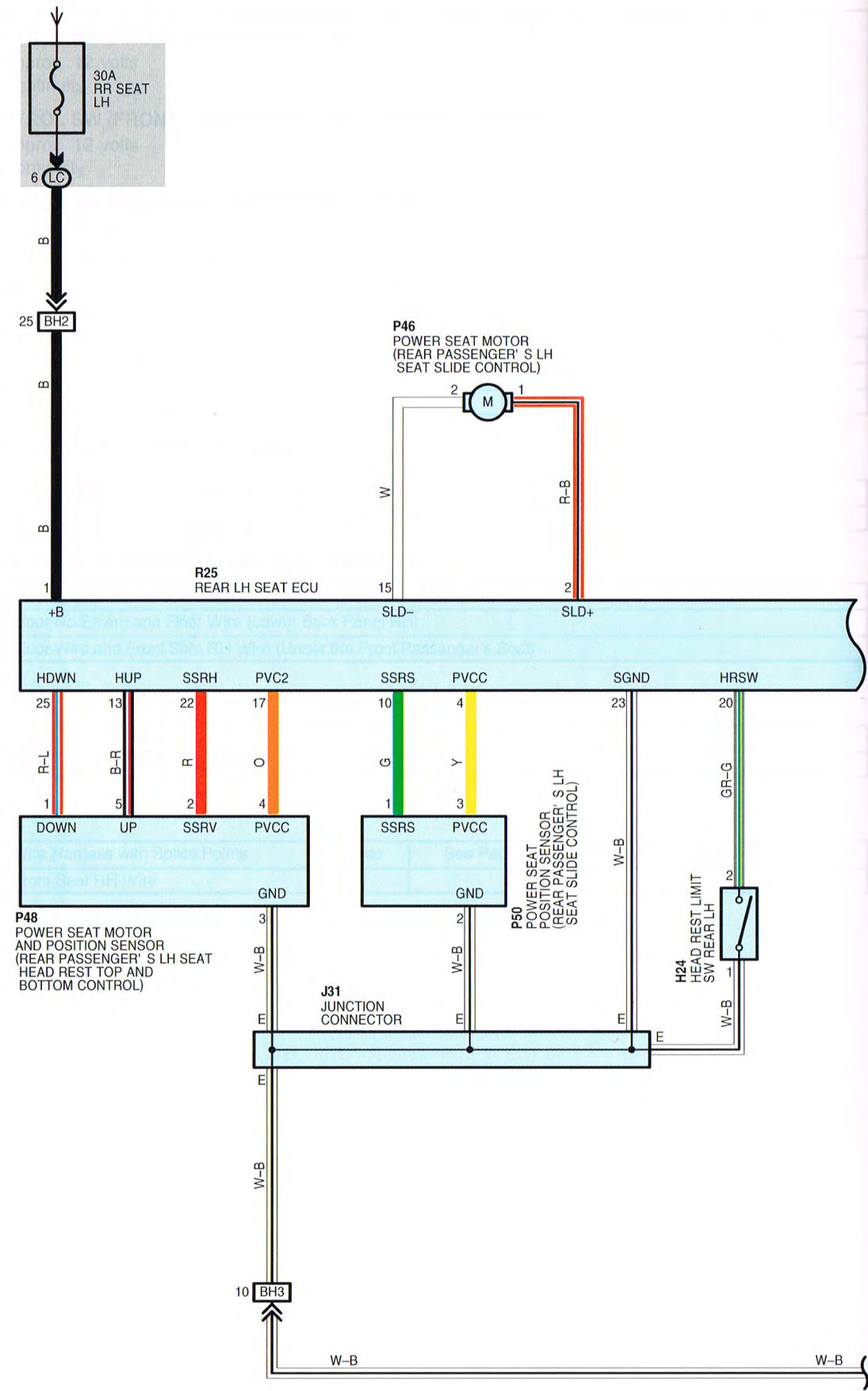
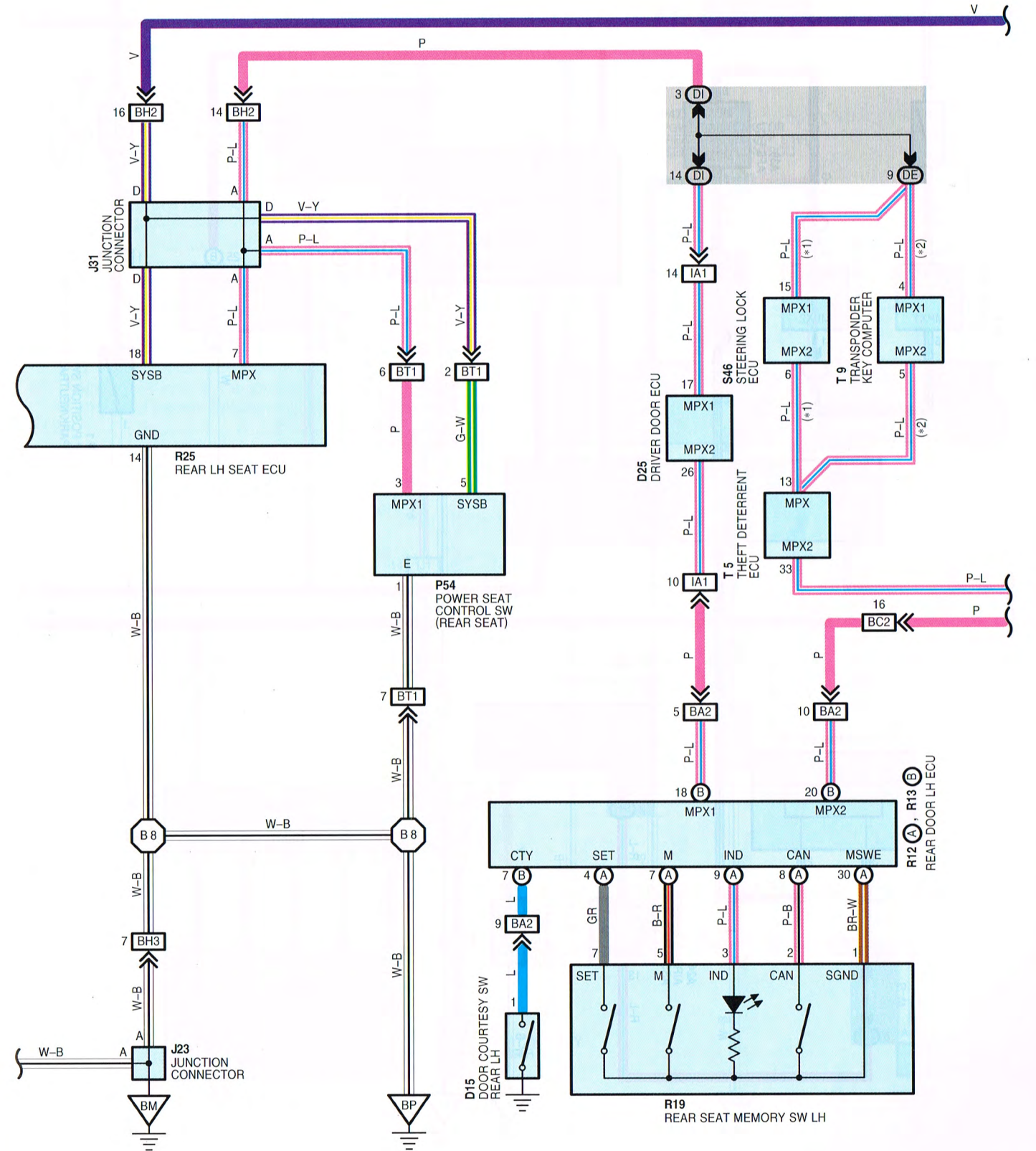


POWER SEAT (REAR PASSENGER'S SEAT)

FROM POWER SOURCE SYSTEM (SEE PAGE 72)

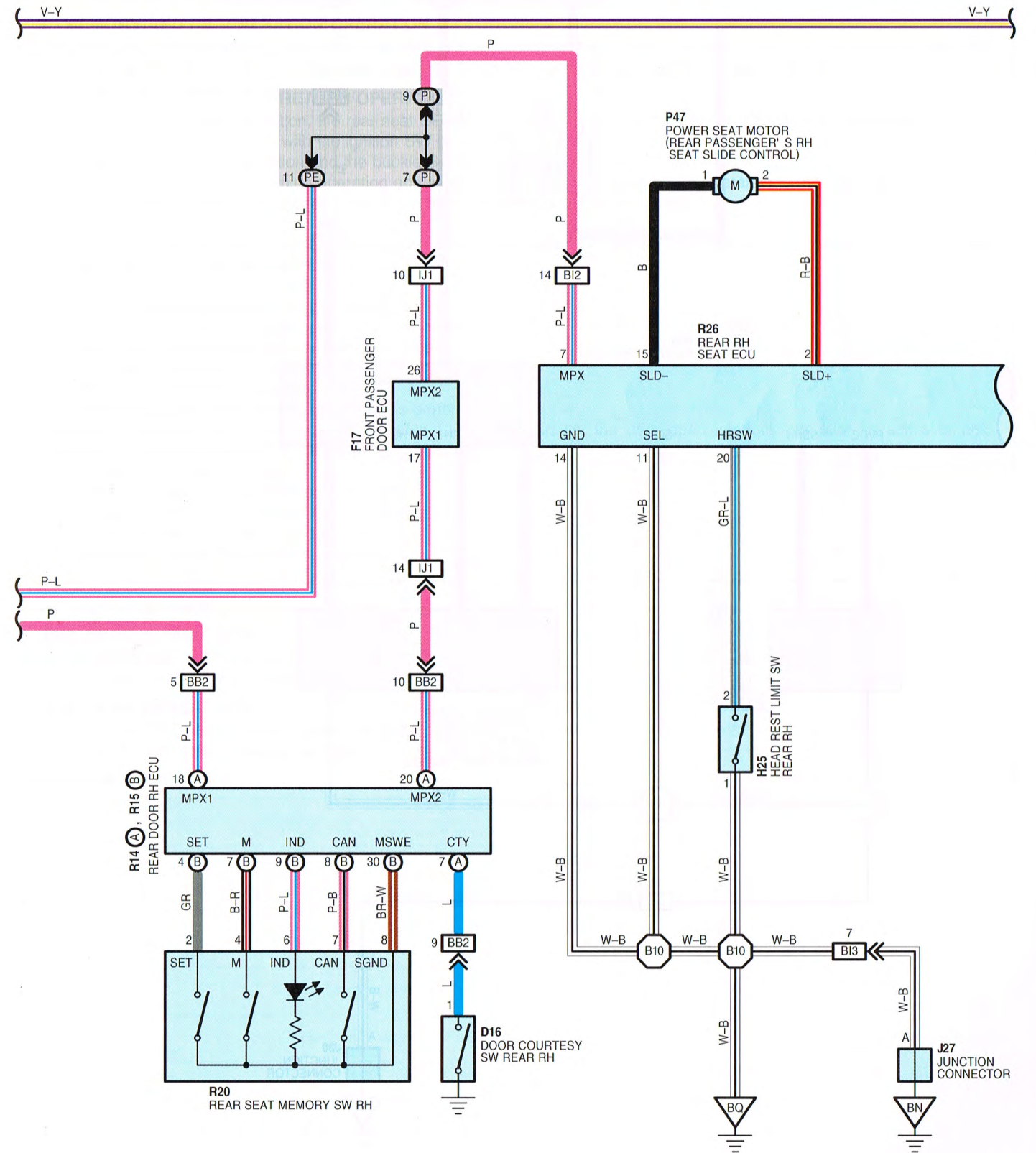
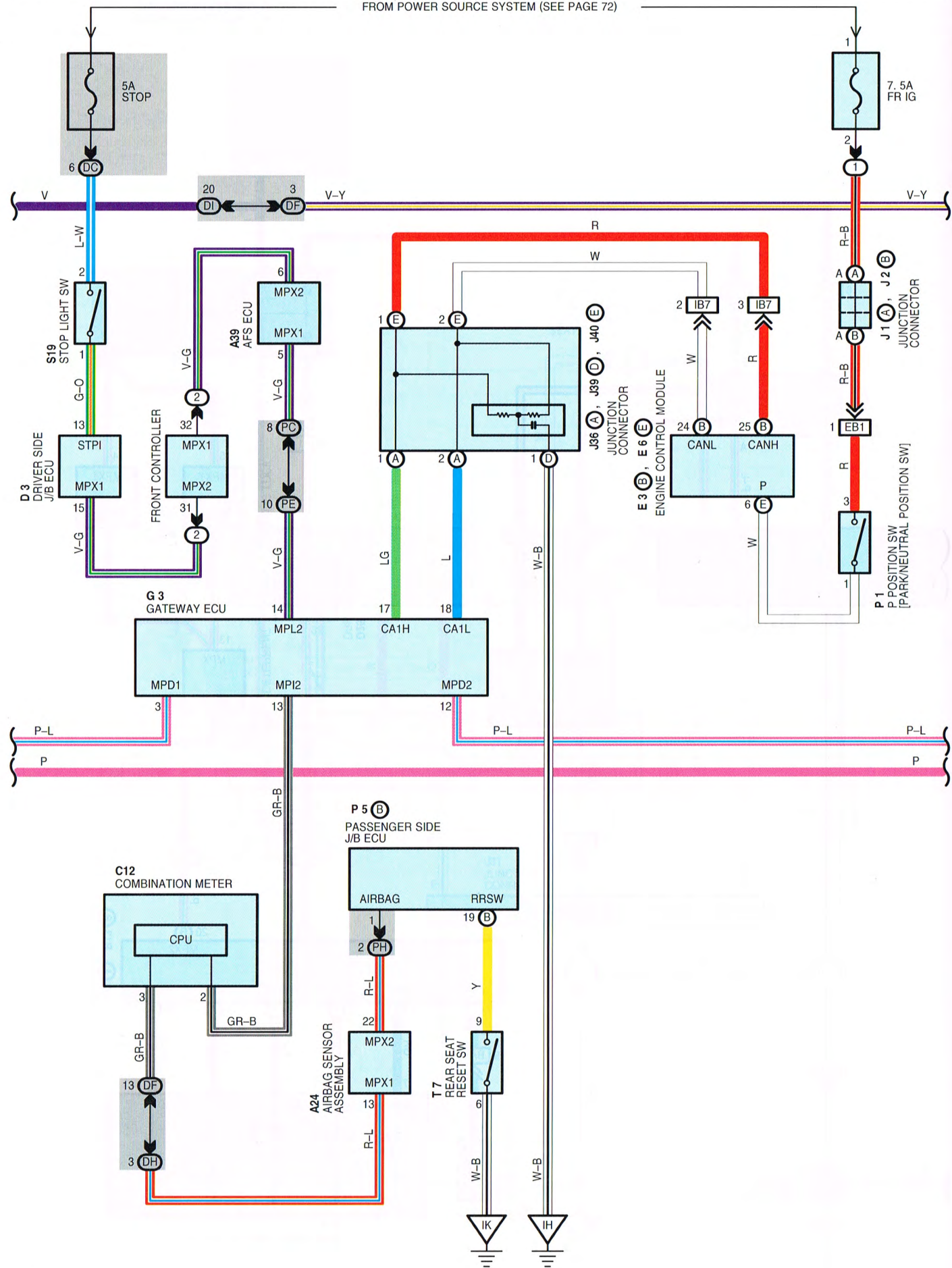


* 1 : W/ SMART KEY SYSTEM
* 2 : W/O SMART KEY SYSTEM



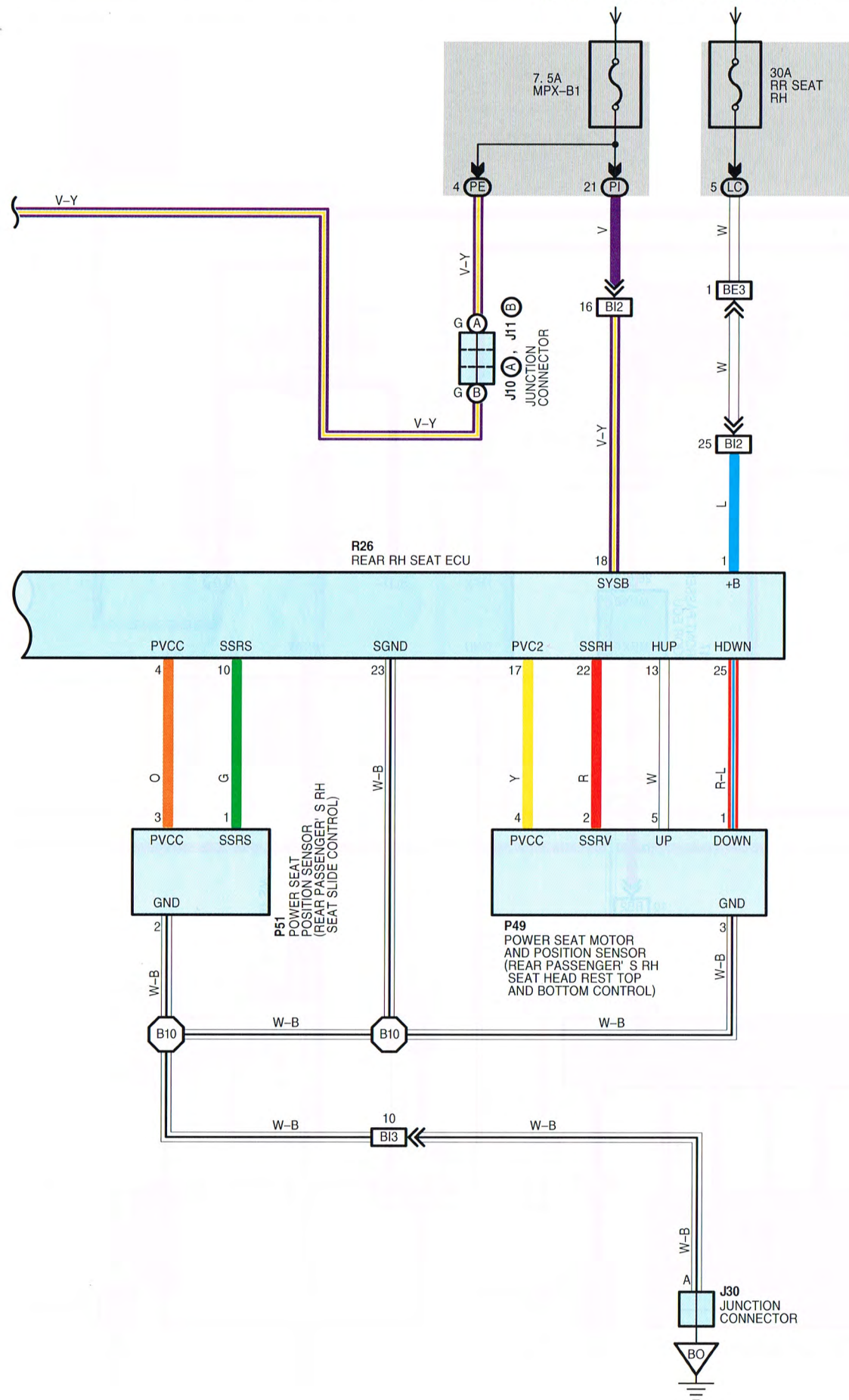
POWER SEAT (REAR PASSENGER'S SEAT)

FROM POWER SOURCE SYSTEM (SEE PAGE 72)



POWER SEAT (REAR PASSENGER'S SEAT)

FROM POWER SOURCE SYSTEM (SEE PAGE 72)



SYSTEM OUTLINE

1. MANUAL OPERATION

If the rear seat control SW is operated, the signal is sent to the rear seat ECU by the multiplex communication. As a result of that, the rear seat ECU controls the motor to operate and the rear seat slides or the headrest moves up or down, or back and forth so that the passenger adjust the position of the rear seat of headrest at will.

2. REAR SEAT RETURNING OPERATION

If the any of the rear doors is opened, the rear seat position is returned automatically to the original position before the sliding controlled by the rear seat ECU.

3. MEMORY AND REGENERATION OPERATION

The rear seat ECU detects the positions of the rear seat and the headrest by each position sensor. And by operating the rear seat memory SW, the positions of the power seat and the headrest can be memorized and regenerated.

4. DOOR OPEN INTERLOCK RETURN OPERATION

Using the multiplex communication, the rear seat ECU detects the rear door opening under the following conditions:

- * During rear doors are closed with the ignition SW being ON
- * Not during the manual operation and the buckle SW interlock operation
- * Not during the rear seat returning operation and when the door open interlock return operation is not canceled.
- * When the brake pedal is depressed while the vehicle speed becomes 5km/h or less
- * When the shift position is P

As a result of that, the rear seat ECU controls the motor to operate to move the rear seat position backward. However, the operation will stop under the following conditions:

- * When the ignition SW is turned to OFF
- * When the manual operation is performed
- * When the rear seat returning operation is performed
- * After about 30 seconds from the operation stops
- * When the motor lock is detected
- * When SET or C SW is turned to ON
- * When the buckle SW interlock operations is performed

Moreover, operating the C SW while the ignition SW is ON can set the door open interlock operation in active or not.

However, it can not be set under the following conditions:

- * During the manual operation
- * During the memory regeneration operation
- * During the door open interlock return operation
- * During the rear seat returning operation
- * During the buckle SW interlock operation

SERVICE HINTS

R25 REAR LH SEAT ECU

- 1, 18-GROUND : Always approx. 12 volts
- 14, 23-GROUND : Always continuity

R26 REAR RH SEAT ECU

- 1, 18-GROUND : Always approx. 12 volts
- 11, 14, 23-GROUND : Always continuity

POWER SEAT (REAR PASSENGER'S SEAT)

○ : PARTS LOCATION

Code	See Page	Code	See Page	Code	See Page
A24	46	J11	B 47	P54	55
A39	46	J23	51	R12	A 52
C12	46	J27	51	R13	B 52
D3	47	J30	51	R14	A 52
D15	50	J31	55	R15	B 52
D16	50	J36	A 47	R19	52
D25	50	J39	D 47	R20	52
E3	B 42	J40	E 47	R25	55
E6	E 42	P1	45	R26	55
F17	50	P5	B 48	S19	49
G3	47	P46	55	S46	49
H24	55	P47	55	T5	49
H25	55	P48	55	T7	49
J1	A 44	P49	55	T9	49
J2	B 44	P50	55		
J10	A 47	P51	55		

○ : RELAY BLOCKS

Code	See Page	Relay Blocks (Relay Block Location)
1	24	Engine Room No.1 R/B (Engine Compartment Left)
2	25	Engine Room No.2 R/B (Engine Compartment Left)

○ : JUNCTION BLOCK AND WIRE HARNESS CONNECTOR

Code	See Page	Junction Block and Wire Harness (Connector Location)
DC	30	Engine Room Main Wire and Driver Side J/B (Left Kick Panel)
DE	29	Instrument Panel Wire and Driver Side J/B (Left Kick Panel)
DF		
DH		
DI	31	Floor No.2 Wire and Driver Side J/B (Left Kick Panel)
LC	40	Floor No.2 Wire and Luggage Room J/B (Luggage Room Left)
PC	35	Engine Room Main Wire and Passenger Side J/B (Right Kick Panel)
PE	36	Instrument Panel Wire and Passenger Side J/B (Right Kick Panel)
PH		
PI		
PI	37	Floor Wire and Passenger Side J/B (Right Kick Panel)

□ : CONNECTOR JOINING WIRE HARNESS AND WIRE HARNESS

Code	See Page	Joining Wire Harness and Wire Harness (Connector Location)
EB1	56	Engine Wire and Engine Room Main Wire (Inside of ECU Box)
IA1	58	Front Door LH Wire and Floor No.2 Wire (Left Kick Panel)
IB7	58	Instrument Panel Wire and Engine Room Main Wire (Cowl Side Panel LH)
IJ1	60	Front Door RH Wire and Floor Wire (Right Kick Panel)
BA2	62	Rear Door No.2 Wire and Floor No.2 Wire (Left Center Pillar)
BB2	62	Rear Door No.1 Wire and Floor Wire (Right Center Pillar)
BC2	62	Floor No.2 Wire and Floor Wire (Rear Floor Partition Panel LH)
BE3	62	Floor No.2 Wire and Floor Wire (Lower Back Panel RH)
BH2	68	Rear Seat LH Wire and Floor No.2 Wire (Under the Rear Passenger's LH Seat)
BH3		
BI2	68	Rear Seat RH Wire and Floor Wire (Under the Rear Passenger's RH Seat)
BI3		
BT1	68	Switch Wire and Rear Seat LH Wire (Back the Rear Seat LH)

▽ : GROUND POINTS

Code	See Page	Ground Points Location
IH	58	Right Side of Shift Lever
IK	58	Cowl Side Panel RH
BM	62	Quarter Panel LH
BN	62	Rear Floor Partition Panel RH
BO	62	Quarter Panel RH
BP	68	Rear Passenger LH Seat Back
BQ	68	Rear Passenger RH Seat Back

○ : SPLICE POINTS

Code	See Page	Wire Harness with Splice Points	Code	See Page	Wire Harness with Splice Points
B8	68	Rear Seat LH Wire	B10	68	Rear Seat RH Wire