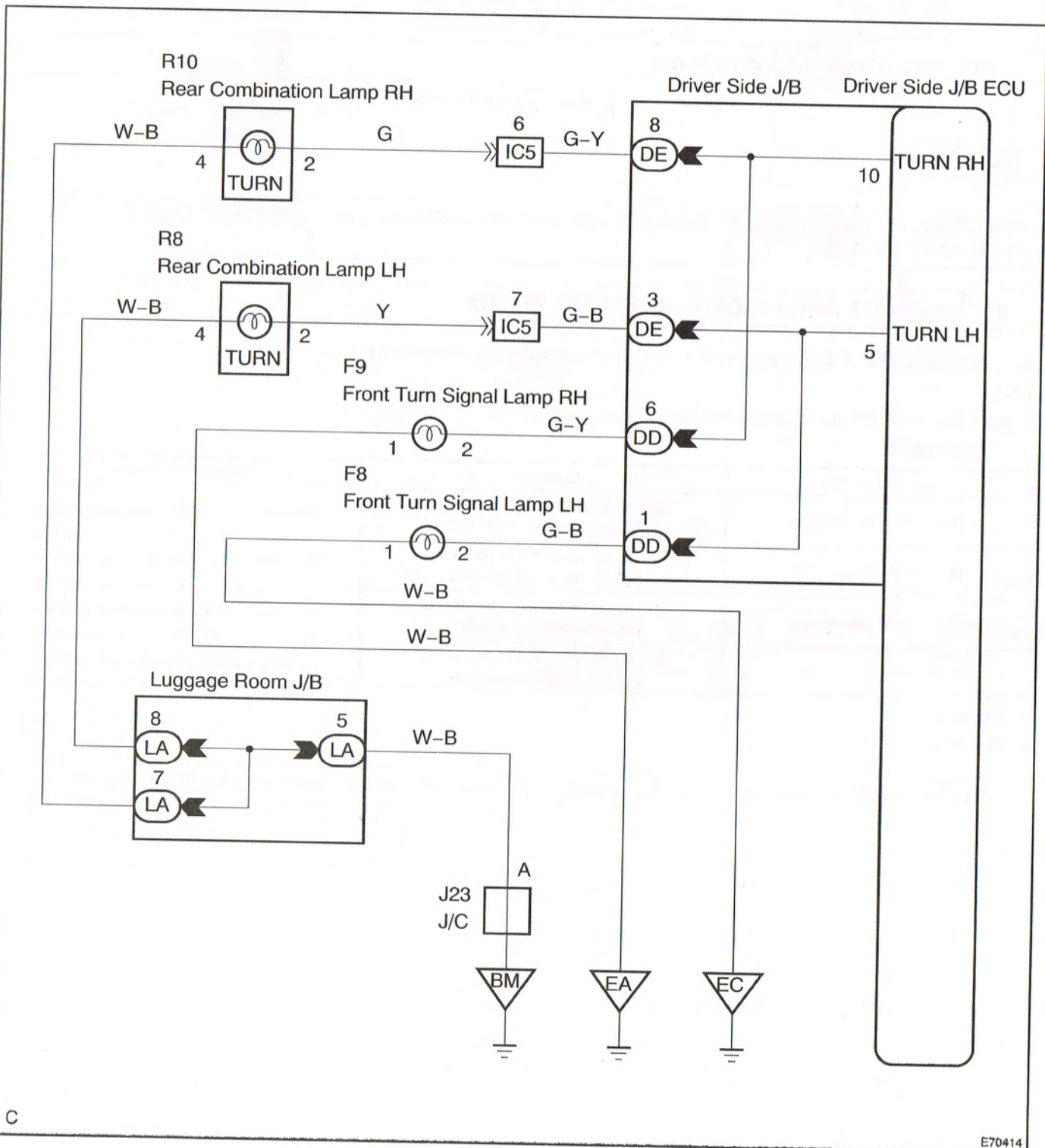


TURN SIGNAL LIGHT CIRCUIT

CIRCUIT DESCRIPTION

Receiving the signal of the turn signal switch from the driver side junction block ECU, the driver side junction block ECU makes the turn signal lamp come on. The driver side junction block ECU activates the flasher relay while the theft deterrent system gives the warning and turns on the turn signal lamp and the hazard warning light.

WIRING DIAGRAM



INSPECTION PROCEDURE

1 | PERFORM ACTIVE TEST USING HAND-HELD TESTER

- Connect the hand-held tester to the DLC3.
- Turn the ignition switch to the ON position and turn the hand-held tester main switch on.
- Select the item below in the ACTIVE TEST and then check the turn signal lamp operation.

BODY NO.2 (DRIVER SIDE JUNCTION BLOCK ECU):

Item	Test Details	Diagnostic Note
TRN SIG LGT R	Turn lamp RH relay operation ON/OFF	-
TRN SIG LGT L	Turn lamp LH relay operation ON/OFF	-

OK: Turn signal lamp comes on.

NG

Go to step 2

OK

**PROCEED TO NEXT CIRCUIT INSPECTION SHOWN IN PROBLEM SYMPTOMS TABLE
(SEE PAGE 05-1393)**

2 | INSPECT DRIVER SIDE JUNCTION BLOCK

- Measure the voltage according to the value(s) in the table below.

HINT:

Inspect the side the suspected malfunctioning part is on.

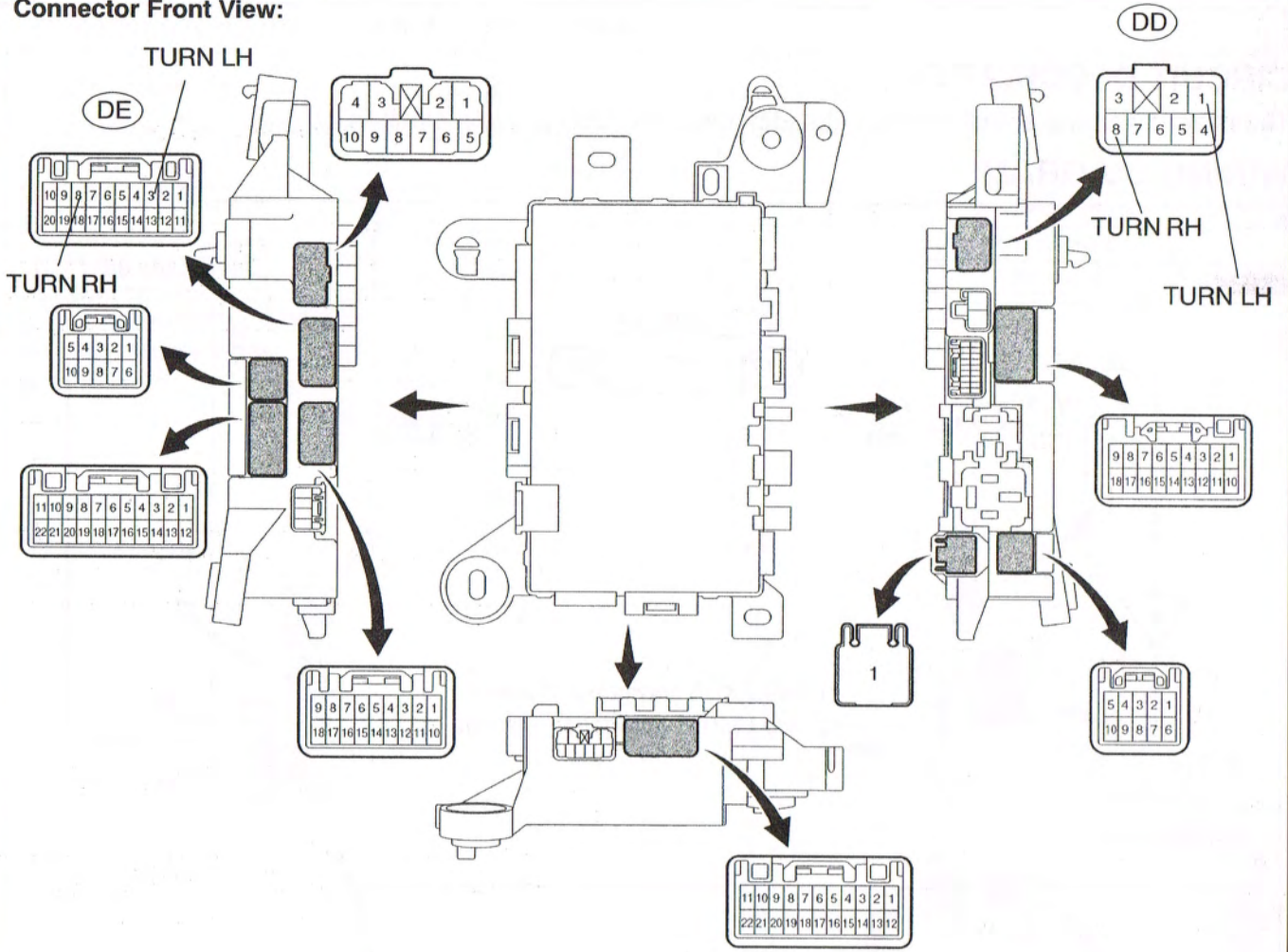
Standard:

Tester Connection	Condition	Specified Condition
DD-1 - Body ground (*1)	Turn signal switch in LH position or Hazard warning switch ON.	10 to 14 V (60 to 120 times per minute)
DD-6 - Body ground (*2)	Turn signal switch in RH position or Hazard warning switch ON.	10 to 14 V (60 to 120 times per minute)
DE-3 - Body ground (*1)	Turn signal switch in LH position or Hazard warning switch ON.	10 to 14 V (60 to 120 times per minute)
DE-8 - Body ground (*2)	Turn signal switch in RH position or Hazard warning switch ON.	10 to 14 V (60 to 120 times per minute)

*1: LH side

*2: RH side

**Driver Side Junction Block
Connector Front View:**



P

E72878

NG **PROCEED TO NEXT CIRCUIT INSPECTION SHOWN IN PROBLEM SYMPTOMS TABLE (SEE PAGE 05-1393)**

OK

REPAIR OR REPLACE HARNESS OR CONNECTOR (EACH OF TURN SIGNAL LAMP CIRCUIT)