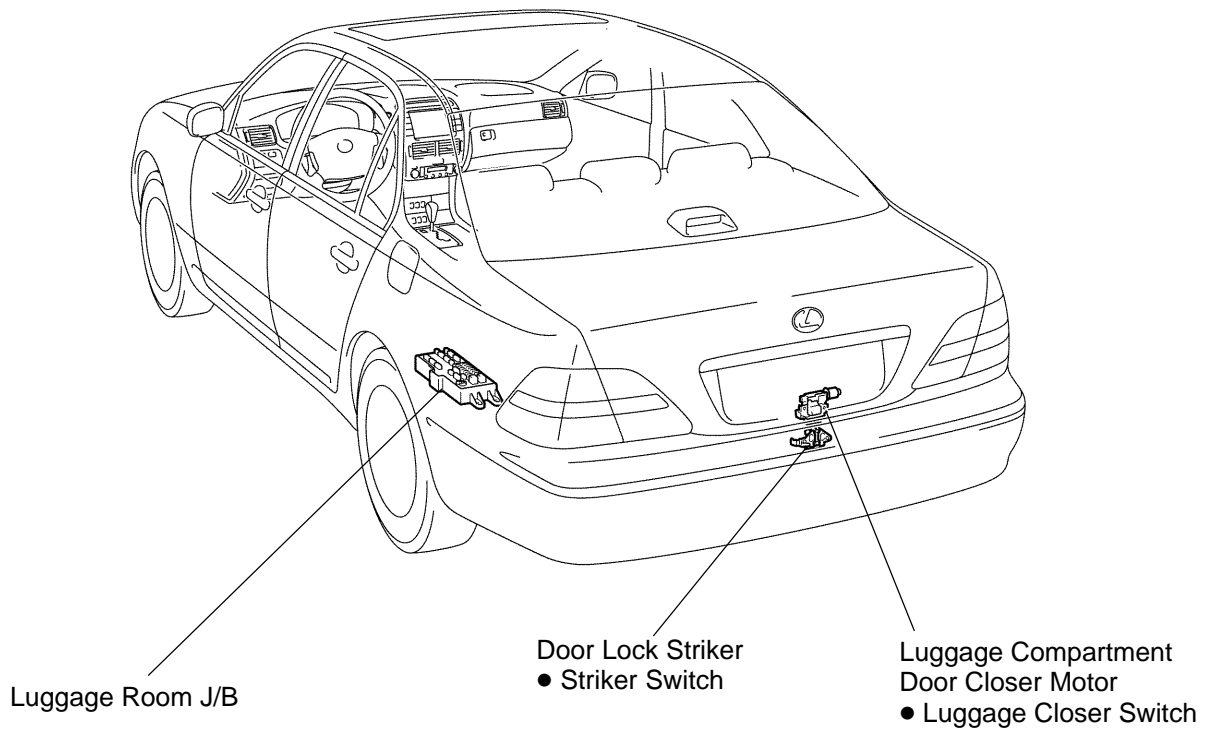
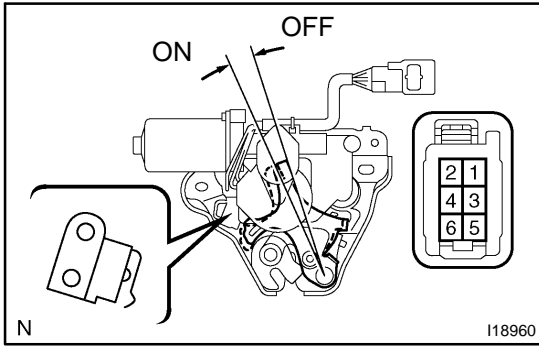


LUGGAGE COMPARTMENT DOOR CLOSER SYSTEM LOCATION

BE22H-01





N

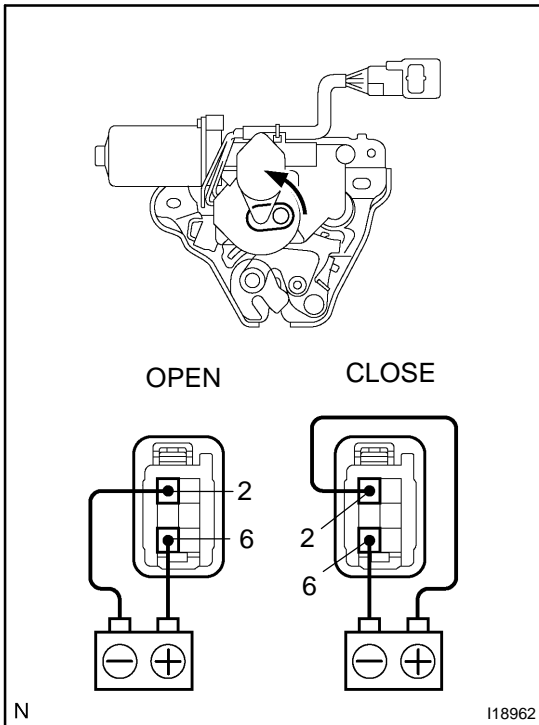
I18960

INSPECTION

1. INSPECT LUGGAGE CLOSER (Courtesy switch)

Switch position	Tester connection	Specified condition
OFF	-	No continuity
ON	3 - 4	Continuity

If continuity is not as specified, replace the luggage closer assembly.



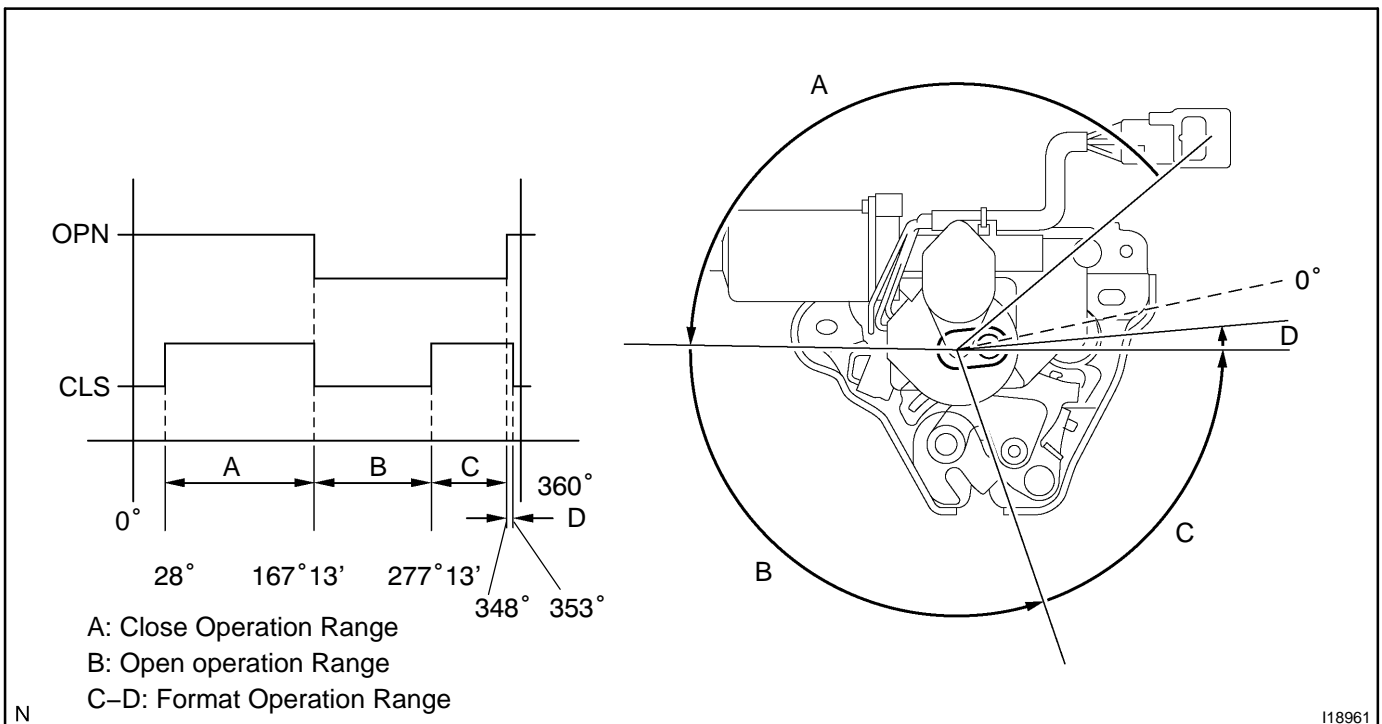
N

I18962

2. INSPECT LUGGAGE CLOSER MOTOR OPERATION

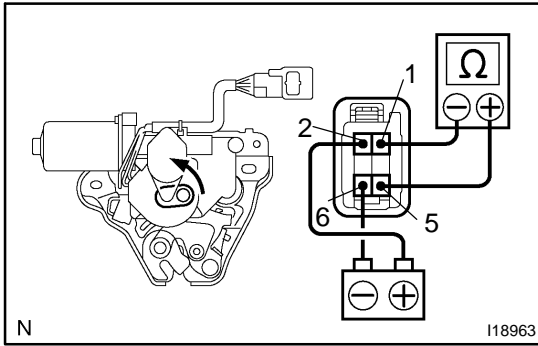
- (a) Connect the positive (+) lead from the battery to terminal 6 and the negative (-) lead to terminal 2, and check that the door lock link moves to OPEN position.
- (b) Reverse the polarity and check that the door lock link moves to CLOSE position.

If operation is not as specified, replace the luggage closer assembly.



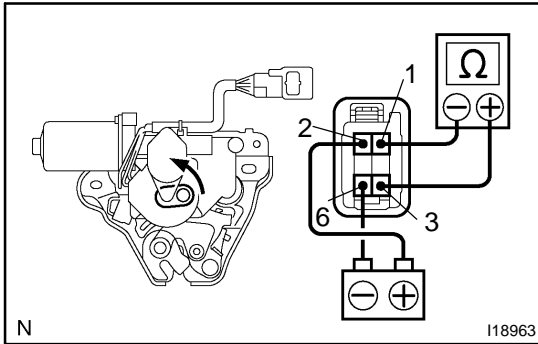
N

I18961



3. INSPECT LUGGAGE CLOSER UNLOCK POSITION SWITCH

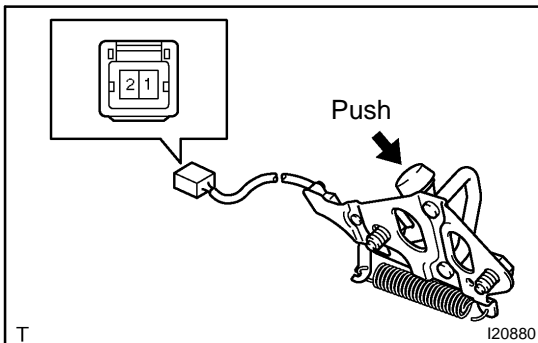
- Connect the positive (+) lead from the battery to terminal 2 and negative (-) lead to terminal 6.
- Connect the positive (+) lead from the ohmmeter to terminal 5 and negative (-) lead to terminal 1.
- Check that the continuity exists when the motor turns counter clockwise.



4. INSPECT LUGGAGE CLOSER LOCK POSITION SWITCH

- Connect the positive (+) lead from the battery to terminal 3 and negative (-) lead to terminal 6.
- Connect the positive (+) lead from the ohmmeter to terminal 5 and negative (-) lead to terminal 1.
- Check that the continuity exists when the motor turns counter clockwise.

Switch position	1 – 3 (Tester connection)	5 – 1 (Tester connection)
A	Continuity	No continuity
B	Continuity	No continuity
C	No continuity	Continuity
D	No continuity	Continuity



5. INSPECT STRIKER SWITCH

- Check that continuity exists between terminals with the switch ON.
- Check that no continuity exists between terminals with the switch OFF.