

SPIRAL CABLE SUB-ASSY REPLACEMENT

600MC-03

HINT:

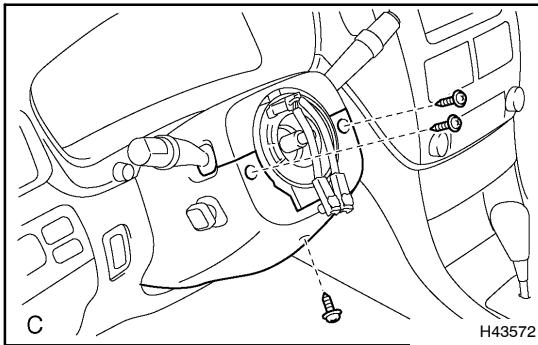
- COMPONENTS: See page 60-19.
- Installation is in the reverse order of removal.

1. **PRECAUTION (SEE PAGE 60-1)**
2. **DISCONNECT BATTERY NEGATIVE TERMINAL (SEE PAGE 60-1)**

HINT:

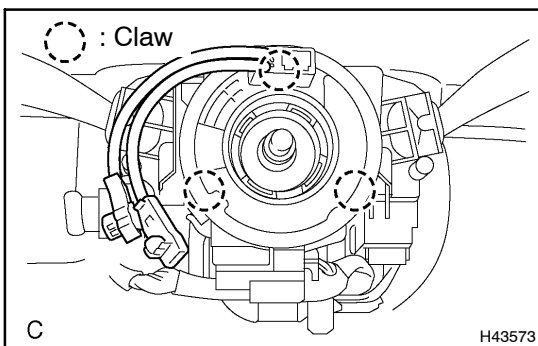
- Disconnect the battery negative (-) terminal with the steering column assy extended.
 - Be sure to extend the steering column, otherwise the steering column cover cannot be removed.
3. **PLACE FRONT WHEELS FACING STRAIGHT AHEAD**
 4. **REMOVE SWITCH & VOLUME CASE (See page 60-20)**
 5. **REMOVE STEERING WHEEL COVER LOWER NO.2 (See page 60-20)**
 6. **REMOVE HORN BUTTON ASSY (See page 60-20)**
 7. **REMOVE STEERING WHEEL ASSY (See page 50-10)**

SST 09950-50013 (09951-05010, 09952-05010, 09953-05020, 09954-05021)



8. REMOVE STEERING COLUMN COVER

- (a) Remove the 3 screws and the steering column cover.



9. REMOVE SPIRAL CABLE SUB-ASSY

- (a) Disconnect the connectors from the spiral cable sub-assy.

NOTICE:

When handling the airbag connector, take care not to damage the airbag wire harness.

- (b) Disengage the 3 claws and remove the spiral cable sub-assy.

10. INSPECT SPIRAL CABLE SUB-ASSY

- (a) If any of the following conditions occur, replace the spiral cable sub-assy with a new one.

Condition:

Scratches or cracks on the connector

Cracks, dents or chips in the spiral cable sub-assy

11. PLACE FRONT WHEELS FACING STRAIGHT AHEAD

- (a) Check that the front wheels are facing straight ahead.

12. INSTALL SPIRAL CABLE SUB-ASSY

- (a) Set the turn signal switch to the neutral position.

NOTICE:

Make sure that the turn signal switch is in the neutral position or the pin of the turn signal switch may be snapped.

- (b) Engage the 3 claws and install the spiral cable sub-assy.

NOTICE:

When replacing the spiral cable sub-assy with a new one, remove the lock pin before installing the steering wheel assy.

- (c) Connect the connectors to the spiral cable sub-assy.

NOTICE:

When handling the airbag connector, take care not to damage the airbag wire harness.

13. INSTALL STEERING COLUMN COVER

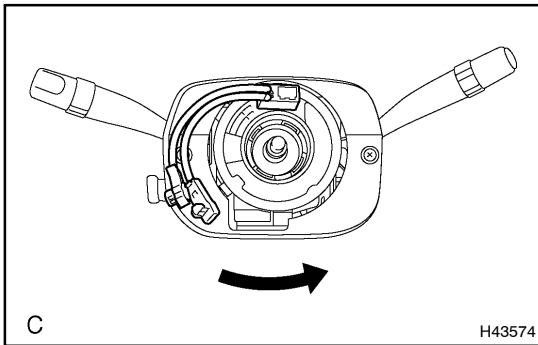
- (a) Install the steering column cover with the 3 screws.

14. ADJUST SPIRAL CABLE SUB-ASSY

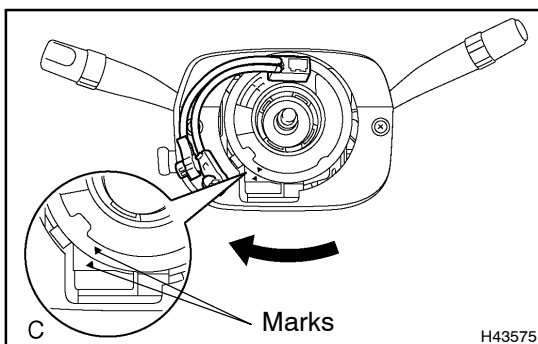
- (a) Check that the ignition switch is off.
 (b) Check that the battery negative (-) terminal is disconnected.

CAUTION:

After removing the terminal, wait for at least 90 seconds before starting the operation.



- (c) Turn the spiral cable sub-assy counterclockwise slowly by hand until it feels firm.



- (d) Rotate the spiral cable sub-assy clockwise approximately 2.5 turns to align the marks.

HINT:

The spiral cable sub-assy will rotate approximately 2.5 turns to both left and right of the center.

15. INSTALL STEERING WHEEL ASSY (See page 50-10)**16. INSPECT STEERING WHEEL CENTER POINT****17. INSTALL HORN BUTTON ASSY (See page 60-20)**

18. CONNECT BATTERY NEGATIVE TERMINAL**NOTICE:**

When disconnecting the negative (-) battery terminal, initialize the following system after the terminal is reconnected.

System Name	See Page
Front Power Seat Control System	01-20

19. INSPECT HORN BUTTON ASSY (See page [60-14](#))

20. INSPECT SRS WARNING LIGHT (See page [05-1032](#))