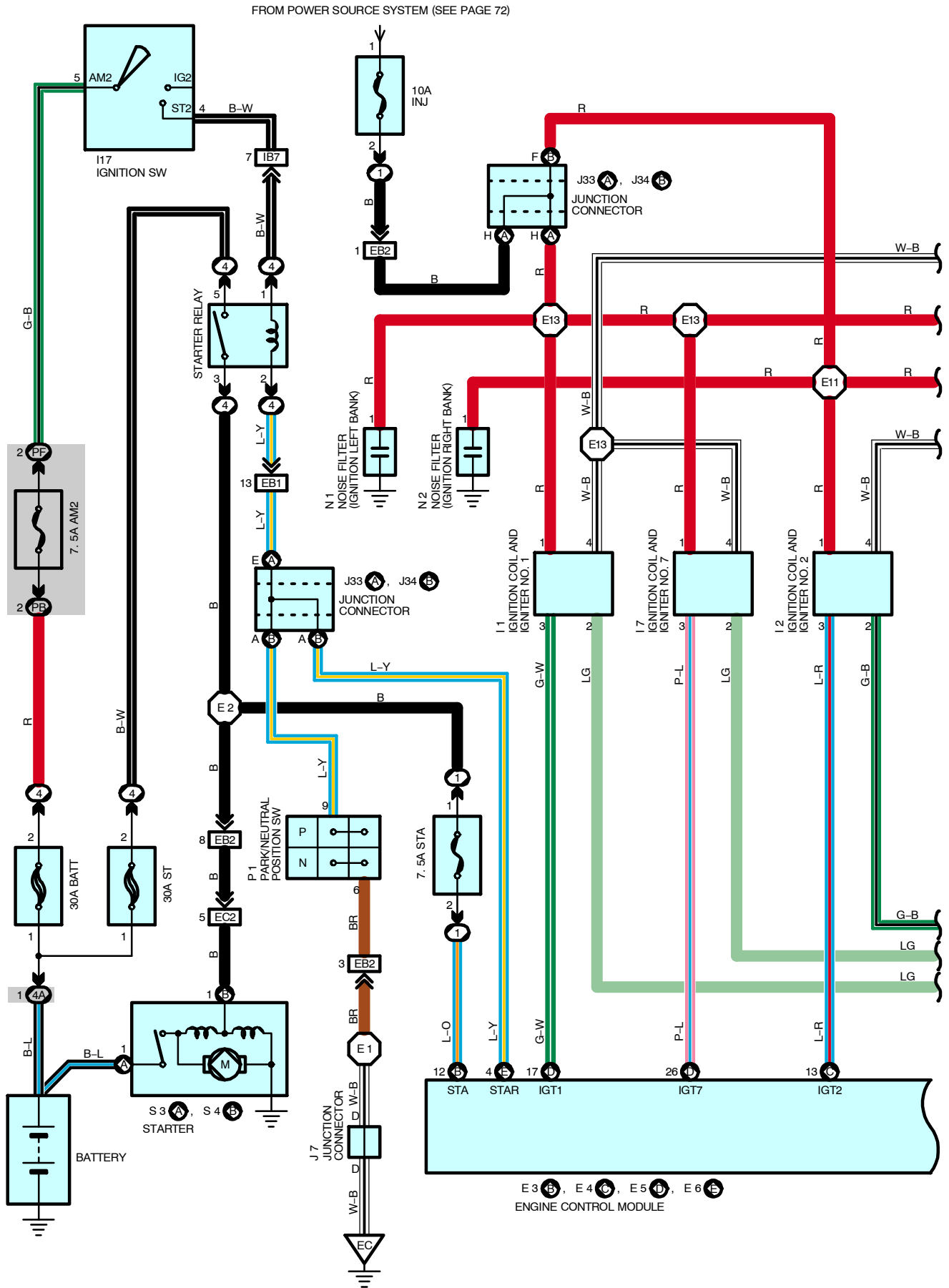
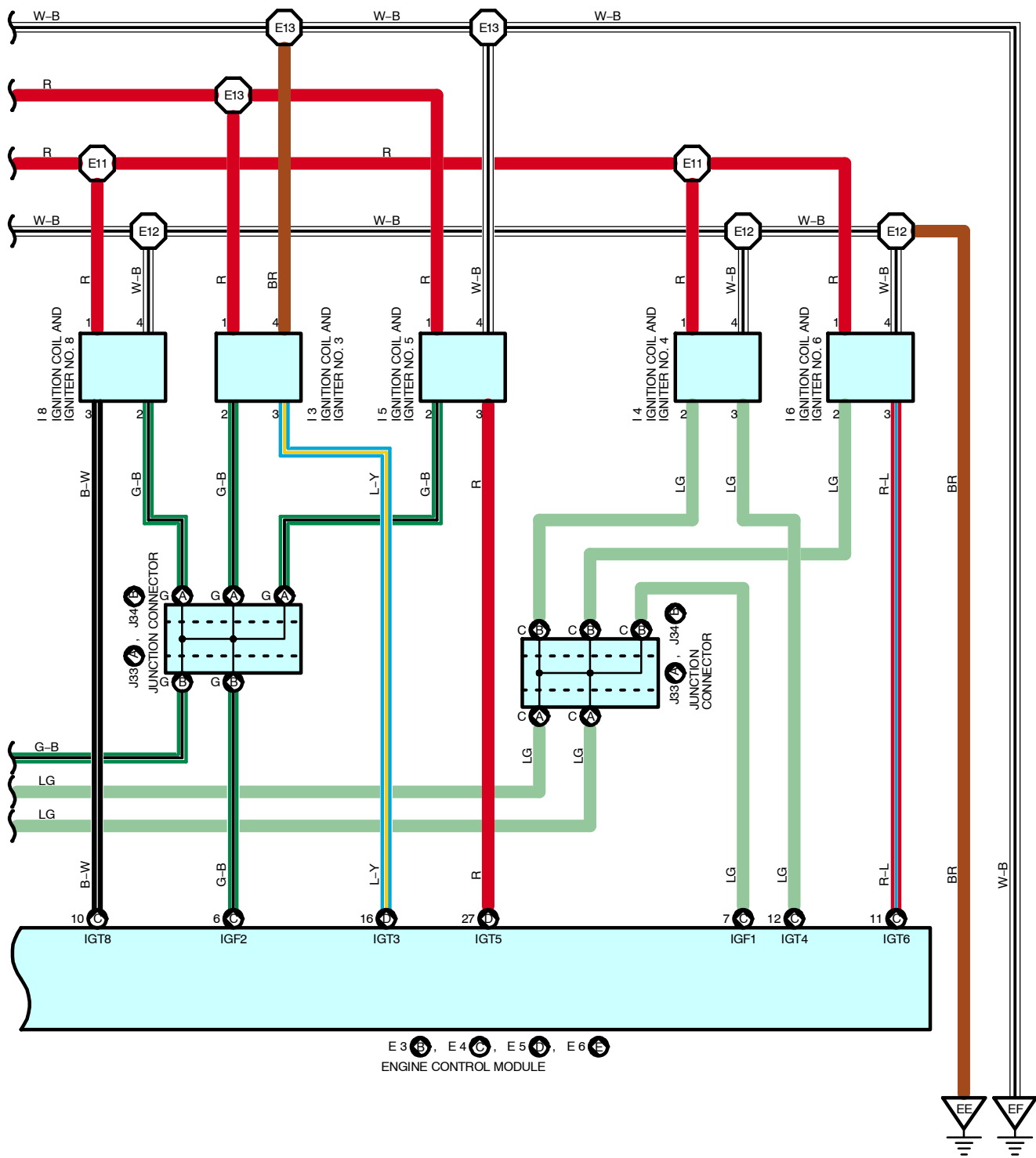


Starting and Ignition





Starting and Ignition

SERVICE HINTS

I17 IGNITION SW

5-4 : Closed with ignition key at **ST** position

S3 (A) STARTER

(A) 1-GROUND : Always approx. **12** volts

○ : PARTS LOCATION

Code		See Page	Code		See Page	Code		See Page
E3	B	42	I4	44	J33	A	44	
E4	C	42	I5	44	J34	B	44	
E5	D	42	I6	44	N1		45	
E6	E	42	I7	44	N2		45	
I1		44	I8	44	P1		45	
I2		44	I17	47	S3	A	45	
I3		44	J7	44	S4	B	45	

○ : RELAY BLOCKS

Code	See Page	Relay Blocks (Relay Block Location)
1	24	Engine Room No.1 R/B (Engine Compartment Left)
4	27	Fusible Link Block (Engine Compartment Right)

○ : JUNCTION BLOCK AND WIRE HARNESS CONNECTOR

Code	See Page	Junction Block and Wire Harness (Connector Location)
4A	27	Engine Room Main Wire and Fusible Link Block (Engine Compartment Right)
PB	35	Engine Room Main Wire and Passenger Side J/B (Right Kick Panel)
PF	36	Instrument Panel Wire and Passenger Side J/B (Right Kick Panel)

□ : CONNECTOR JOINING WIRE HARNESS AND WIRE HARNESS

Code	See Page	Joining Wire Harness and Wire Harness (Connector Location)
EB1	56	Engine Wire and Engine Room Main Wire (Inside of ECU Box)
EB2		
EC2	56	Engine No.2 Wire and Engine Wire (Behind the Intake Manifold)
IB7	58	Instrument Panel Wire and Engine Room Main Wire (Cowl Side Panel LH)

▽ : GROUND POINTS

Code	See Page	Ground Points Location
EC	56	Radiator Side Support LH
EE	56	RH Side of Cylinder Head
EF	56	LH Side of Cylinder Head

○ : SPLICE POINTS

Code	See Page	Wire Harness with Splice Points	Code	See Page	Wire Harness with Splice Points
E1	56	Engine Room Main Wire	E12	56	Engine Wire
E2			E13		
E11	56	Engine Wire			