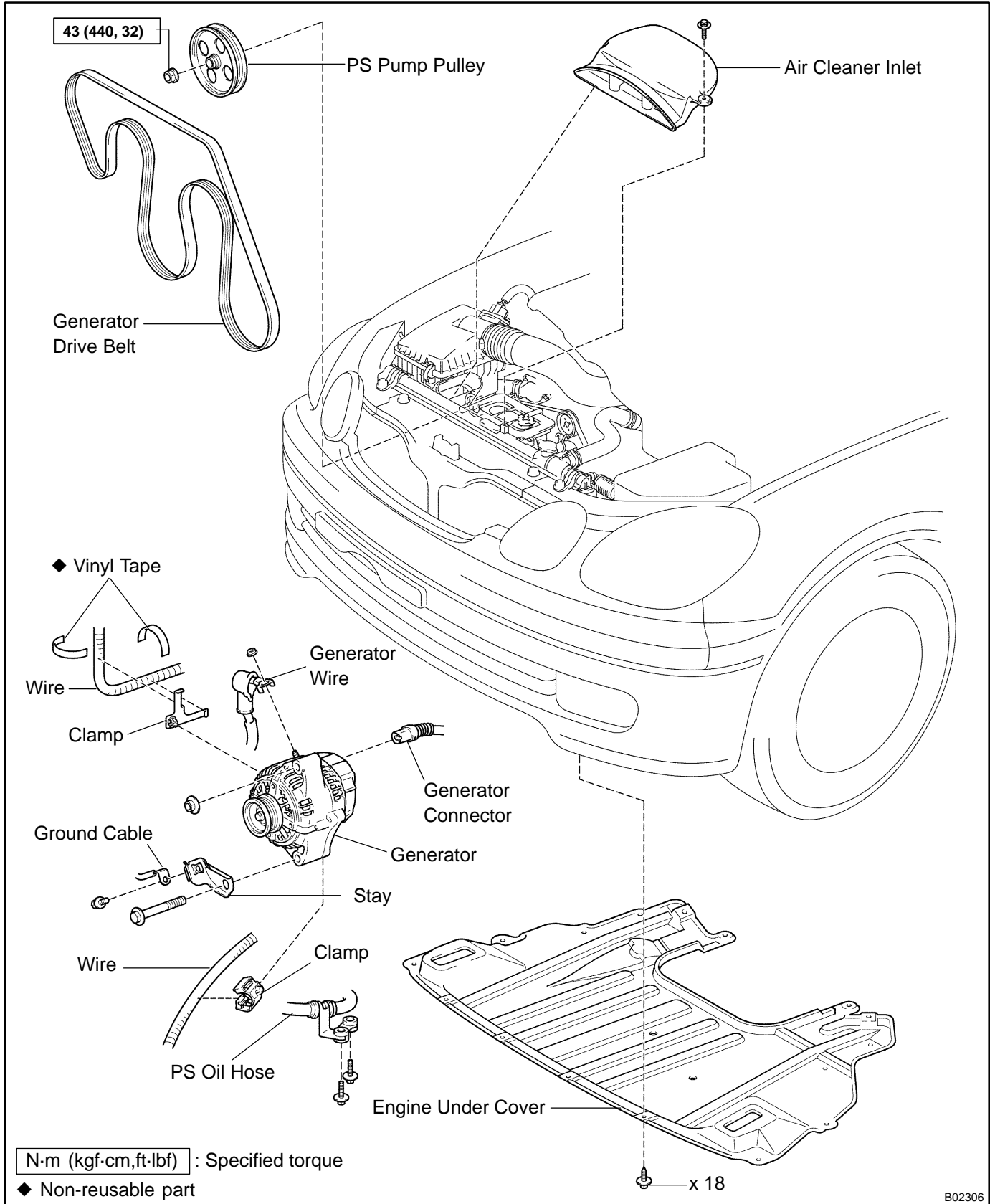
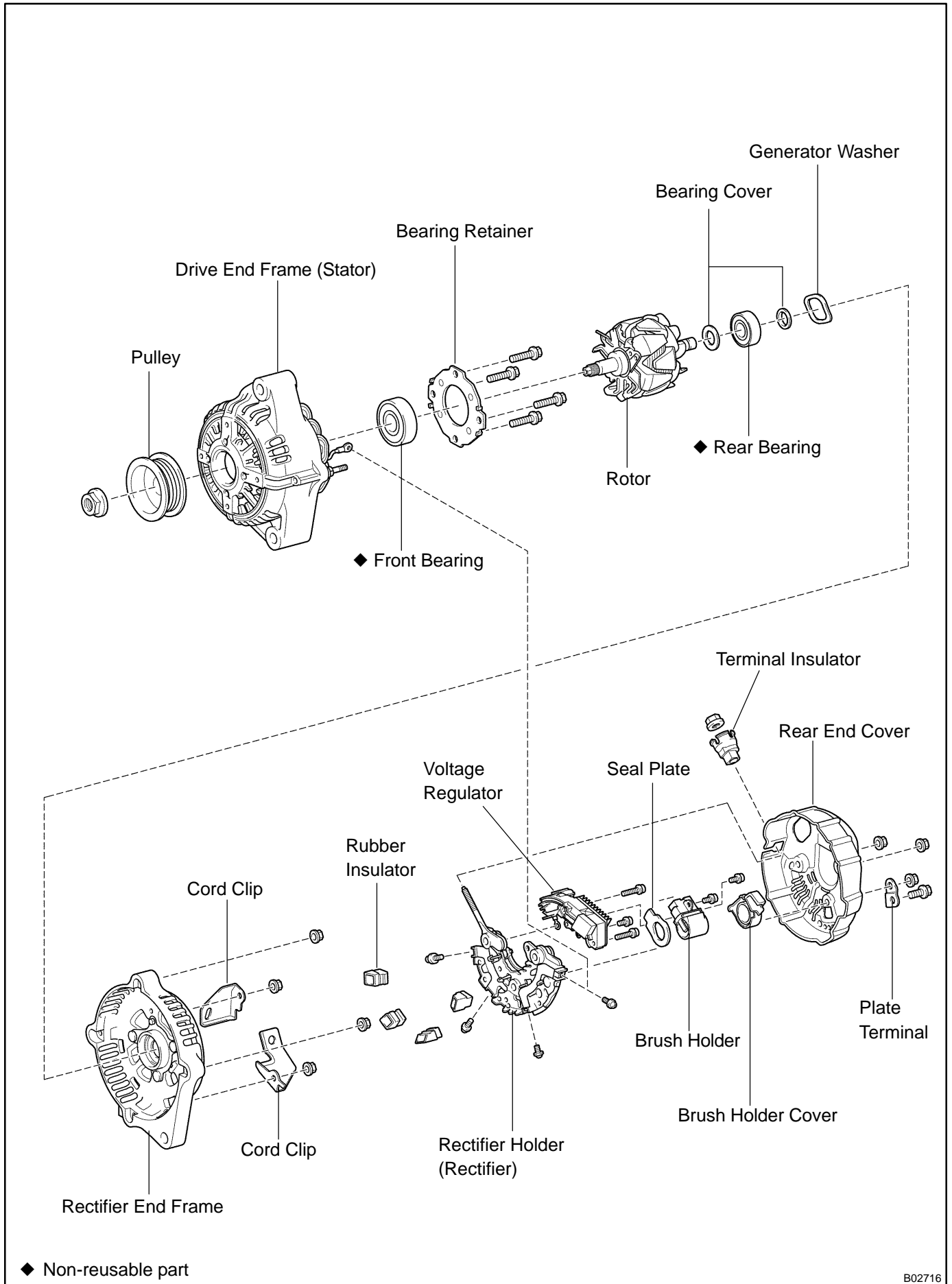


# GENERATOR COMPONENTS

CH04D-01



B02306



B02716