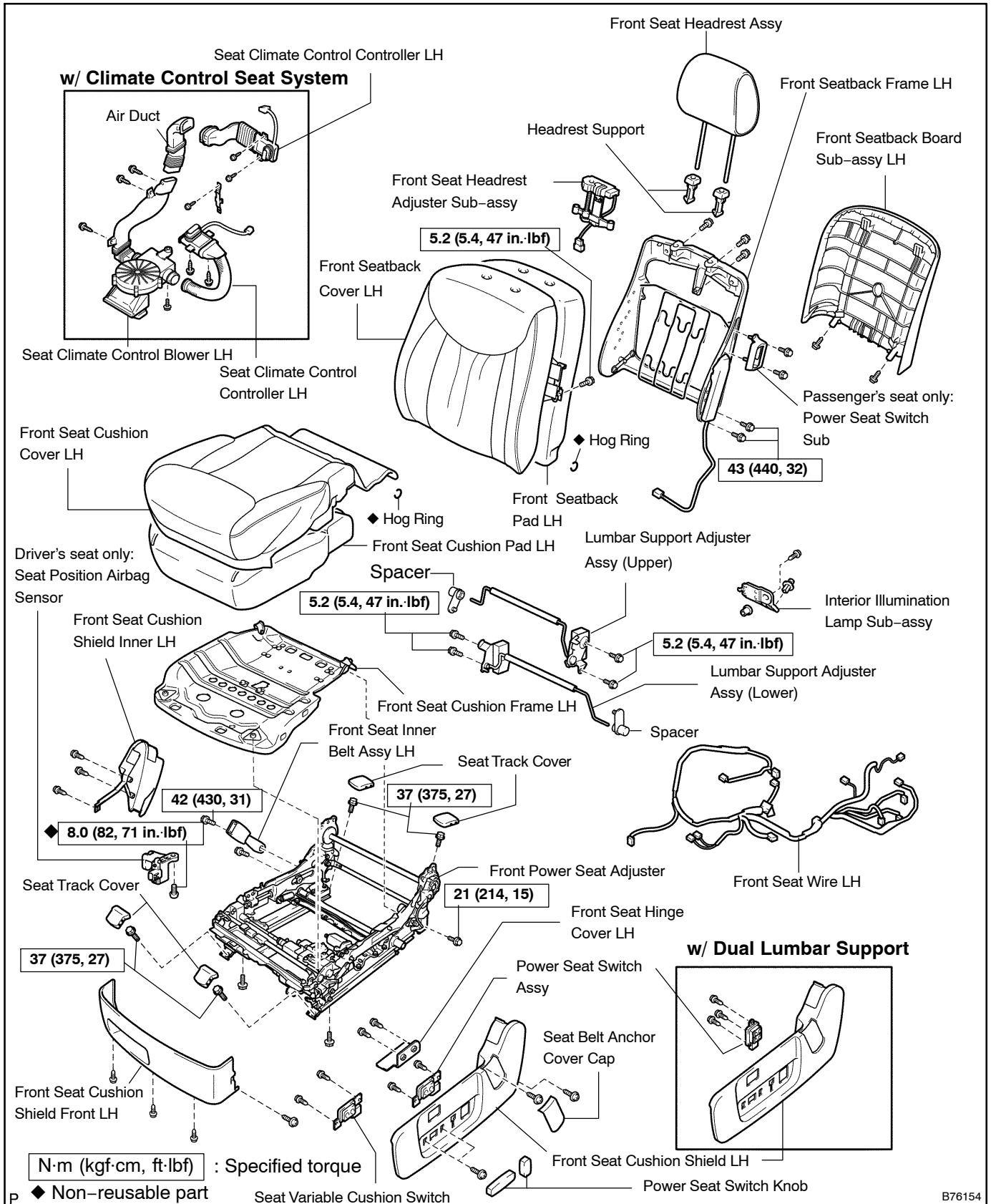
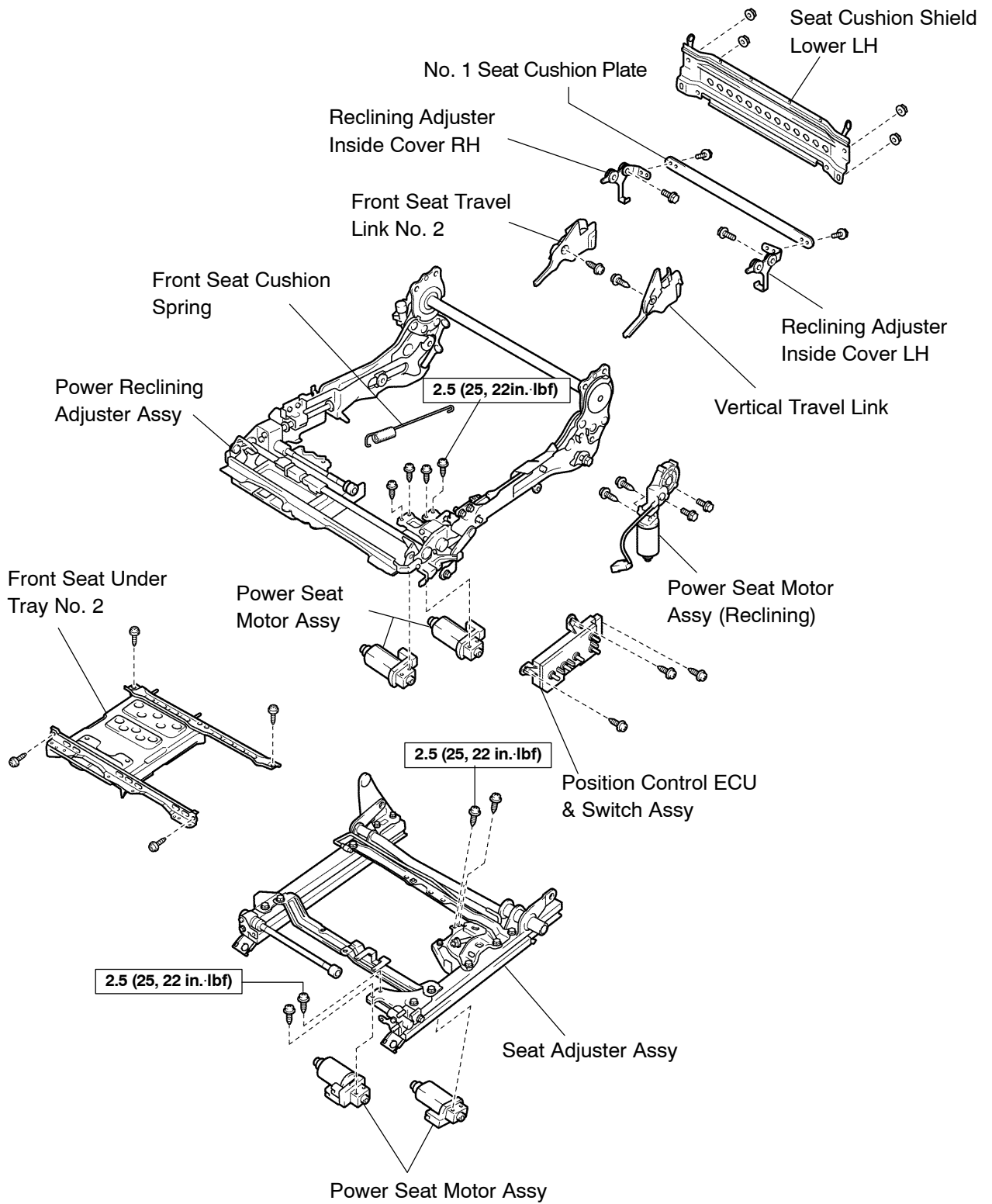


# FRONT SEAT ASSY COMPONENTS

720QE-03





**P** N·m (kgf·cm, ft·lbf) : Specified torque

# OVERHAUL

## HINT:

- The installation procedures are the removal procedures in reverse order. However, only installation procedures requiring additional information are included.
- Use the same procedures for the RH side and LH side.
- A bolt without torque specifications is shown in the standard bolt chart (see page 03-2).

## CAUTION:

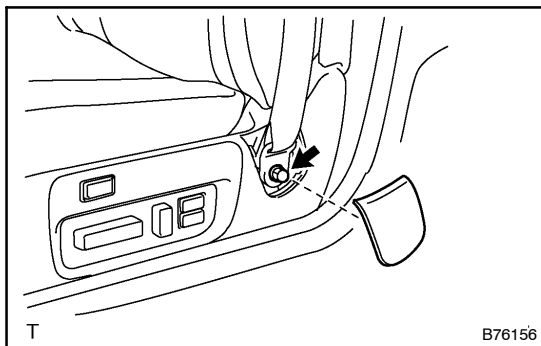
**Wear protective gloves. Sharp surfaces on the seatback frame and seat adjuster can cause injuries to your hands.**

### 1. REMOVE SEAT TRACK COVER

- Using a screwdriver, pry out the 4 covers.

## HINT:

Tape the screwdriver tip before use.



### 2. REMOVE FRONT SEAT ASSY

- Using a screwdriver, pry out the seat belt anchor cover cap.

## HINT:

Tape the screwdriver tip before use.

- Remove the bolt and floor anchor.
- Remove the 4 bolts and seat.
- Disconnect the battery's negative (-) terminal.

## CAUTION:

**Work must be started at least 90 seconds after the ignition switch is turned to the LOCK position and the negative (-) terminal cable is disconnected from the battery.**

**(The SRS is equipped with a back-up power source. If work is started within 90 seconds from turning the ignition switch to the lock position and disconnecting the battery's negative (-) terminal cable of the battery, the SRS may deploy.)**

- Disconnect the connectors under the seat.

## NOTICE:

**Be careful not to damage the vehicle body.**

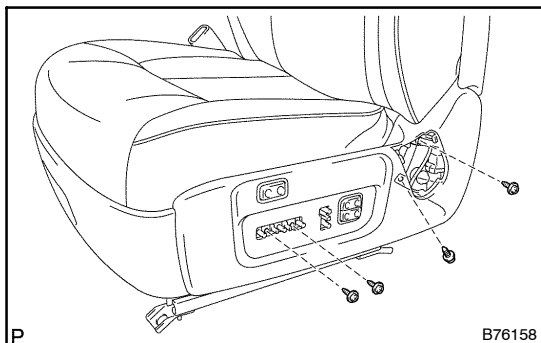
### 3. REMOVE FRONT SEAT CUSHION SHIELD LH

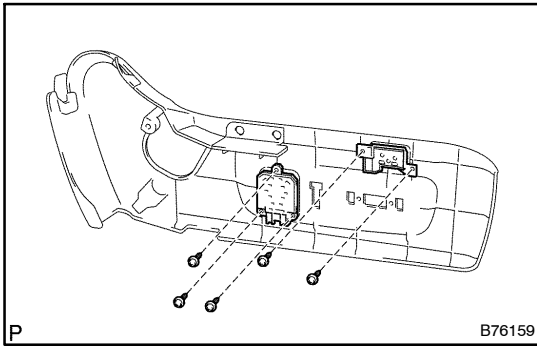
- Using a screwdriver, pry out the 2 power seat switch knobs.

## HINT:

Tape the screwdriver tip before use.

- Remove the 4 screws and cushion shield.
- Disconnect the connectors.



**4. REMOVE SEAT VARIABLE CUSHION SWITCH**

(a) Remove the 2 screws and cushion switch.

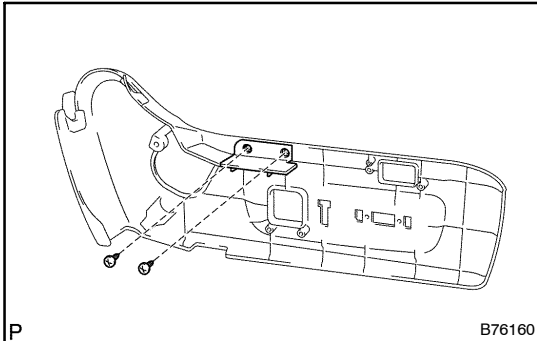
**5. REMOVE POWER SEAT SWITCH ASSY**

(a) w/ Dual lumbar support:

Remove the 3 screws and power seat switch.

(b) w/ Single lumbar support:

Remove the 2 screws and power seat switch.

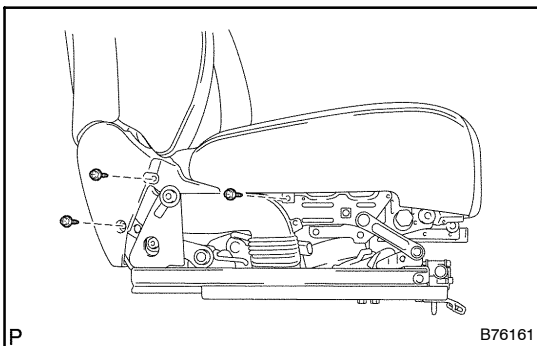
**6. REMOVE FRONT SEAT HINGE COVER LH**

(a) Remove the 2 screws and hinge cover.

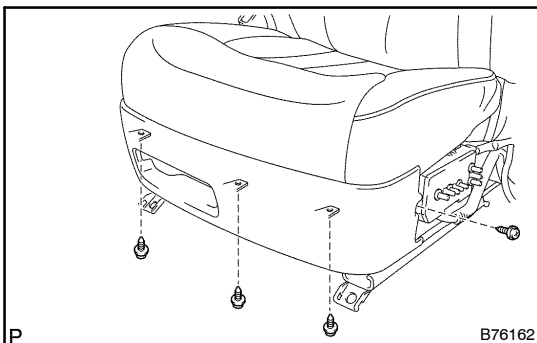
**7. REMOVE FRONT SEAT INNER BELT ASSY LH**

(a) Disconnect the connectors.

(b) Remove the bolt and inner belt.

**8. REMOVE FRONT SEAT CUSHION SHIELD INNER LH**

(a) Remove the 3 screws and cushion shield inner.

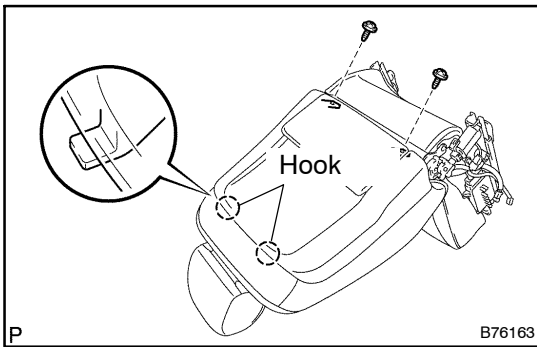
**9. REMOVE FRONT SEAT CUSHION SHIELD FRONT LH**

(a) Remove the 4 screws.

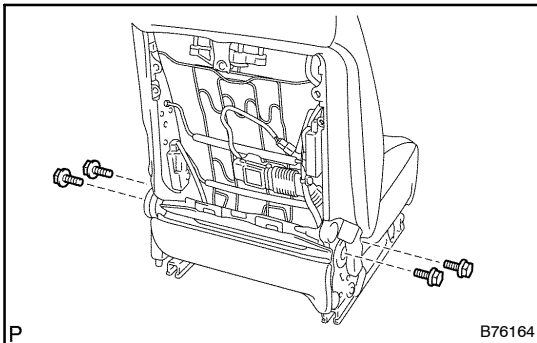
(b) Slide the cushion shield front forward to remove it.

**10. REMOVE POSITION CONTROL ECU & SWITCH ASSY**

(a) Remove the 3 screws and switch.

**11. REMOVE FRONT SEATBACK BOARD SUB-ASSY LH**

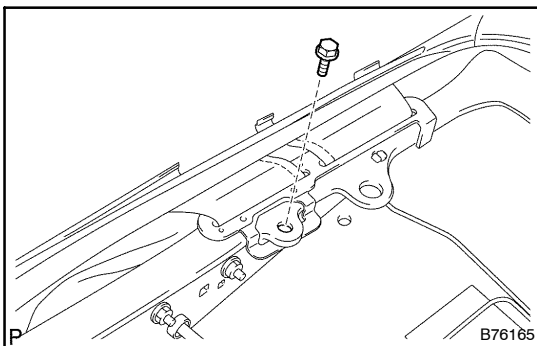
- (a) Remove the 2 screws.
- (b) Disengage the 2 hooks and remove the seatback board.

**12. REMOVE FRONT SEATBACK ASSY LH**

- (a) w/ Climate control seat system:  
Remove the 3 screws and disconnect the air duct.
- (b) Disconnect the connectors and disengage the clamps.
- (c) Remove the 4 bolts and seatback.

**13. REMOVE FRONT SEAT HEADREST ASSY**

- (a) Remove the 2 pins and headrest.

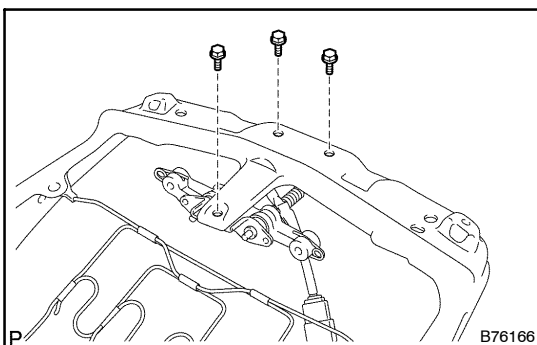
**14. REMOVE FRONT SEATBACK COVER LH**

- (a) Remove the 2 headrest supports.
- (b) Remove the bolt and seat cover hook.
- (c) Remove the hog rings and seatback cover together with the pad.

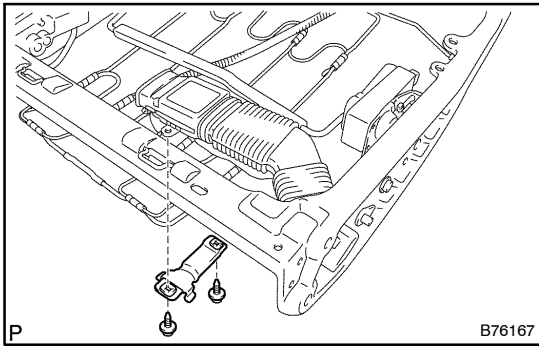
**NOTICE:**

**Do not damage the side airbag assy.**

- (d) Remove the hog rings and seatback cover.

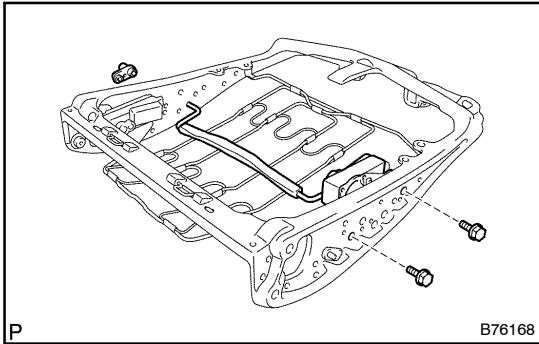
**15. REMOVE FRONT SEAT HEADREST ADJUSTER SUB-ASSY**

- (a) Disengage the connector clamps.
- (b) Remove the 3 bolts and headrest adjuster from the seat-back frame.



**16. w/ Climate control seat system:  
REMOVE SEAT CLIMATE CONTROL CONTROLLER  
LH**

- (a) Remove the 2 screws, bracket and air duct from the seat-back frame.



**17. REMOVE LUMBAR SUPPORT ADJUSTER ASSY LH  
(UPPER)**

- (a) Remove the 2 bolts, lumbar support adjuster and spacer.

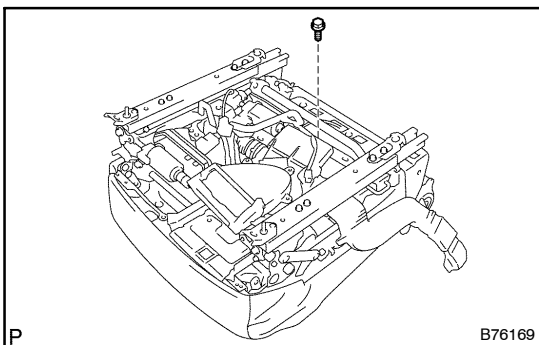
**18. REMOVE LUMBAR SUPPORT ADJUSTER ASSY LH (LOWER)**

HINT:

Use the same procedures described for the adjuster upper.

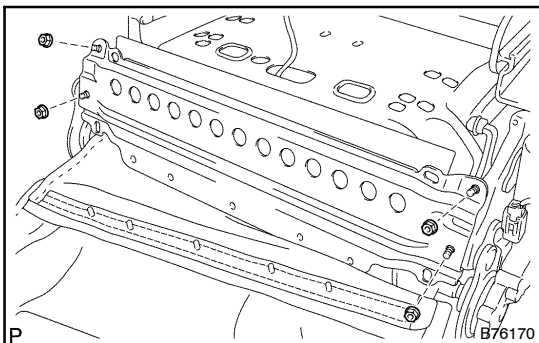
**19. REMOVE INTERIOR ILLUMINATION LAMP SUB-ASSY**

- (a) Remove the screw, clip and lamp.  
(b) Disconnect the connector.



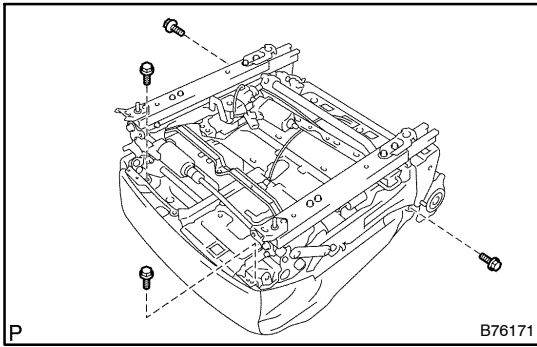
**20. w/ Climate control seat system:  
REMOVE SEAT CLIMATE CONTROL BLOWER LH**

- (a) Disengage the seat cushion cover hook.  
(b) Disconnect the connectors and disengage the clamps.  
(c) Remove the bolt and blower.



**21. REMOVE FRONT SEAT CUSHION SHIELD LOWER LH**

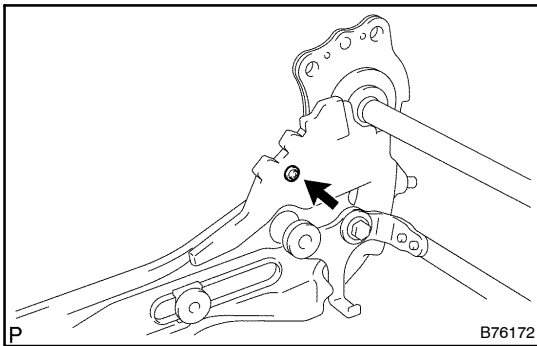
- (a) Remove the 4 nuts and cushion shield.

**22. REMOVE FRONT SEAT CUSHION ASSY LH**

- (a) Remove the 4 bolts and seat cushion assy.

**23. REMOVE FRONT SEAT CUSHION COVER LH**

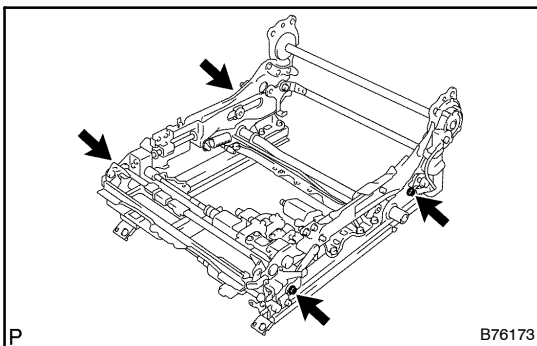
- (a) Disengage the hook and remove the hog rings and seat cushion cover together with the pad.  
 (b) Remove the hog rings and cushion cover.

**24. REMOVE RECLINING ADJUSTER INSIDE COVER LH**

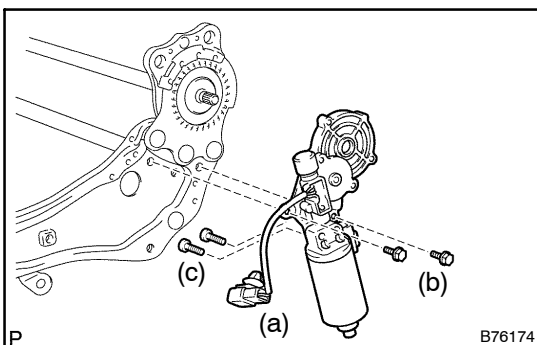
- (a) Remove the screw and cover.

**25. REMOVE RECLINING ADJUSTER INSIDE COVER RH**

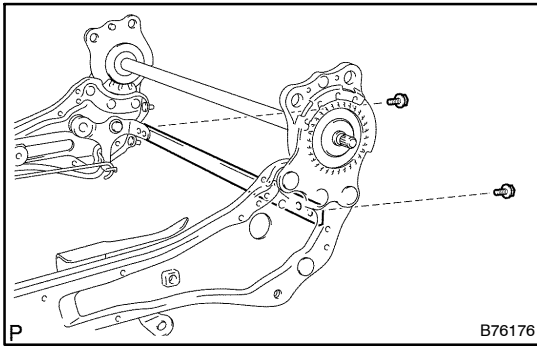
- (a) Remove the screw and cover.

**26. REMOVE POWER RECLINING ADJUSTER ASSY**

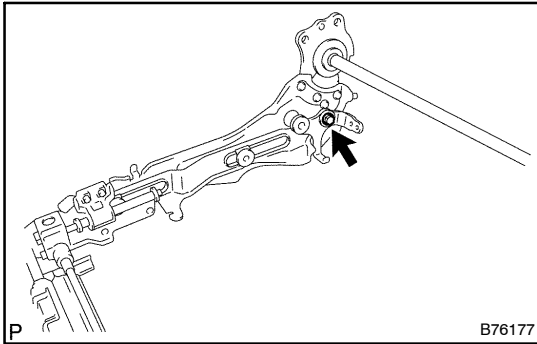
Using a T40 torx<sup>®</sup> socket wrench, remove the 4 torx<sup>®</sup> screws and the power reclining adjuster.

**27. REMOVE POWER SEAT MOTOR ASSY (RECLINING)**

- (a) Disconnect the connector.  
 (b) Remove the 2 bolts and motor.  
 (c) Remove the 2 screws and reclining motor from the bracket.

**28. REMOVE NO.1 SEAT CUSHION PLATE**

- (a) Remove the 2 bolts and cushion plate.

**29. REMOVE FRONT SEAT CUSHION SPRING****30. REMOVE FRONT SEAT TRAVEL LINK NO.2**

- (a) Remove the bolt and travel link.

**31. REMOVE VERTICAL TRAVEL LINK**

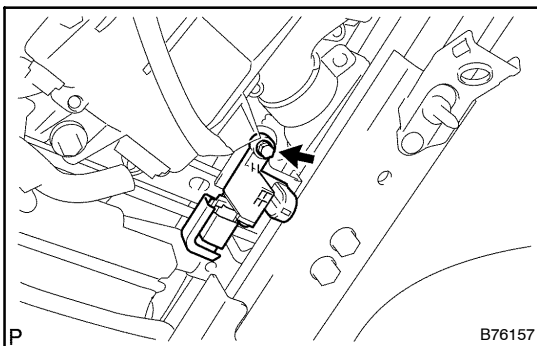
- (a) Remove the bolt and travel link.

**32. REMOVE FRONT SEAT UNDER TRAY RAIL NO.2**

- (a) Remove the 4 screws and tray rail.

**33. REMOVE POWER SEAT MOTOR ASSY**

- (a) Disconnect the connector.  
 (b) Remove the 2 screws each to remove the 4 motors.

**34. REMOVE SEAT POSITION AIRBAG SENSOR**

- (a) Disconnect the wire harness connector.  
 (b) Using a T30 torx<sup>®</sup> socket wrench, remove the torx<sup>®</sup> bolt and airbag sensor.

**35. INSTALL SEAT POSITION AIRBAG SENSOR**

- (a) Using a T30 torx<sup>®</sup> socket wrench, install the airbag sensor with a new torx<sup>®</sup> bolt.  
**Torque: 8.0 N·m (82 kgf·cm, 71 in.·lbf)**

**NOTICE:**

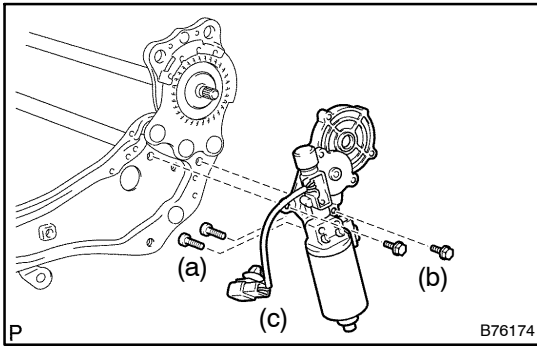
- **Make sure the sensor assembly is installed with the specified torque.**
- **If the sensor assembly has been dropped, or there are cracks, dents or other defects in the case, bracket or connector, replace the sensor assembly with a new one.**
- **When installing the sensor assembly, make sure the SRS wiring does not interfere with other parts and is not pinched between other parts.**
- **After installation, shake the sensor assembly to check that there is no looseness.**

- (b) Connect the wire harness connector.

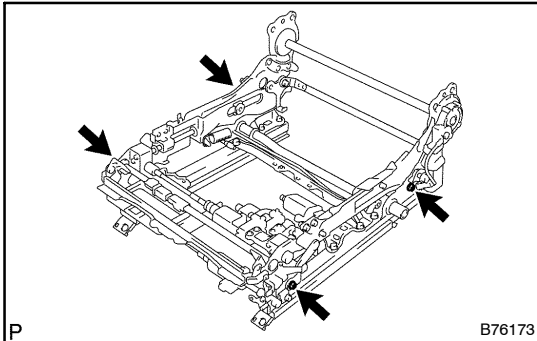
**36. INSTALL POWER SEAT MOTOR ASSY**

- (a) Install the 4 motors with the 2 screws each.  
**Torque: 2.5 N·m (25 kgf·cm, 22 in.·lbf)**



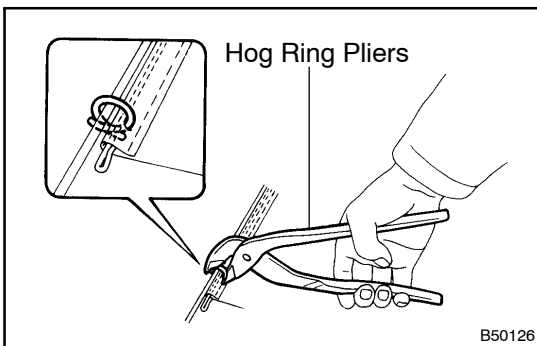
**37. INSTALL POWER SEAT MOTOR ASSY**

- (a) Install the reclining motor to the bracket with the 2 screws.
- (b) Install the motor with the 2 bolts.
- (c) Connect the connector.

**38. INSTALL POWER RECLINING ADJUSTER ASSY**

Using a T30 torx<sup>®</sup> socket wrench, install the power reclining adjuster with the 4 torx<sup>®</sup> screws.

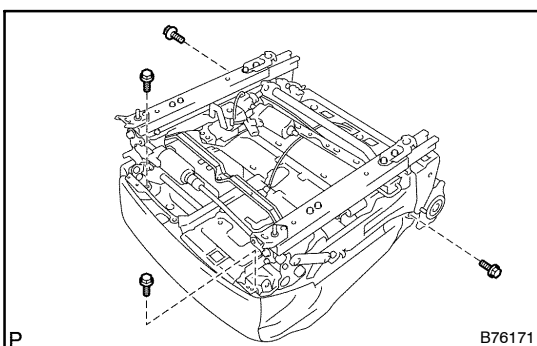
**Torque: 19 N·m (195 kgf·cm, 14 ft·lbf)**

**39. INSTALL FRONT SEAT CUSHION COVER LH**

- (a) Install the seat cushion.
- (b) Using hog ring pliers, install the cushion cover to the cushion pad with new hog rings.

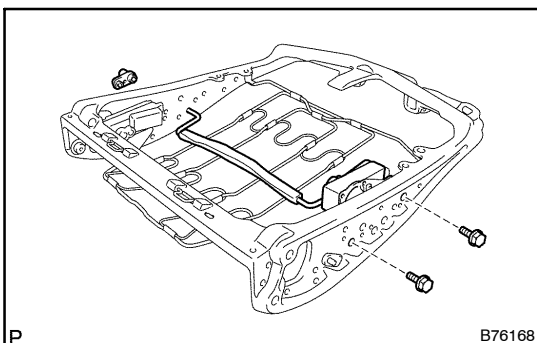
**NOTICE:**

- **Be careful not to damage the cover.**
- **When installing the hog rings, take care to minimize wrinkles as much as possible.**

**40. INSTALL FRONT SEAT CUSHION ASSY**

Install the seat cushion with the 4 bolts.

**Torque: 21 N·m (214 kgf·cm, 15 ft·lbf)**

**41. INSTALL LUMBAR SUPPORT ADJUSTER ASSY LH (UPPER)**

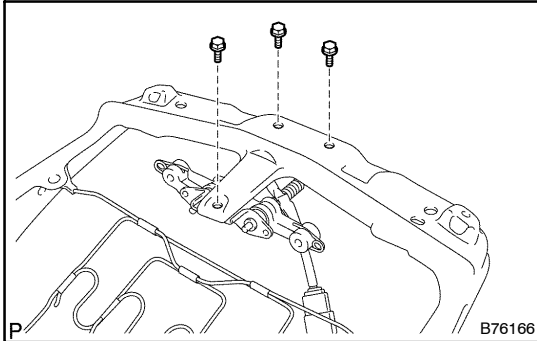
- (a) Install the lumbar support adjuster and spacer with the 2 bolts.

**Torque: 5.2 N·m (54 kgf·cm, 47 in·lbf)**

**42. INSTALL LUMBAR SUPPORT ADJUSTER ASSY LH (LOWER)**

HINT:

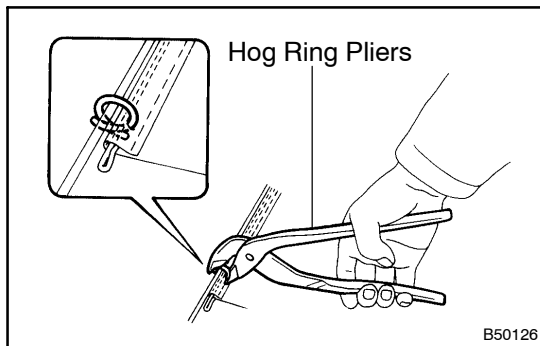
Use the same procedures described for the adjuster upper.

**43. INSTALL FRONT SEAT HEADREST ADJUSTER SUB-ASSY**

- (a) Install the headrest adjuster to the seatback frame with the 3 bolts.

**Torque: 5.2 N·m (54 kgf·cm, 47 in·lbf)**

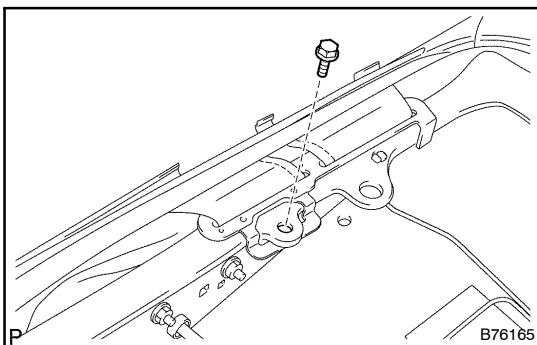
- (b) Engage the connector clamps.

**44. INSTALL FRONT SEATBACK COVER LH**

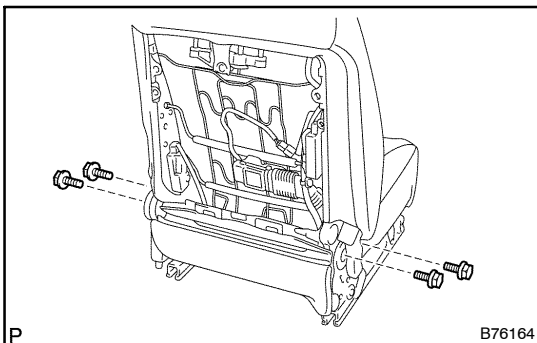
- (a) Install the seatback pad.  
 (b) Cover the top of the seatback pad with the seatback cover.  
 (c) Install the 2 headrest supports.  
 (d) Using hog ring pliers, completely install the seatback cover with new hog rings.

**NOTICE:**

- **Be careful not to damage the cover.**
- **When installing the hog rings, take care to minimize wrinkles as much as possible.**



- (e) Install the seatback cover hook with the bolt.

**Torque: 5.2 N·m (54 kgf·cm, 47 in·lbf)****NOTICE:****Do not damage the side airbag assembly.****45. INSTALL FRONT SEATBACK ASSY LH**

- (a) Install the seatback with the 4 bolts.

**Torque: 43 N·m (440 kgf·cm, 32 ft·lbf)**

- (b) Connect the connectors and engage the clamps.

- (c) w/ Climate control seat system:

Connect the air duct and install it with the 3 screws.

**46. INSTALL FRONT SEAT INNER BELT ASSY LH**

- (a) Connect the connector.
- (b) Install the inner belt with the nut.  
**Torque: 42 N·m (430 kgf·cm, 31 ft·lbf)**

**47. INSTALL FRONT SEAT ASSY**

- (a) Place the seat in the cabin.

**NOTICE:****Do not damage the vehicle body.**

- (b) Connect the connectors under the seat.
- (c) Tighten the 2 bolts on the front side of the seat.  
**Torque: 37 N·m (375 kgf·cm, 27 ft·lbf)**
- (d) Tighten the 2 bolts on the rear side of the seat.  
**Torque: 37 N·m (375 kgf·cm, 27 ft·lbf)**
- (e) Install the front seat outer belt anchor.  
**Torque: 42 N·m (430 kgf·cm, 31 ft·lbf)**
- (f) Install the seat belt anchor cover cap.
- (g) Install the 4 seat track covers.
- (h) Connect the battery's negative (-) terminal.

**NOTICE:**

**When disconnecting the negative (-) battery terminal, initialize the following system (s) after the terminal is reconnected.**

| System Name                 | See Page |
|-----------------------------|----------|
| Power Window Control System | 01-20    |

- (i) Check the SRS warning lamp (see page [05-1032](#)).

**48. INITIALIZE FRONT POWER SEAT CONTROL SYSTEM**

- (a) The position control ECU & switch assy (power seat ECU) must be initialized if any of the occurs.
  - The battery is disconnected.
  - The D/C cut fuse is replaced.
  - The position control ECU & switch assy (power seat ECU) is replaced.
  - The power seat assy is removed from the vehicle.
- (b) Initialize the position control ECU & switch assy (power seat ECU) as follows.
  - (1) Using the seat switches, fully slide the seat forward, fully recline the seatback forward, and fully raise the seat cushion and headrest.
  - (2) Using the seat switches, fully slide the seat rearward, fully recline the seatback rearward and fully lower the seat cushion and headrest.

**49. INSPECT POWER SEAT OPERATION ([05-2335](#))****50. w/ Seat heater:****INSPECT SEAT HEATER OPERATION****51. w/ Climate control seat system:****INSPECT CLIMATE CONTROL SEAT OPERATION**