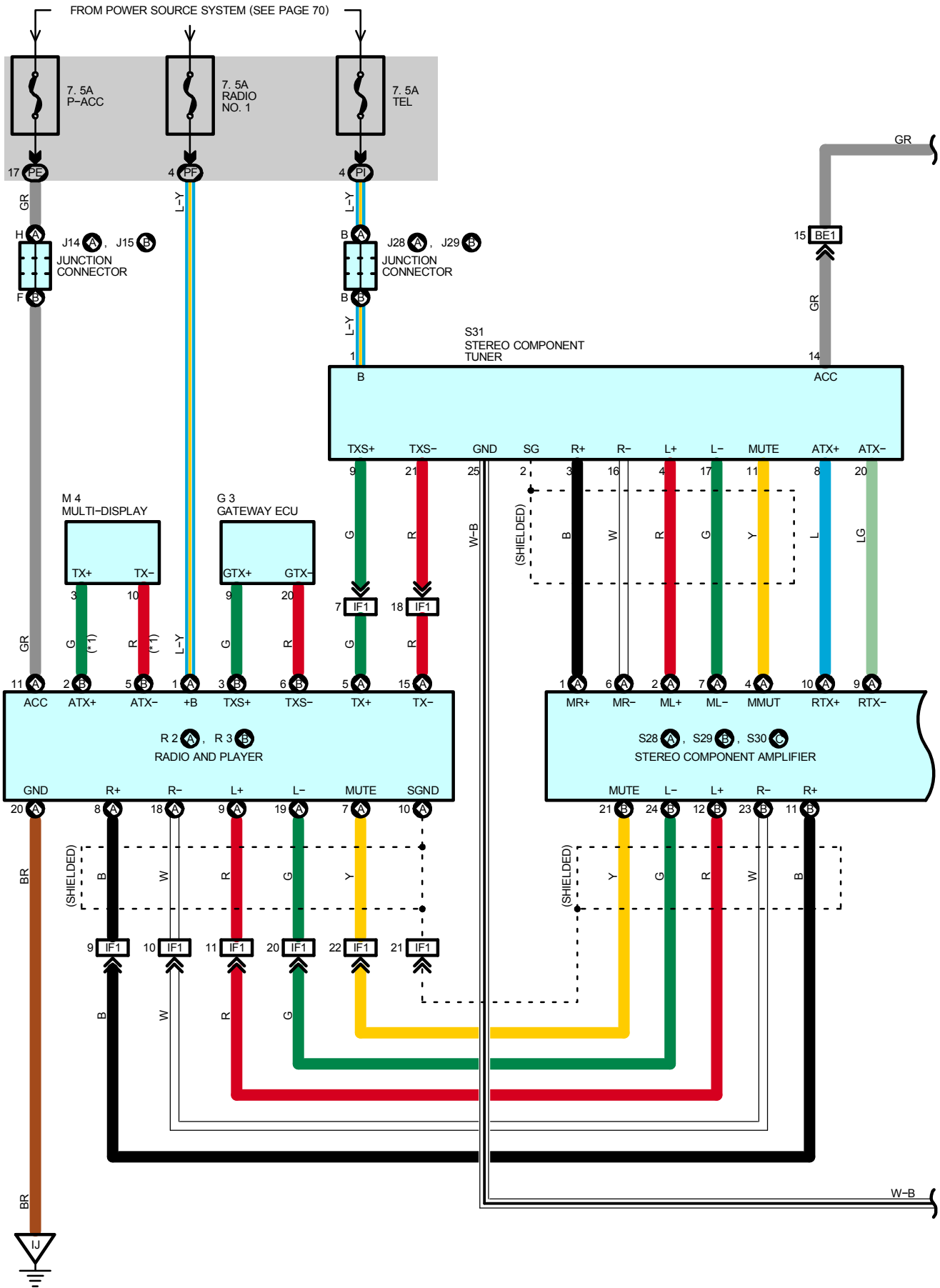
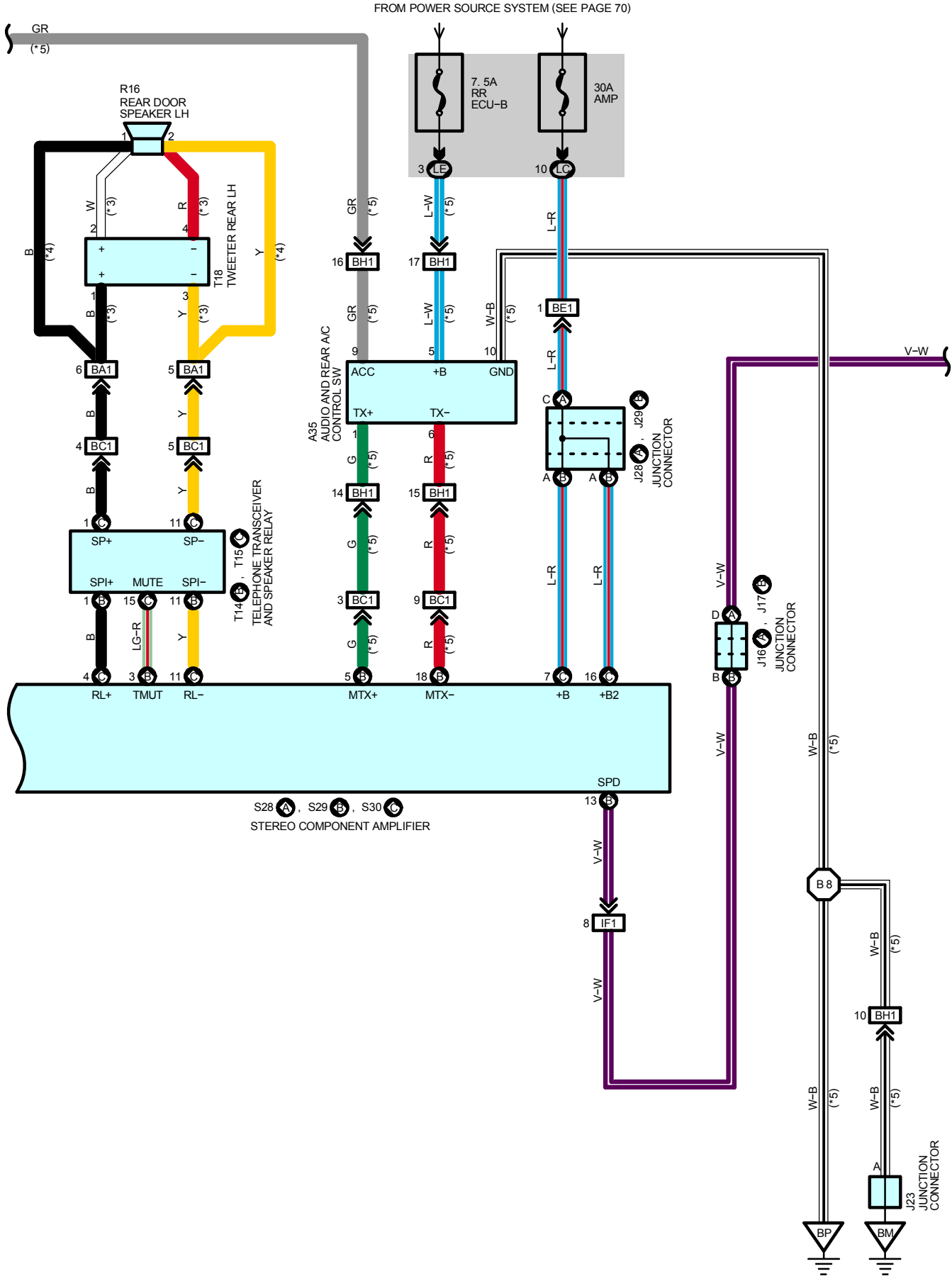


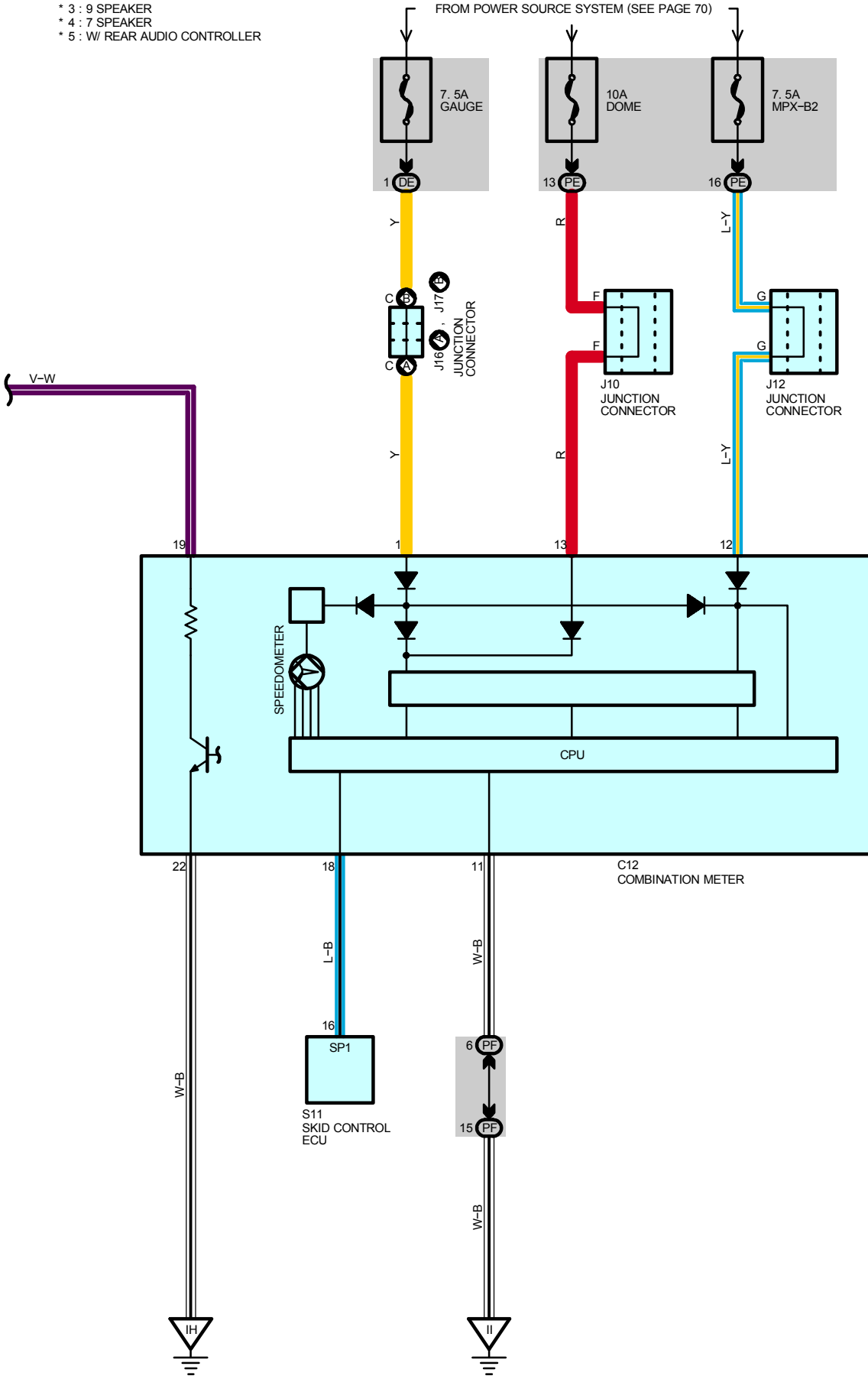
RADIO AND PLAYER



RADIO AND PLAYER



- * 3 : 9 SPEAKER
- * 4 : 7 SPEAKER
- * 5 : W/ REAR AUDIO CONTROLLER



RADIO AND PLAYER

SERVICE HINTS

R2 (A) RADIO AND PLAYER

- (A)11-GROUND : Approx. **12** volts with ignition SW at **ON** or **ACC** position
- (A) 1-GROUND : Always approx. **12** volts
- (A)20-GROUND : Always continuity

S29 (B), S30 (C) STEREO COMPONENT AMPLIFIER

- (B) 20-GROUND : Approx. **12** volts with ignition SW at **ON** or **ACC** position
- (C) 7, (C) 16-GROUND : Always approx. **12** volts
- (C)12, (C) 13-GROUND : Always continuity

S31 STEREO COMPONENT TUNER

- 1-GROUND : Always approx. **12** volts
- 14-GROUND : Approx. **12** volts with ignition SW at **ON** or **ACC** position
- 25-GROUND : Always continuity

○ : PARTS LOCATION

| Code | See Page | Code | See Page | Code | See Page |
|------|----------|------|----------|------|----------|
| A35 | 55 | J28 | A 51 | S29 | B 53 |
| C12 | 46 | J29 | B 51 | S30 | C 53 |
| F14 | 50 | J30 | 51 | S31 | 53 |
| F15 | 50 | M4 | 48 | T11 | 49 |
| G3 | 47 | N4 | A 52 | T12 | 49 |
| J10 | 47 | N5 | B 52 | T14 | B 53 |
| J12 | 47 | R2 | A 49 | T15 | C 53 |
| J14 | A 47 | R3 | B 49 | T18 | 53 |
| J15 | B 47 | R16 | 52 | T19 | 53 |
| J16 | A 47 | R17 | 52 | W3 | 53 |
| J17 | B 47 | S11 | 49 | | |
| J23 | 51 | S28 | A 53 | | |

○ : JUNCTION BLOCK AND WIRE HARNESS CONNECTOR

| Code | See Page | Junction Block and Wire Harness (Connector Location) |
|------|----------|---|
| DE | 29 | Instrument Panel Wire and Driver Side J/B (Left Kick Panel) |
| LC | 40 | Floor No.2 Wire and Luggage Room J/B (Luggage Room Left) |
| LE | | |
| LF | | |
| PE | 36 | Instrument Panel Wire and Passenger Side J/B (Right Kick Panel) |
| PF | | |
| PI | 37 | Floor Wire and Passenger Side J/B (Right Kick Panel) |

□ : CONNECTOR JOINING WIRE HARNESS AND WIRE HARNESS

| Code | See Page | Joining Wire Harness and Wire Harness (Connector Location) |
|------|----------|--|
| IA1 | 58 | Front Door LH Wire and Floor No.2 Wire (Left Kick Panel) |
| IF1 | 60 | Instrument Panel Wire and Floor Wire (Right Side of Shift Lever) |
| IG1 | 60 | Instrument Panel Wire and Floor Wire (Cowl Side Panel RH) |
| IJ1 | 60 | Front Door RH Wire and Floor Wire (Right Kick Panel) |
| BA1 | 62 | Rear Door No.2 Wire and Floor No.2 Wire (Left Center Pillar) |
| BB1 | 62 | Rear Door No.1 Wire and Floor Wire (Right Center Pillar) |
| BC1 | 62 | Floor No.2 Wire and Floor Wire (Rear Floor Partition Panel LH) |
| BE1 | 62 | Floor No.2 Wire and Floor Wire (Lower Back Panel RH) |
| BH1 | 66 | Rear Seat LH Wire and Floor No.2 Wire (Under the Rear Passenger's LH Seat) |

**: GROUND POINTS**

| Code | See Page | Ground Points Location |
|------|----------|-----------------------------|
| IH | 58 | Right Side of Shift Lever |
| II | | |
| IJ | 58 | Instrument Panel Brace RH |
| BM | 62 | Quarter Panel LH |
| BO | 62 | Quarter Panel RH |
| BP | 66 | Rear Passenger LH Seat Back |

**: SPLICE POINTS**

| Code | See Page | Wire Harness with Splice Points | Code | See Page | Wire Harness with Splice Points |
|------|----------|---------------------------------|------|----------|---------------------------------|
| B8 | 66 | Rear Seat LH Wire | | | |