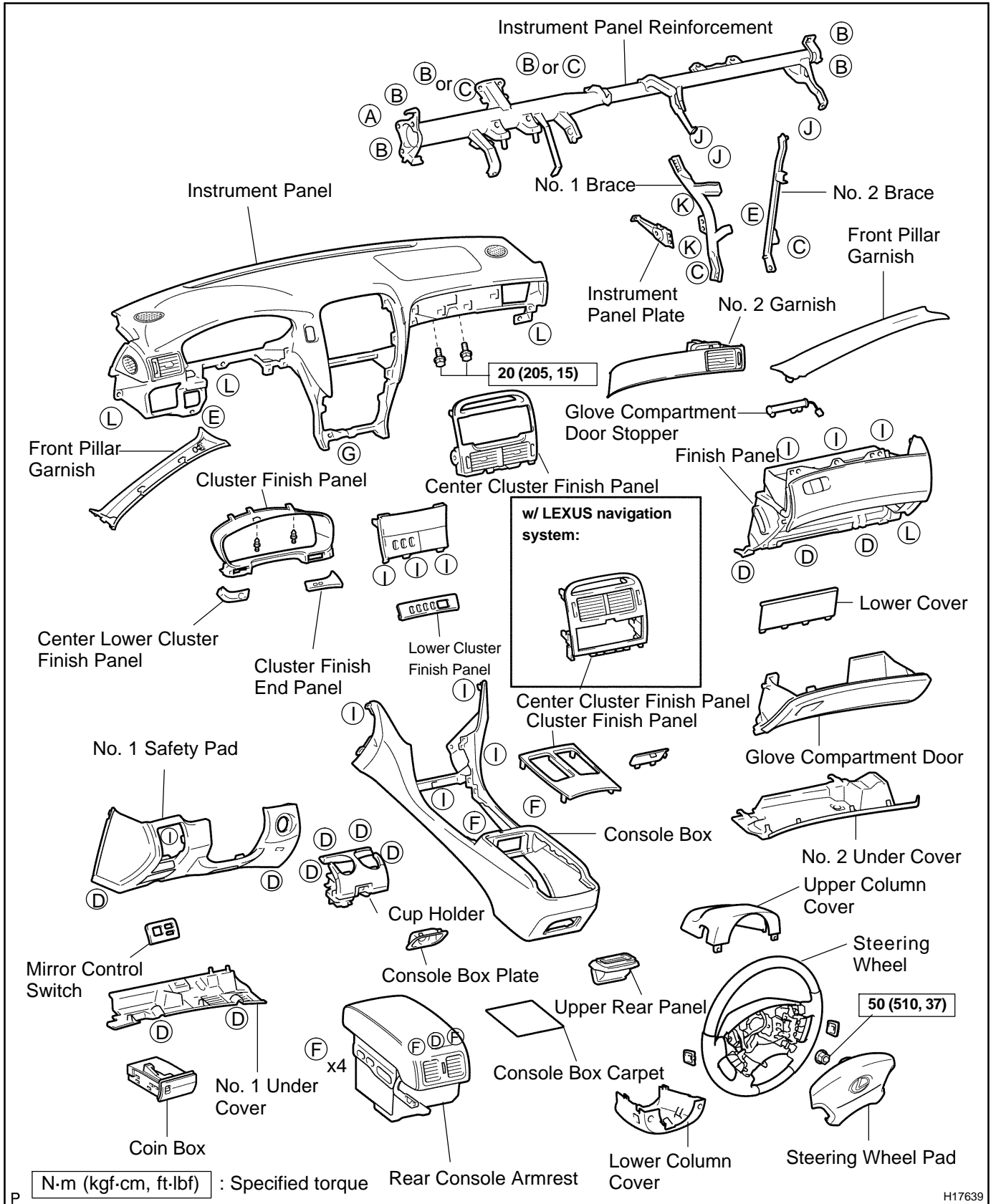
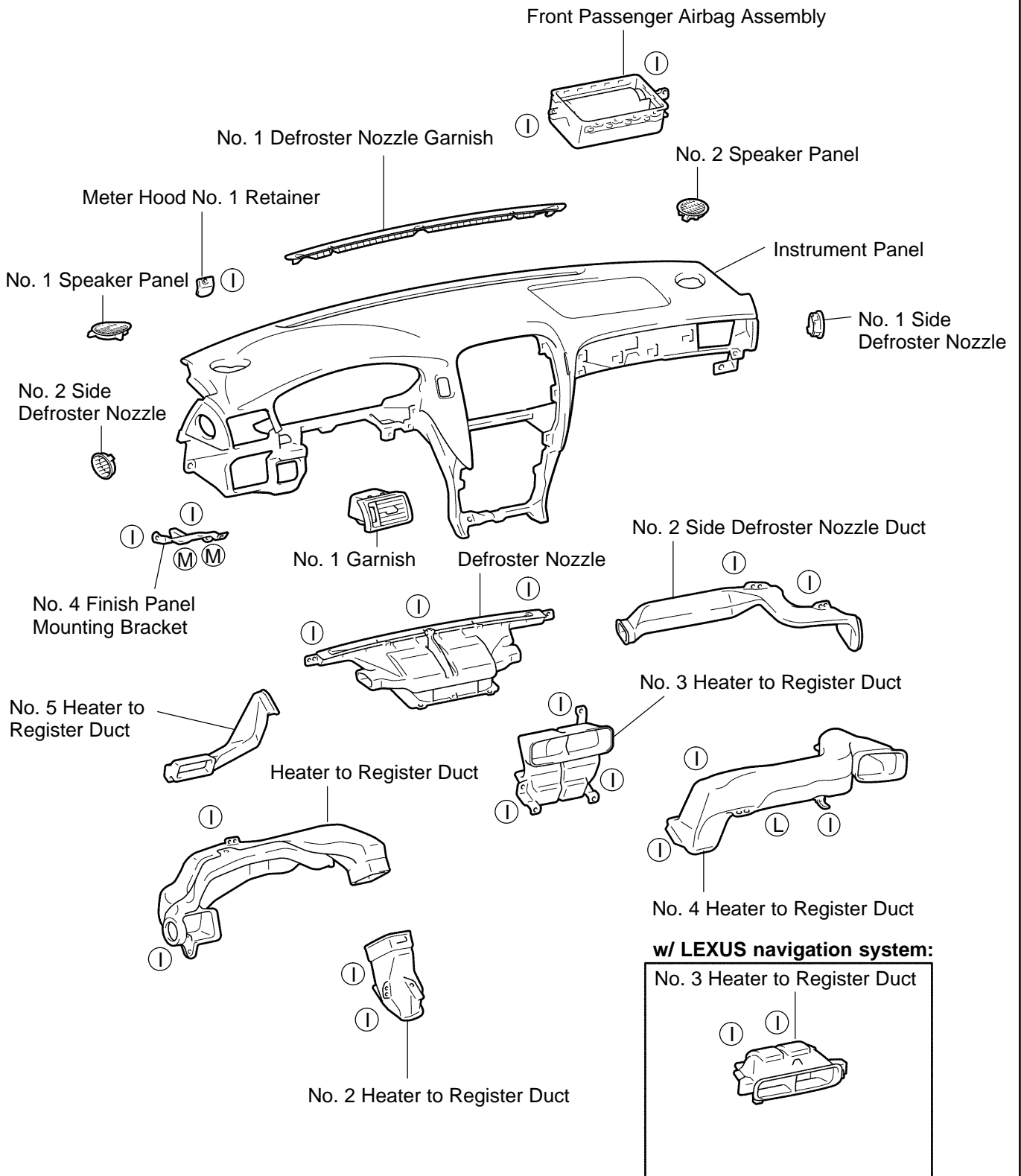
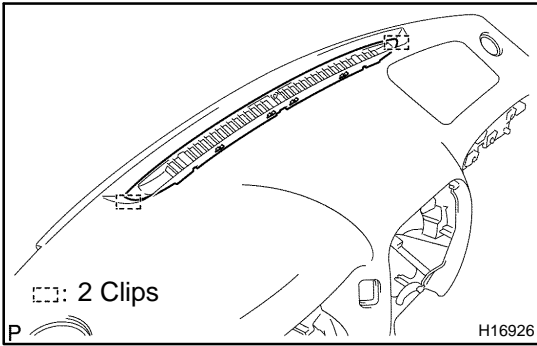


# INSTRUMENT PANEL COMPONENTS



N·m (kgf·cm, ft·lbf) : Specified torque





## DISASSEMBLY

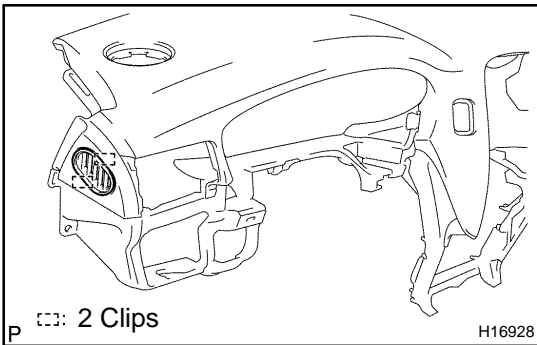
### 1. REMOVE A/C SOLAR SENSOR

### 2. REMOVE NO. 1 DEFROSTER NOZZLE GARNISH

Using a screwdriver, remove the No. 1 defroster nozzle garnish.

HINT:

Tape the screwdriver tip before use.



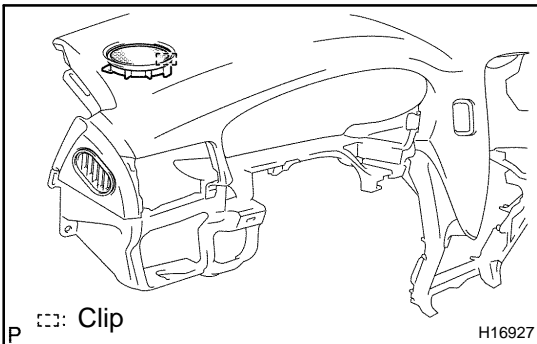
### 3. REMOVE NO. 1 AND NO. 2 SIDE DEFROSTER NOZZLE

(a) Using a screwdriver, remove the No. 1 side defroster nozzle.

HINT:

Tape the screwdriver tip before use.

(b) Employ the same manner described above to the No. 2 side defroster nozzle.



### 4. REMOVE NO. 1 AND NO. 2 SPEAKER PANEL

(a) Using a screwdriver, remove the No. 1 speaker panel.

HINT:

Tape the screwdriver tip before use.

(b) Employ the same manner described above to the No. 2 speaker panel.

### 5. REMOVE NO. 1 GARNISH

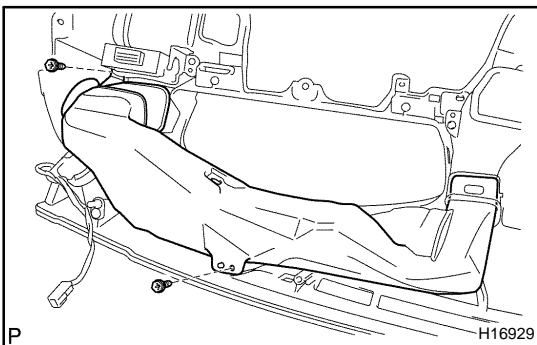
### 6. REMOVE GATEWAY ECU

(a) Remove the 2 screws and gateway ECU.

(b) Disconnect the connector.

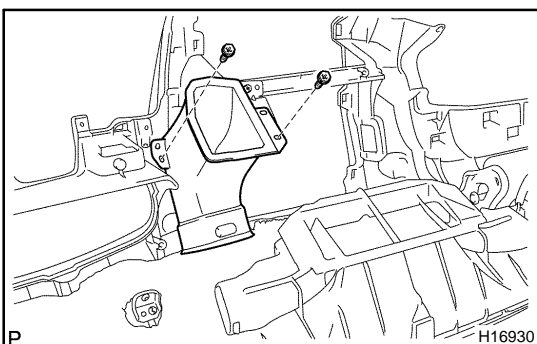
### 7. REMOVE HEATER TO REGISTER DUCT

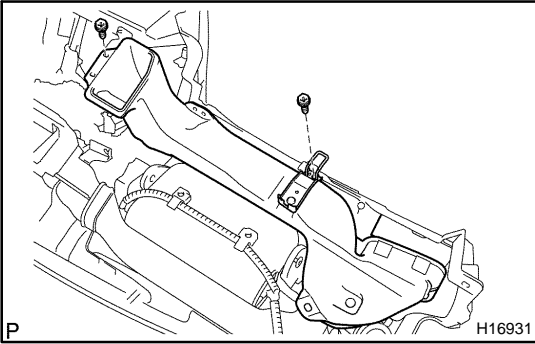
Remove the 2 screws and heater to register duct.



### 8. REMOVE NO. 2 HEATER TO REGISTER DUCT

Remove the 2 screws and No. 2 heater to register duct.

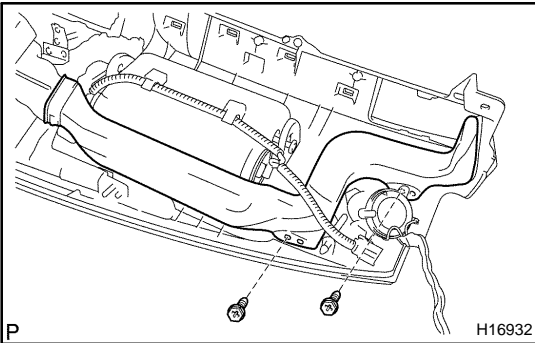


**9. REMOVE NO. 4 HEATER TO REGISTER DUCT**

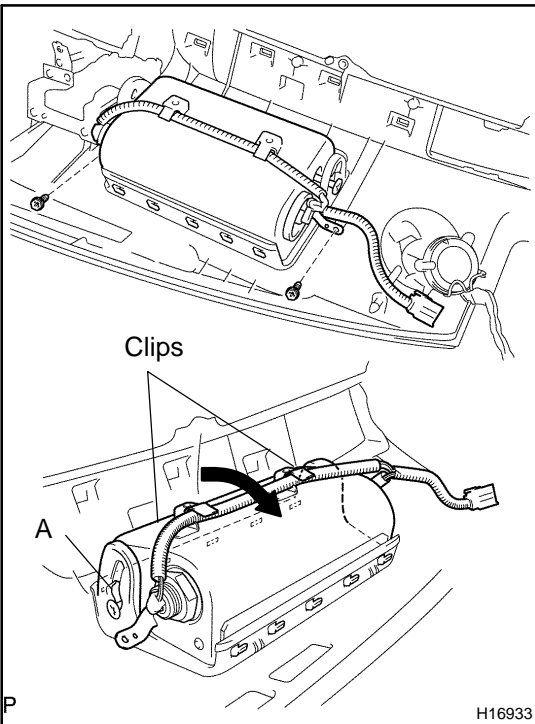
Remove the nut, 2 screws and No. 4 heater to register duct.

**10. REMOVE NO. 3 HEATER TO REGISTER DUCT**

- (a) w/ LEXUS navigation system:  
Remove the 2 screws and No. 3 heater to register duct.
- (b) w/o LEXUS navigation system:  
Remove the 3 screws and No. 3 heater to register duct.

**11. REMOVE NO. 2 SIDE DEFROSTER NOZZLE DUCT**

Remove the 2 screws and No. 2 side defroster nozzle duct.

**12. REMOVE FRONT PASSENGER AIRBAG ASSEMBLY**

- (a) Remove the 2 screws that are connecting the front passenger airbag assembly to the instrument panel and take out the 2 clips installed to the rear part of the airbag door.
- (b) Bend the rear part of the airbag door to remove the door bracket of the front passenger airbag assembly.
- (c) Rotate the front passenger airbag assembly around the connected part of the door and the front side door bracket.
- (d) When the front passenger airbag assembly comes to part A, bend the side faces to release it from the stand nuts.
- (e) Thoroughly rotate the front passenger airbag assembly to remove it completely.
- (f) Separate the door bracket of the front passenger airbag assembly from the front part of the airbag door and take out the front passenger airbag assembly.

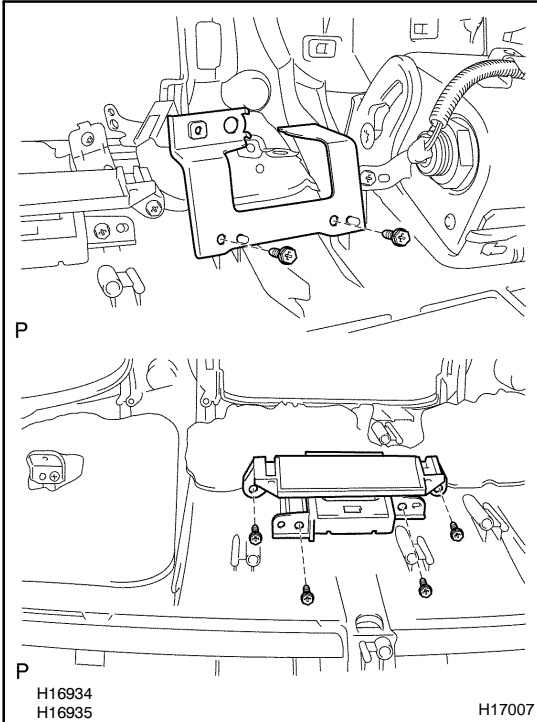
**NOTICE:**

At the time of reassembly, please refer to the following items.

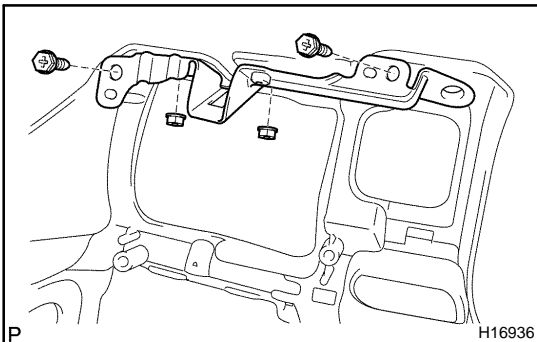
- When installing the front passenger airbag assembly, take care that the wiring does not interfere with other parts and is not pinched between other parts.
- If the front passenger airbag assembly has been dropped, or there are cracks, dents or other defects in the case or connector, replace the front passenger airbag assembly with a new one.

**13. REMOVE TWEETER SPEAKER**

- (a) Remove the 2 screws and tweeter speaker.
- (b) Employ the same manner described above to the other side.

**14. REMOVE BRACKETS**

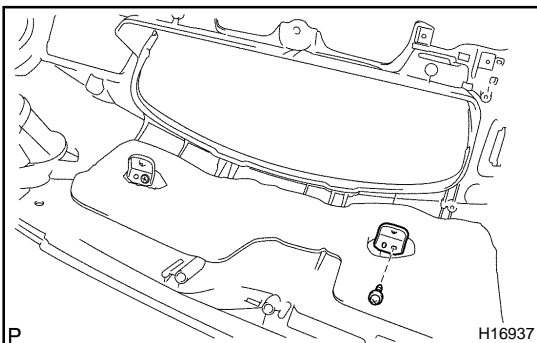
Remove the 6 screws and brackets.

**15. REMOVE NO. 4 FINISH PANEL MOUNTING BRACKET**

Remove the 2 screws and No. 4 finish panel mounting bracket.

**16. REMOVE MOUNTING BRACKET**

Remove the screw and mounting bracket.

**17. REMOVE NO. 1 METER HOOD RETAINER**

Remove the screw and No. 1 meter hood retainer.