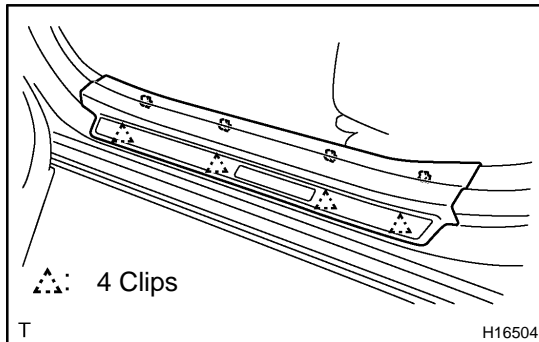


## REMOVAL

1. REMOVE FRONT SEATS (See page [BO-156](#))
2. REMOVE REAR SEAT CUSHION  
(See page [BO-169](#) or [BO-176](#))
3. REMOVE REAR SEATBACK ASSEMBLY  
(See page [BO-169](#) or [BO-176](#))
4. Power adjuster type:  
REMOVE REAR SEAT ADJUSTER  
(See page [BO-176](#))



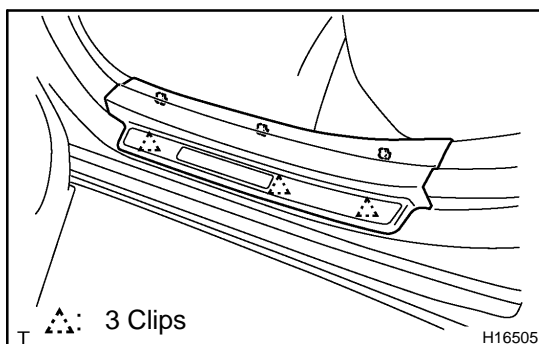
### 5. REMOVE FRONT DOOR SCUFF PLATE

- (a) Using a screwdriver, remove the front door scuff plate as shown in the illustration.

#### HINT:

Tape the screwdriver tip before use.

- (b) Employ the same manner described above to the other side.



### 6. REMOVE REAR DOOR SCUFF PLATE

- (a) Using a screwdriver, remove the rear door scuff plate as shown in the illustration.

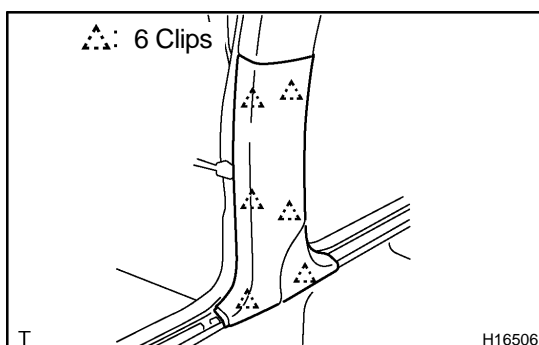
#### HINT:

Tape the screwdriver tip before use.

- (b) Employ the same manner described above to the other side.

### 7. REMOVE FRONT DOOR OPENING TRIMS

### 8. REMOVE REAR DOOR OPENING TRIMS



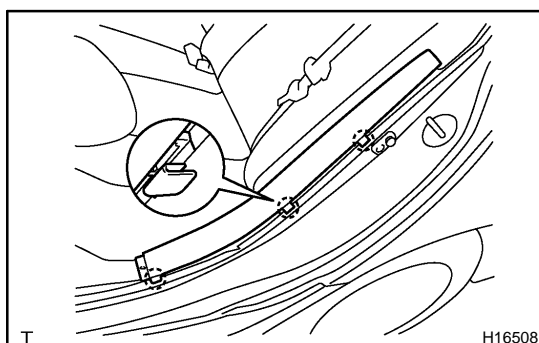
### 9. REMOVE CENTER PILLAR LOWER GARNISH

- (a) Using a screwdriver, remove the center pillar lower garnish.

#### HINT:

Tape the screwdriver tip before use.

- (b) Employ the same manner described above to the other side.



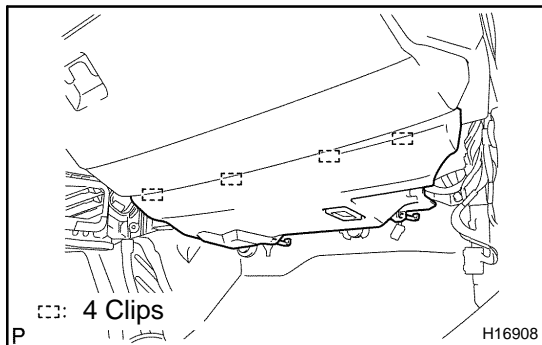
### 10. REMOVE REAR SEAT SIDE GARNISH

- (a) Using a screwdriver, remove the rear seat side garnish.

#### HINT:

Tape the screwdriver tip before use.

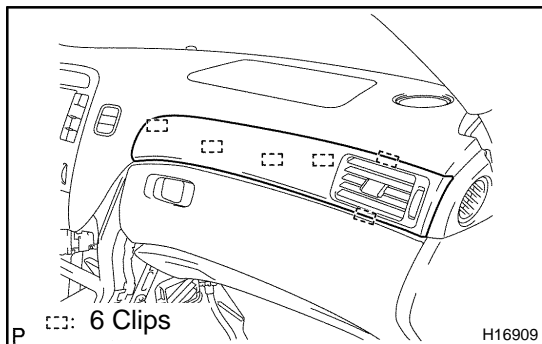
- (b) Employ the same manner described above to the other side.

**11. REMOVE NO. 2 UNDER COVER**

Using a screwdriver, pry the No. 2 under cover to remove it.

HINT:

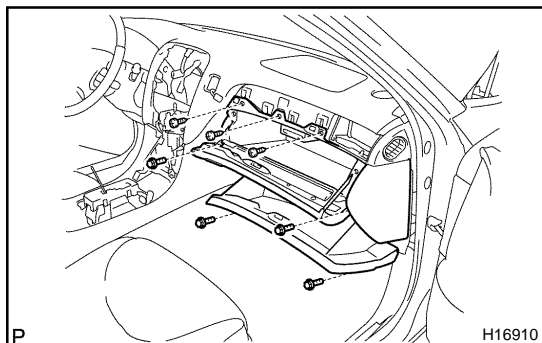
Tape the screwdriver tip before use.

**12. REMOVE NO. 2 GARNISH**

Using a screwdriver, remove the No. 2 garnish.

HINT:

Tape the screwdriver tip before use.

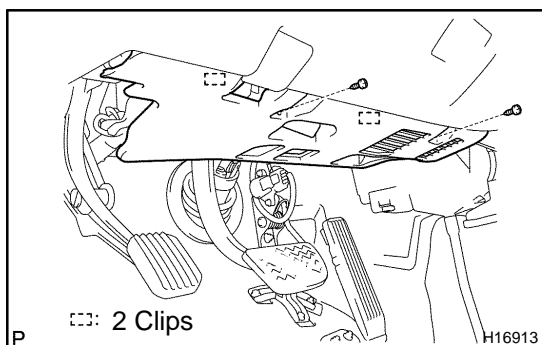
**13. REMOVE FINISH PANEL ASSEMBLY**

(a) Remove the 4 bolts and 3 screws.

(b) Using a screwdriver, remove the finish panel assembly.

HINT:

Tape the screwdriver tip before use.

**14. REMOVE NO. 1 UNDER COVER**

(a) Remove the 2 screws.

(b) Using a screwdriver, remove the No. 1 under cover.

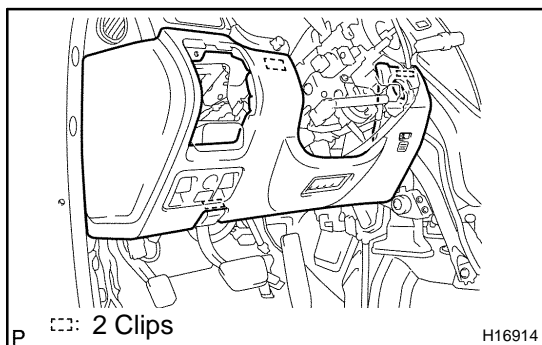
HINT:

Tape the screwdriver tip before use.

**15. REMOVE NO. 1 SAFETY PAD**

(a) Remove the 2 screws and hood lock release lever.

(b) Remove the 2 bolts and screw.

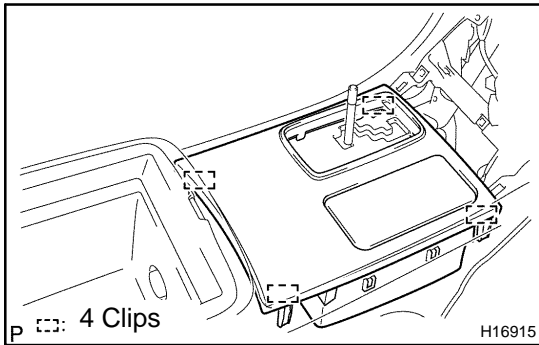


(c) Using a screwdriver, remove the No. 1 safety pad.

HINT:

Tape the screwdriver tip before use.

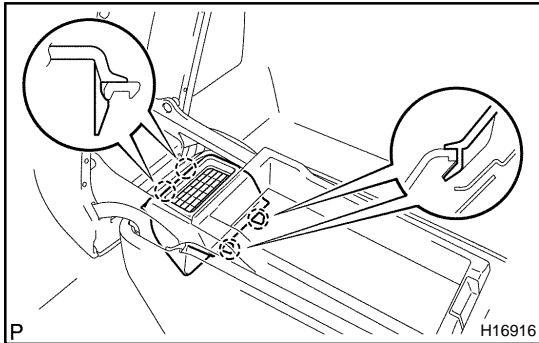
(d) Disconnect the connectors.

**16. REMOVE CLUSTER FINISH PANEL**

Using a screwdriver, remove the cluster finish panel.

HINT:

Tape the screwdriver tip before use.

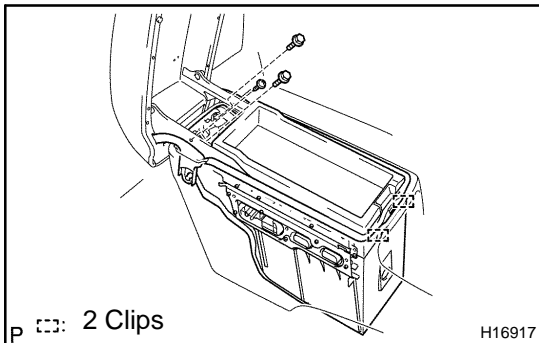
**17. REMOVE REAR CONSOLE ARMREST**

(a) Using a screwdriver, remove the upper rear console panel.

HINT:

Tape the screwdriver tip before use.

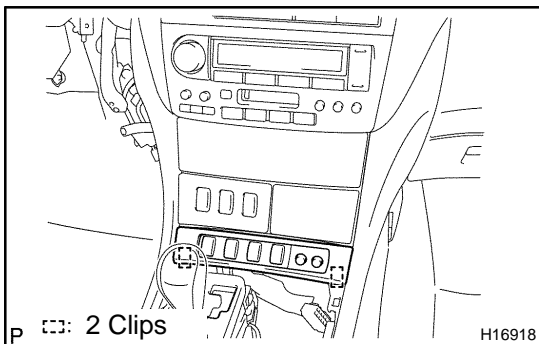
(b) Remove the console box carpet.



(c) Remove the 2 bolts and screw.

(d) Slide the inner tray and remove the 4 bolts.

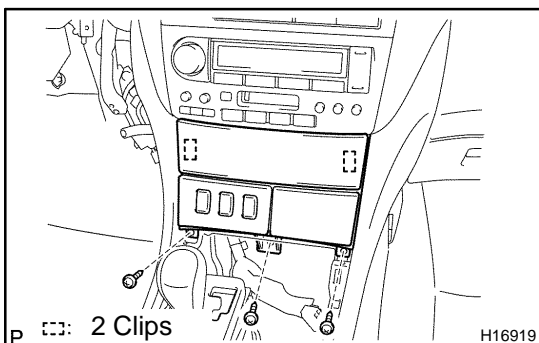
(e) Remove the rear console armrest.

**18. REMOVE LOWER CENTER FINISH PANEL**

Using a screwdriver, remove the lower center finish panel.

HINT:

Tape the screwdriver tip before use.

**19. REMOVE LOWER CLUSTER FINISH PANEL**

(a) Remove the 3 screws.

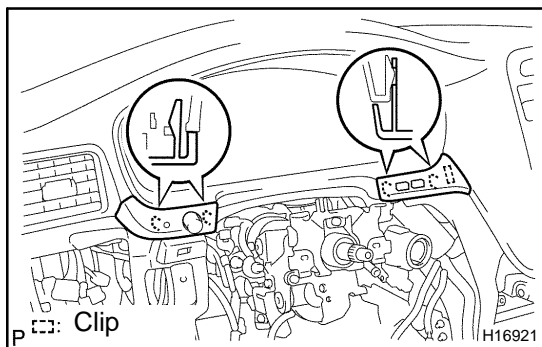
(b) Using a screwdriver, remove the lower cluster finish panel.

**NOTICE:**

**Do not pull the door, when remove the lower cluster finish panel.**

HINT:

Tape the screwdriver tip before use.

**20. REMOVE CLUSTER FINISH END PANEL**

(a) Using a screwdriver, remove the cluster finish end panel.

HINT:

Tape the screwdriver tip before use.

(b) Disconnect the connector.

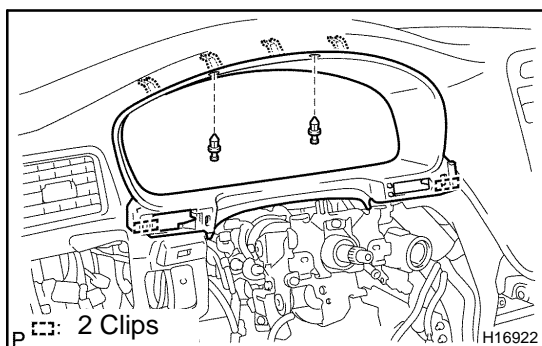
**21. REMOVE CENTER LOWER CLUSTER FINISH PANEL**

(a) Using a screwdriver, remove the center lower cluster finish panel.

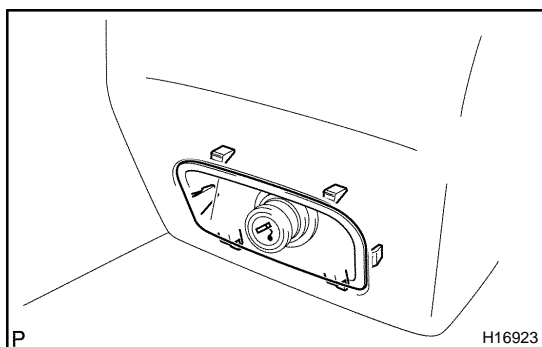
HINT:

Tape the screwdriver tip before use.

(b) Disconnect the connector.

**22. REMOVE CLUSTER FINISH PANEL**

Remove the 2 clips and cluster finish panel.

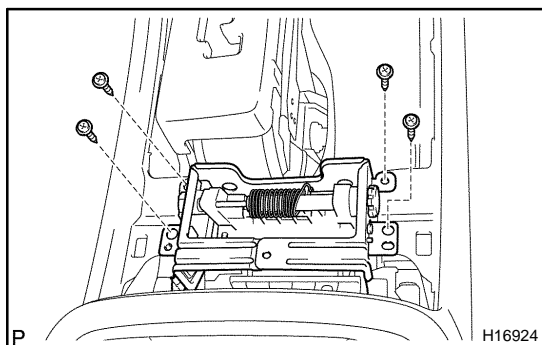
**23. REMOVE CONSOLE BOX**

(a) Using a screwdriver, remove the console box plate.

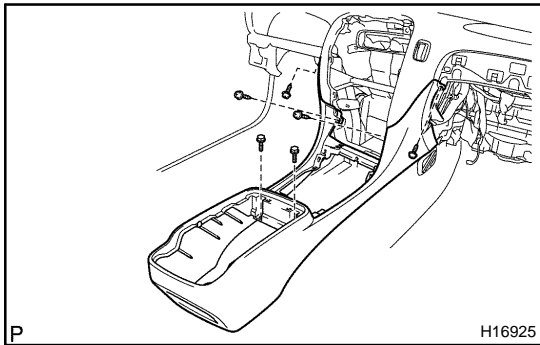
HINT:

Tape the screwdriver tip before use.

(b) Disconnect the connector.



(c) Remove the 4 screws and cup holder.



(d) Remove the 2 bolts, 4 screws and console box.

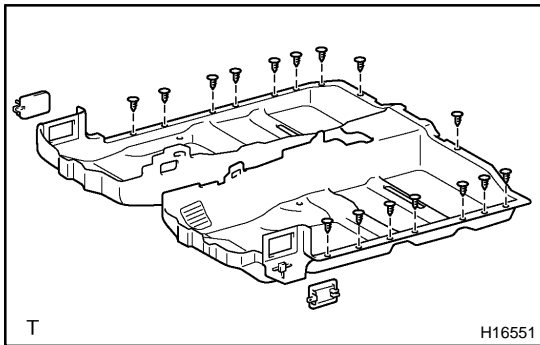
#### 24. REMOVE AIR DUCT

(a) Using a screwdriver, remove the 4 caps.

HINT:

Tape the screwdriver tip before use.

(b) Remove the 4 screws and 2 air ducts.



#### 25. REMOVE FUSE BOX COVERS

#### 26. REMOVE FLOOR CARPET

(a) Using a clip remover, remove the 16 clips.

(b) Through the wire harness and connector from the cut-outs.

(c) Disengage the flange clips, then remove the floor carpet.

**NOTICE:**

**Be careful not to damage the wire harness and connectors.**