

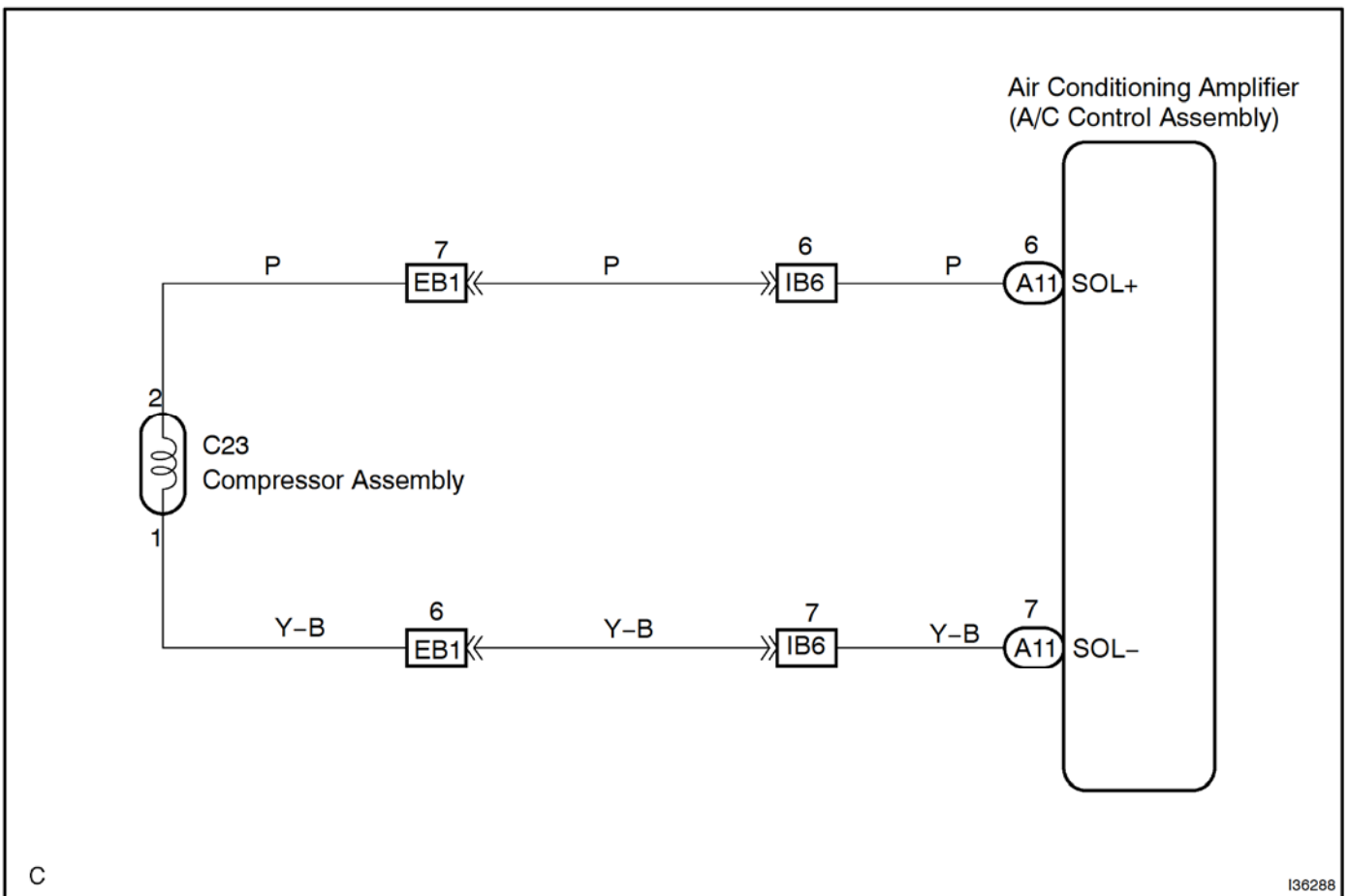
<b>DTC</b>	<b>B1451</b>	<b>COMPRESSOR SOLENOID CIRCUIT</b>
------------	--------------	------------------------------------

**CIRCUIT DESCRIPTION**

In this circuit, the compressor assembly receives a signal on refrigerant compression required by the air conditioning amplifier. Based on the signal, the compressor assembly changes the degree of refrigerant compression.

DTC No.	Detection Item	Trouble Area
B1451	Solenoid of the externally changeable compressor circuit (Open or short)	<ul style="list-style-type: none"> <li>• Cooler compressor assy</li> <li>• Harness and connector between A/C amplifier and solenoid of the externally changeable compressor</li> <li>• A/C amplifier</li> </ul>

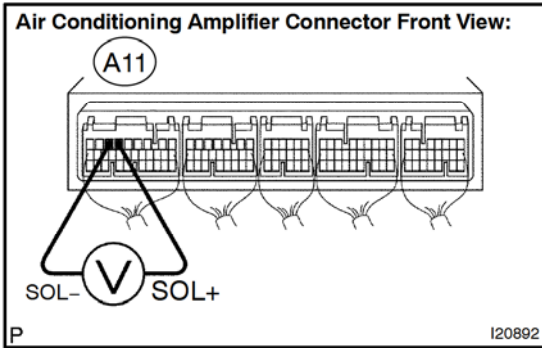
**WIRING DIAGRAM**



C

# INSPECTION PROCEDURE

## 1 INSPECT AIR CONDITIONING AMPLIFIER(SOL+ - SOL-)



- (a) Remove the A/C amplifier with connectors still connected.
- (b) Turn the ignition switch to the ON position.
- (c) Measure the voltage according to the value(s) in the table below.

**Standard:**

Tester connection	Condition	Specified condition
A11-6 (SOL+) - A11-7 (SOL-)	Start the engine Auto switch: ON	Below 1.0 V

**HINT:**

As the temperature increases, the voltage decreases.

**Result:**

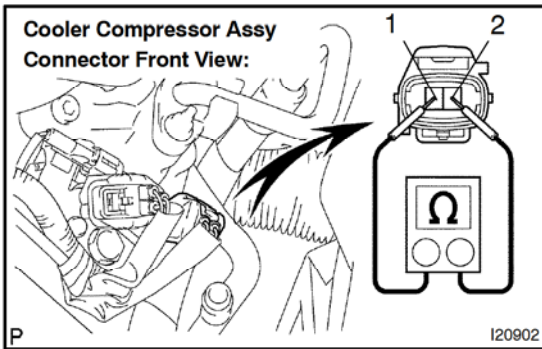
A	NG
B	OK (Checking from the PROBLEM SYMPTOMS TABLE)
C	OK (Checking from the DTC)

**B** → **PROCEED TO NEXT CIRCUIT INSPECTION SHOWN IN PROBLEM SYMPTOMS TABLE (SEE PAGE 05-885)**

**C** → **REPLACE AIR CONDITIONING AMPLIFIER (SEE PAGE 55-16)**

**A**

## 2 INSPECT COOLER COMPRESSOR ASSY(AIR CONDITIONIER SOLENOID)



- (a) Disconnect the cooler compressor assy connector.
- (b) Measure the resistance according to the value(s) in the table below.

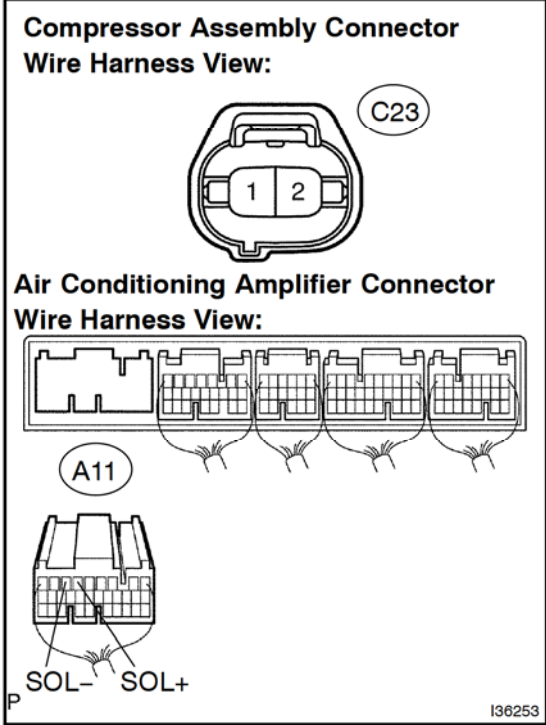
**Standard:**

Tester connection	Condition	Specified condition
1 - 2	at 20°C (68°F)	10 to 11 Ω

**NG** → **REPLACE COOLER COMPRESSOR ASSY**

**OK**

**3 CHECK HARNESS AND CONNECTOR(AIR CONDITIONING AMPLIFIER - COOLER COMPRESSOR ASSY) (SEE PAGE 01-42)**



(a) Measure the resistance according to the value(s) in the table below.

**Standard:**

Tester connection	Condition	Specified condition
A11-6 (SOL+) - C23-2	Always	Below 1 Ω
A11-7 (SOL-) - C23-1	Always	Below 1 Ω
A11-6 (SOL+) - Body ground	Always	10 kΩ or higher
A11-6 (SOL-) - Body ground	Always	10 kΩ or higher

**NG REPAIR OR REPLACE HARNESS OR CONNECTOR**

**OK**

**REPLACE AIR CONDITIONING AMPLIFIER (SEE PAGE 55-16)**