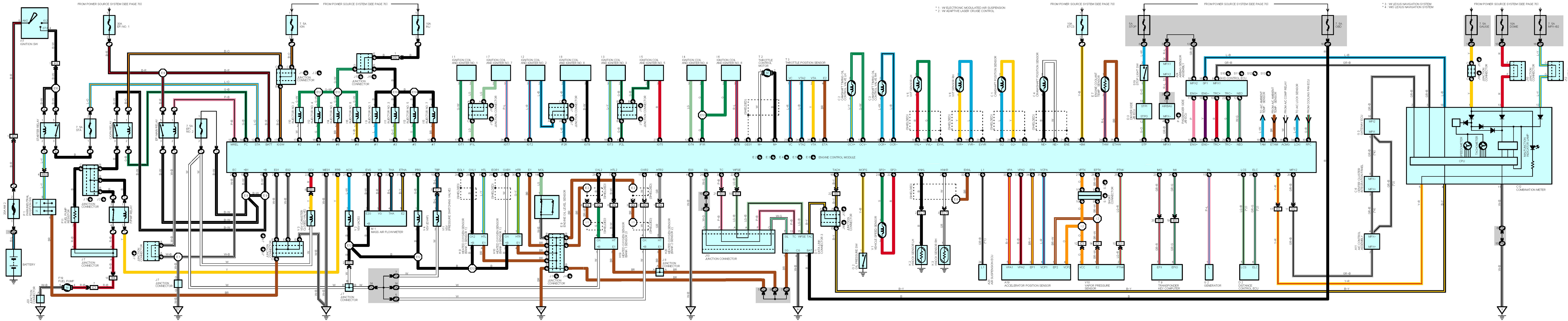


ENGINE CONTROL (2001-2003)



* 1: W ELECTRONIC MODULATED AIR SUSPENSION
 * 2: W ADAPTIVE LASER CRUISE CONTROL

FROM POWER SOURCE SYSTEM (SEE PAGE 70)

FROM POWER SOURCE SYSTEM (SEE PAGE 70)

* 3: W LEXUS NAVIGATION SYSTEM
 * 4: W0 LEXUS NAVIGATION SYSTEM

FROM POWER SOURCE SYSTEM (SEE PAGE 70)