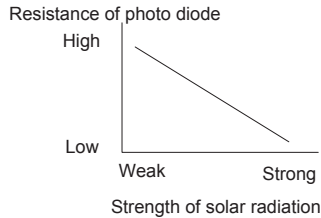
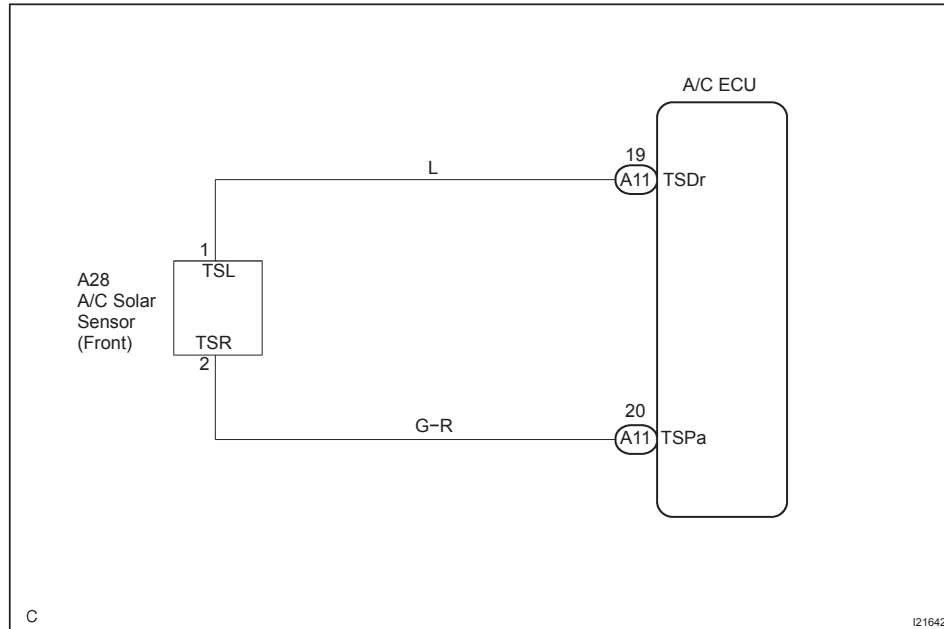


DTC	B1424/24	Solar Sensor Circuit (Driver Side)
------------	-----------------	---

CIRCUIT DESCRIPTION

A photo diode in the solar sensor detects solar radiation and sends signals to the A/C ECU.

DTC No.	Detection Item	Trouble Area
B1424/24	Open or short in solar sensor circuit. Please note that display of diagnostic trouble code B1424/24 is not abnormal when the sensor is not receiving solar radiation.	<ul style="list-style-type: none"> • Solar sensor. • Harness or connector between solar sensor and A/C ECU. • A/C ECU.

WIRING DIAGRAM**INSPECTION PROCEDURE****HINT:**

In case of using the LEXUS hand-held tester, start the inspection step 1 and in case of not using the LEXUS hand-held tester, start from step 2.

1	Check solar sensor using LEXUS hand-held tester.
----------	---

PREPARATION:

Connect the LEXUS hand-held tester to the DLC3.

CHECK:

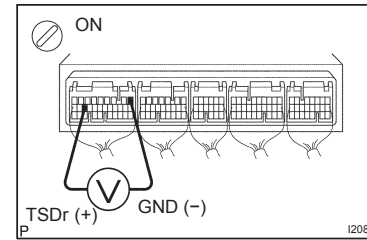
Check the solar sensor using DATA LIST.

OK

Check and replace A/C ECU.

NG

2	Check voltage between terminals TSDr and GND of A/C ECU connector.
----------	---

**PREPARATION:**

Remove A/C ECU with connectors still connected.

CHECK:

- Turn ignition switch to ON.
- Measure voltage between terminals TSDr and GND of A/C ECU connector when the solar sensor is subjected to an electric light, and when the sensor is covered by a cloth.

OK:

Condition	Voltage
Sensor subjected to electric light	0.8 - 4.3 V
Sensor covered by a cloth	Below 0.8 V

HINT:

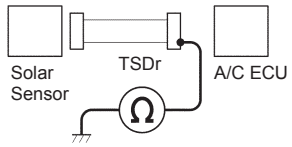
As the inspection light is moved away from the sensor, the voltage increases.

NG

Go to step 3.

OK

Proceed to next circuit inspection shown on problem symptoms table (See page DI-1806). However, if DTC B1424/24 is displayed, check and replace A/C ECU.

3 Check wire harness

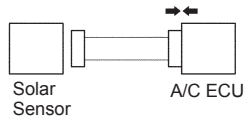
I03347

PREPARATION:

Disconnect the connector of solar sensor and A/C ECU.

CHECK:

Check the continuity between wire harness and body ground.

OK:**Resistance: No continuity****NG****Repair or replace the wire harness.****OK****4 Check A/C ECU.**

I03348

PREPARATION:

Connect the connector of A/C ECU.

CHECK:

Check the DTC.

OK:

B1224/24 is not output.

NG**Replace the A/C ECU.****OK****Replace the solar sensor.**