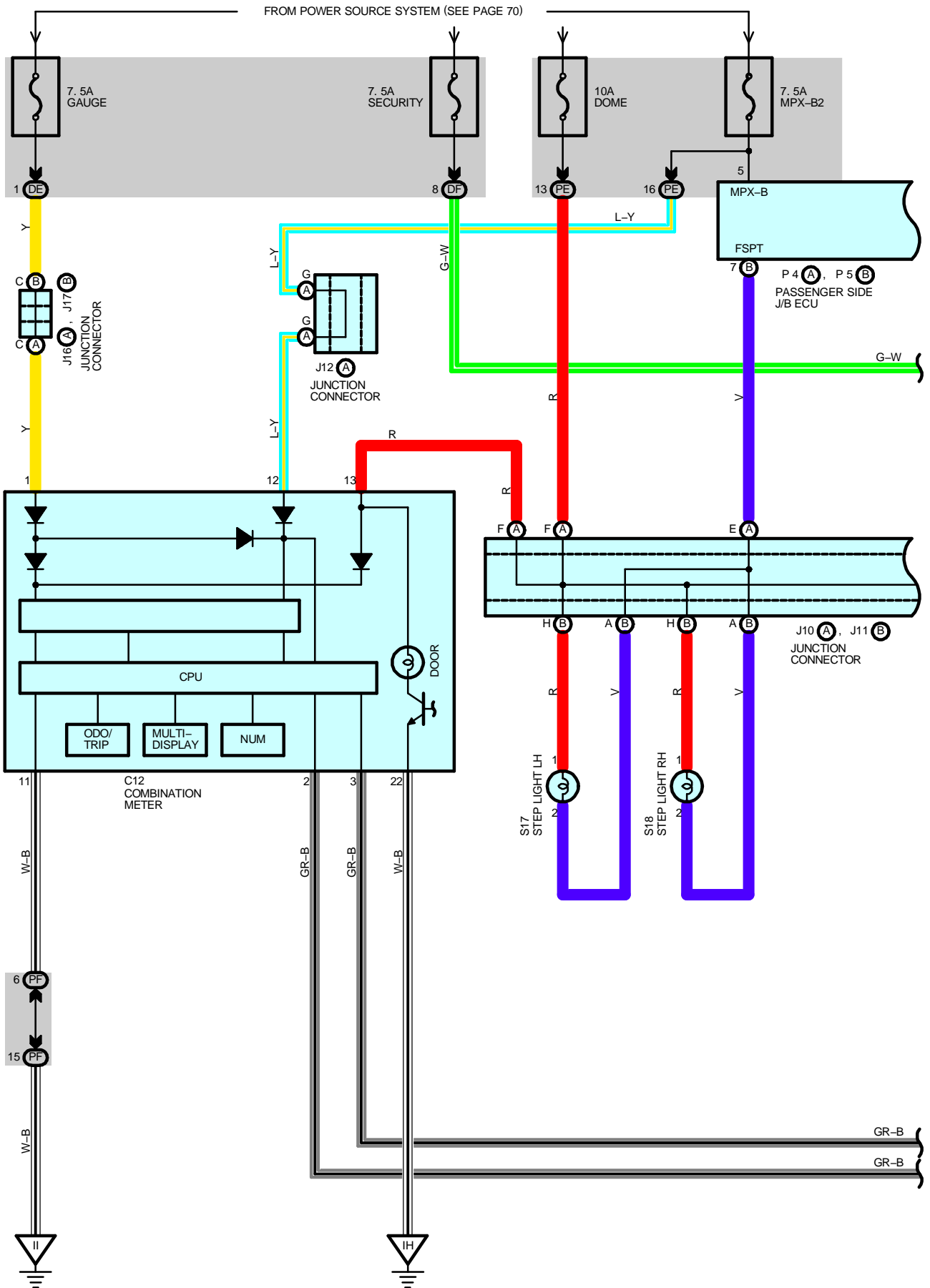
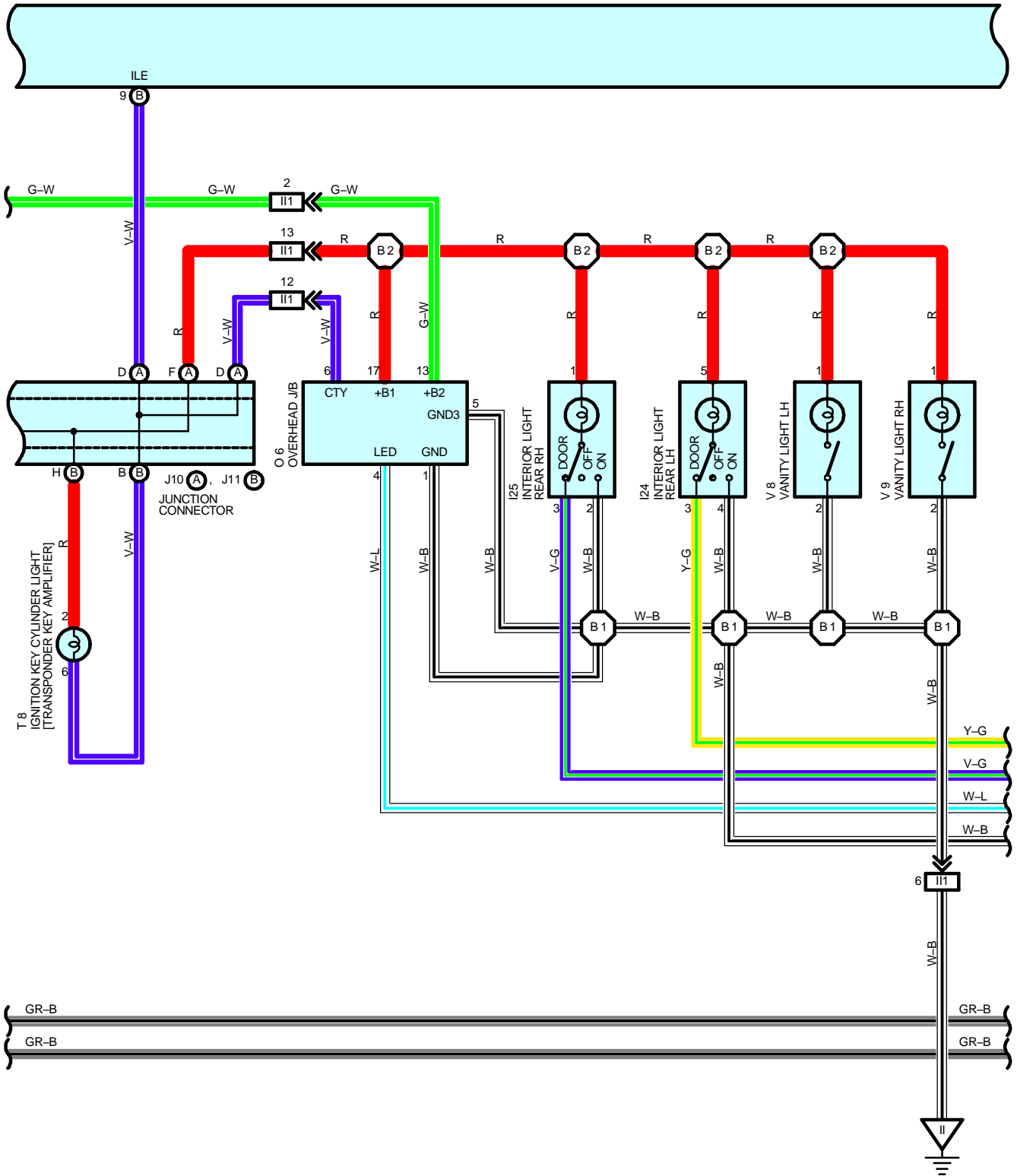


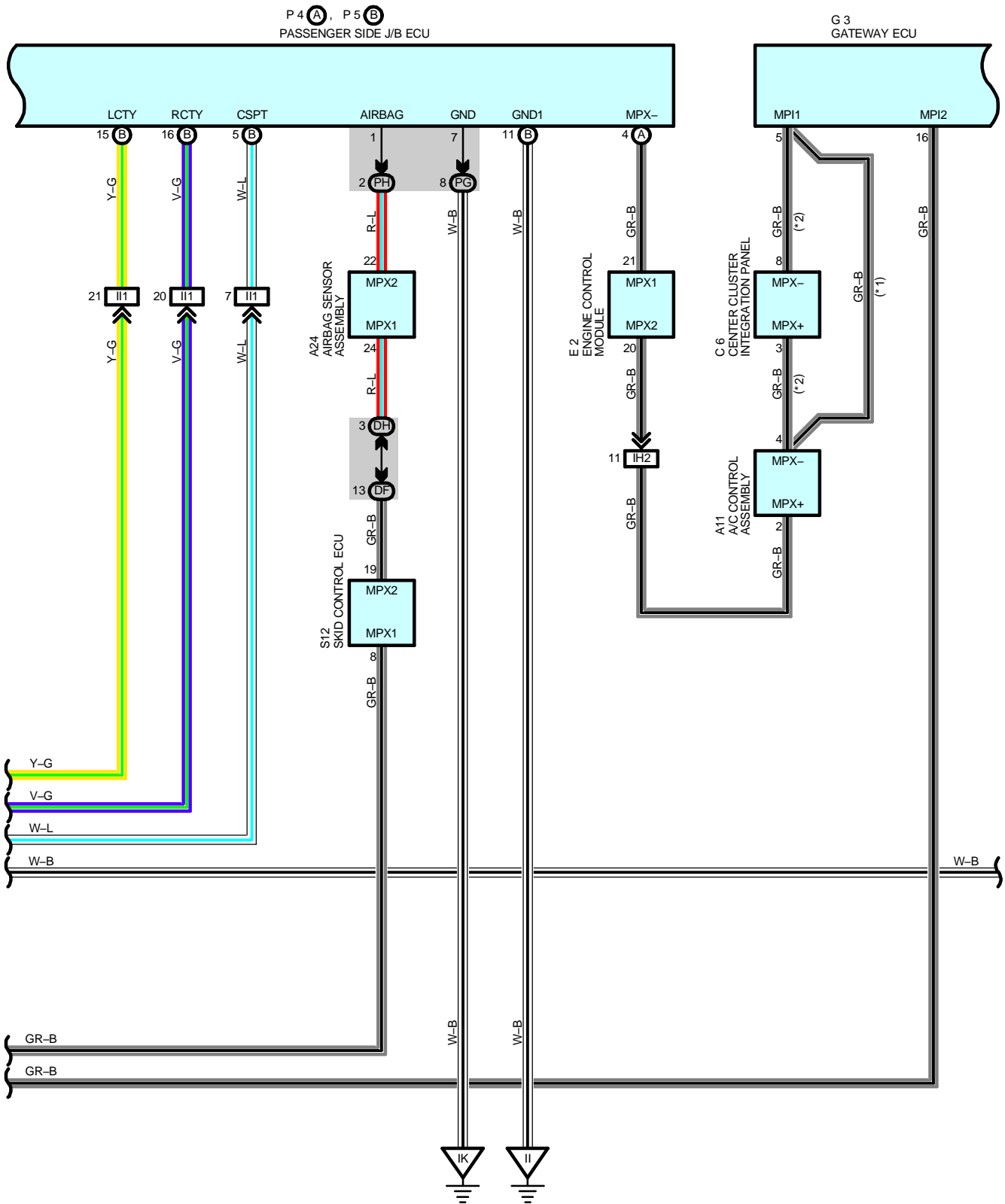
INTERIOR LIGHT



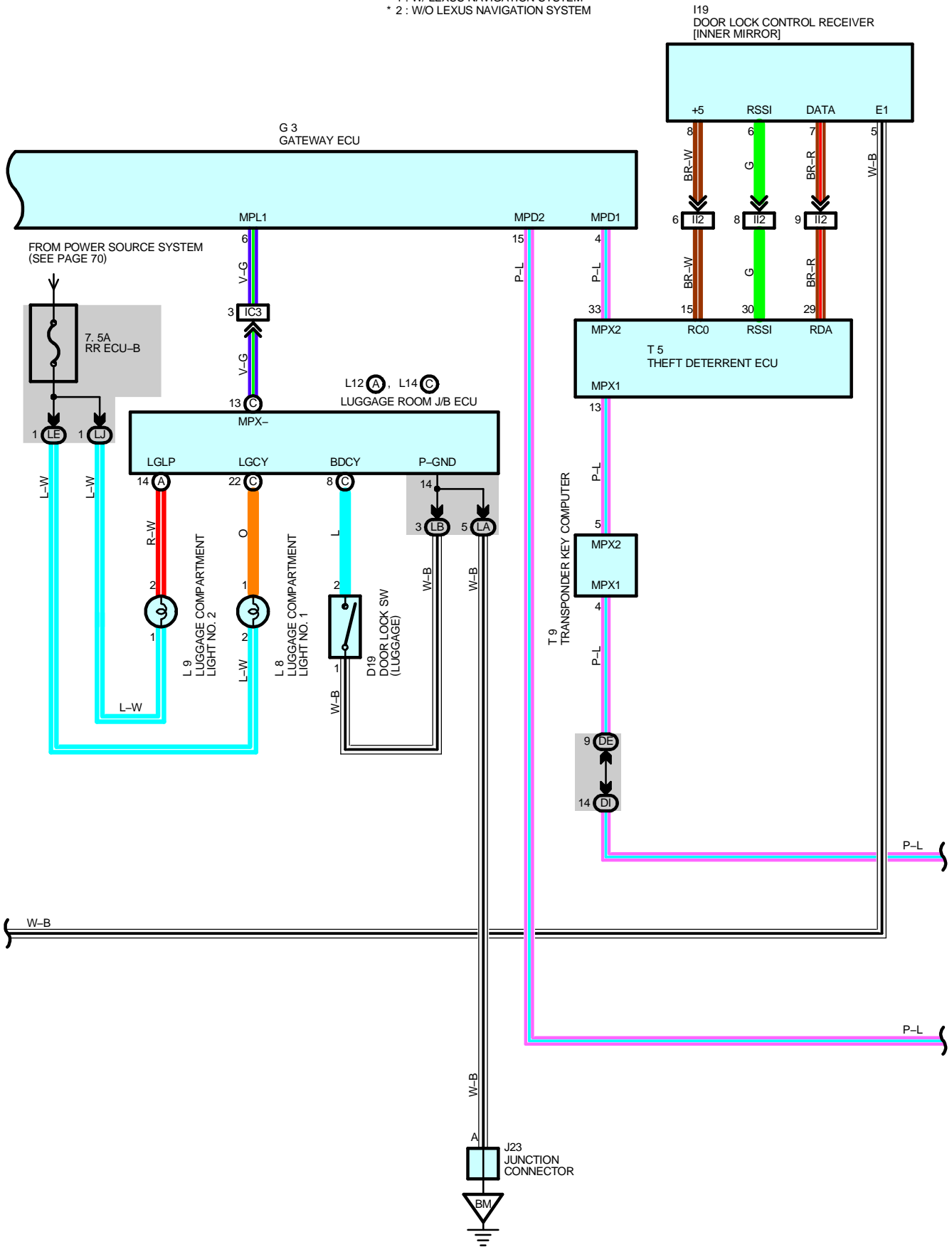
P 4 (A), P 5 (B)
PASSENGER SIDE J/B ECU



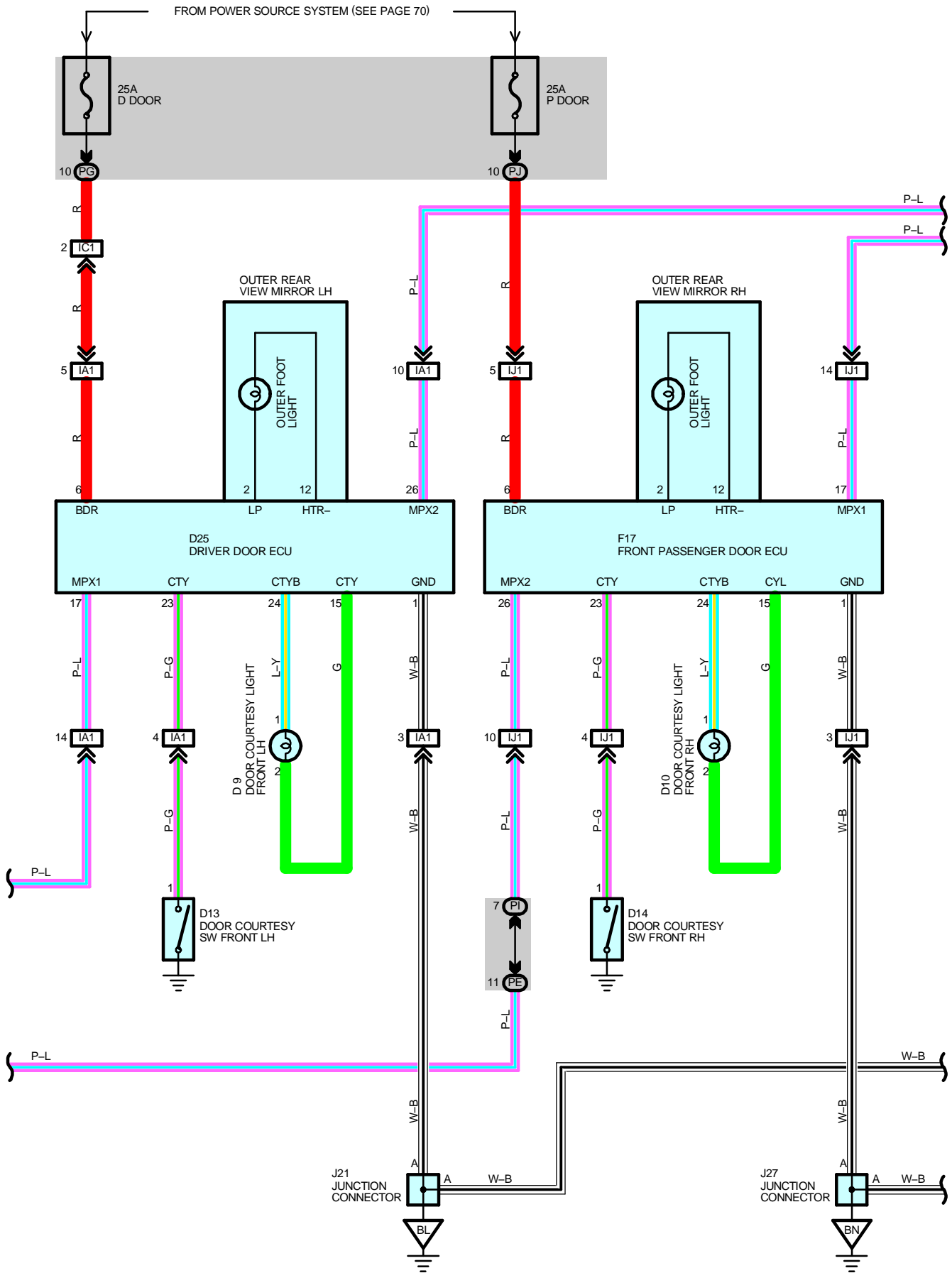
INTERIOR LIGHT

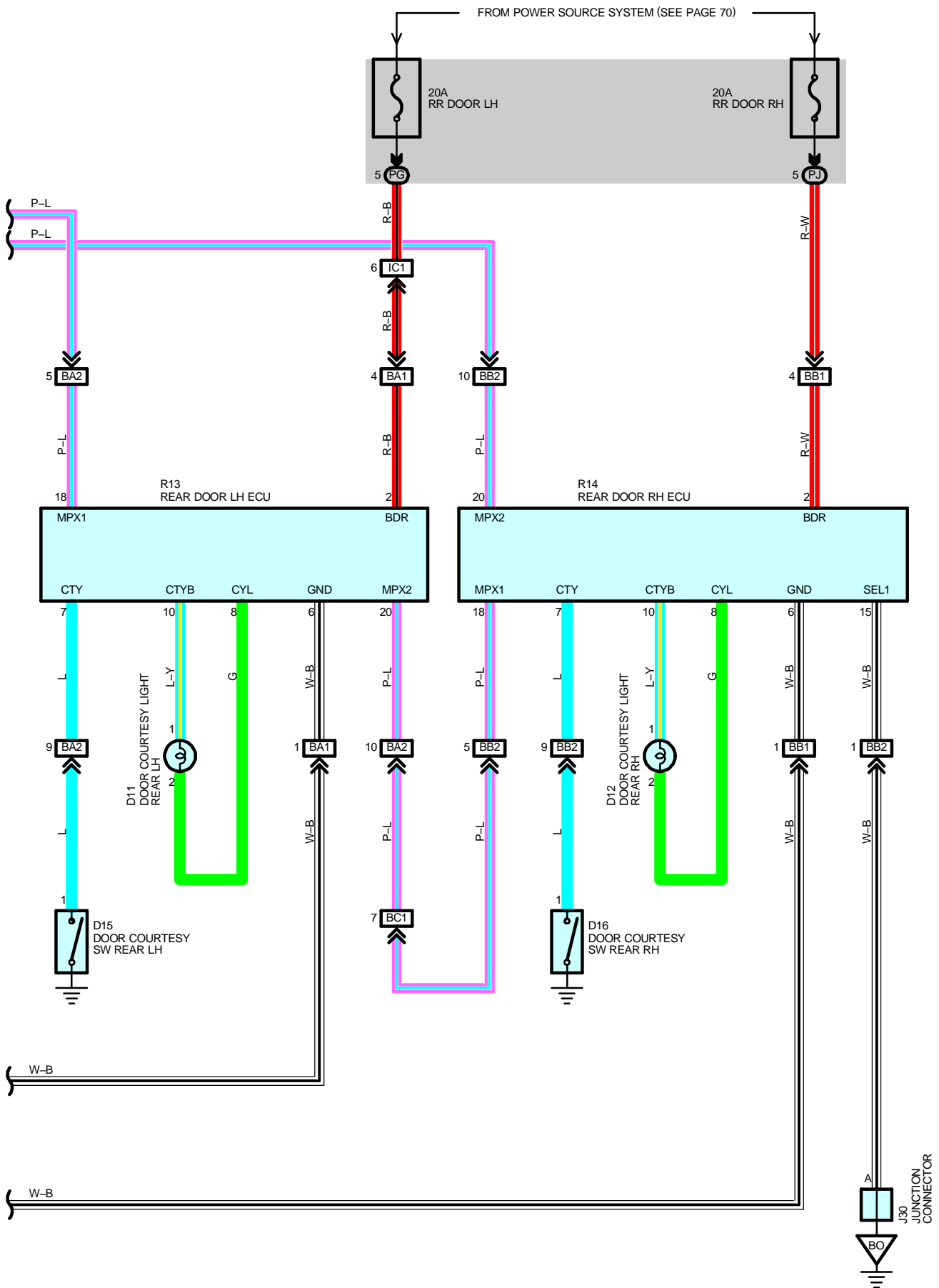


- * 1 : W/ LEXUS NAVIGATION SYSTEM
- * 2 : W/O LEXUS NAVIGATION SYSTEM



INTERIOR LIGHT





INTERIOR LIGHT

SERVICE HINTS

P5 (B) PASSENGER SIDE J/B ECU

5-GROUND : Always approx. 12 volts
7, (B) 11-GROUND : Always continuity

LUGGAGE ROOM J/B ECU

14-GROUND : Always continuity

D25 DRIVER DOOR ECU

6-GROUND : Always approx. 12 volts
1-GROUND : Always continuity

F17 FRONT PASSENGER DOOR ECU

6-GROUND : Always approx. 12 volts
1-GROUND : Always continuity

R13 REAR DOOR LH ECU

2-GROUND : Always approx. 12 volts
6-GROUND : Always continuity

R14 REAR DOOR RH ECU

2-GROUND : Always approx. 12 volts
6, 15-GROUND : Always continuity

○ : PARTS LOCATION

Code	See Page	Code	See Page	Code	See Page
A11	46	G3	47	L14 C	51
A24	46	I19	51	O6	52
C6	46	I24	51	P4 A	48
C12	46	I25	51	P5 B	48
D9	50	J10 A	47	R13	52
D10	50	J11 B	47	R14	52
D11	50	J12 A	47	S12	49
D12	50	J16 A	47	S17	49
D13	50	J17 B	47	S18	49
D14	50	J21	51	T5	49
D15	50	J23	51	T8	49
D16	50	J27	51	T9	49
D19	50	J30	51	V8	53
D25	50	L8	51	V9	53
E2	42	L9	51		
F17	50	L12 A	51		

 : JUNCTION BLOCK AND WIRE HARNESS CONNECTOR

Code	See Page	Junction Block and Wire Harness (Connector Location)
DE	29	Instrument Panel Wire and Driver Side J/B (Left Kick Panel)
DF		
DH		
DI	31	Floor No.2 Wire and Driver Side J/B (Left Kick Panel)
DJ		
LA	40	Floor No.2 Wire and Luggage Room J/B (Luggage Room Left)
LB		
LE		
LJ	40	Luggage Room Wire and Luggage Room J/B (Luggage Room Left)
PE	36	Instrument Panel Wire and Passenger Side J/B (Right Kick Panel)
PF		
PG		
PH		
PI	37	Floor Wire and Passenger Side J/B (Right Kick Panel)
PJ		

 : CONNECTOR JOINING WIRE HARNESS AND WIRE HARNESS

Code	See Page	Joining Wire Harness and Wire Harness (Connector Location)
IA1	58	Front Door LH Wire and Floor No.2 Wire (Left Kick Panel)
IC1	58	Instrument Panel Wire and Floor No.2 Wire (Cowl Side Panel LH)
IC3		
IH2	60	Instrument Panel Wire and Engine Room Main Wire (Cowl Side Panel RH)
II1	60	Instrument Panel Wire and Roof Wire (Cowl Side Panel RH)
II2		
IJ1	60	Front Door RH Wire and Floor Wire (Right Kick Panel)
BA1	62	Rear Door No.2 Wire and Floor No.2 Wire (Left Center Pillar)
BA2		
BB1	62	Rear Door No.1 Wire and Floor Wire (Right Center Pillar)
BB2		
BC1	62	Floor No.2 Wire and Floor Wire (Rear Floor Partition Panel LH)

 : GROUND POINTS

Code	See Page	Ground Points Location
IH	58	Right Side of Shift Lever
II		
IK	58	Cowl Side Panel RH
BL	62	Rear Floor Partition Panel LH
BM	62	Quarter Panel LH
BN	62	Rear Floor Partition Panel RH
BO	62	Quarter Panel RH

 : SPLICE POINTS

Code	See Page	Wire Harness with Splice Points	Code	See Page	Wire Harness with Splice Points
B1	62	Roof Wire	B2	62	Roof Wire