

<b>Last Modified:</b> 4-1-2009	5.7 A	<b>From:</b> 200708
<b>Model Year:</b> 2008	<b>Model:</b> LS460	<b>Doc ID:</b> RM000000VDZ00DX
<b>Title:</b> AUDIO / VISUAL: RADIO RECEIVER: REMOVAL (2008 LS460)		

## REMOVAL

1. REMOVE COWL TOP VENTILATOR LOUVER RH [INFO](#)
2. DISCONNECT CABLE FROM NEGATIVE BATTERY TERMINAL

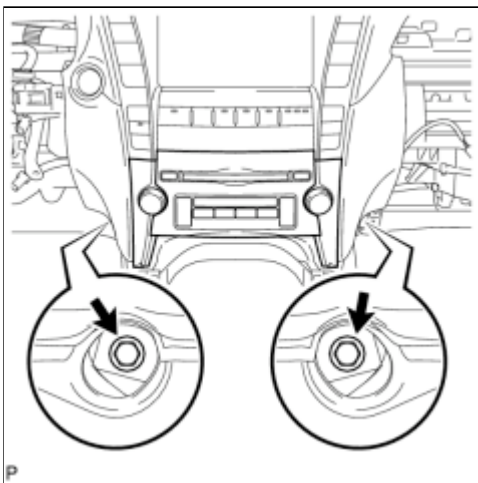
### CAUTION:

Wait at least 90 seconds after disconnecting the cable from the negative (-) battery terminal to prevent airbag and seat belt pretensioner activation.

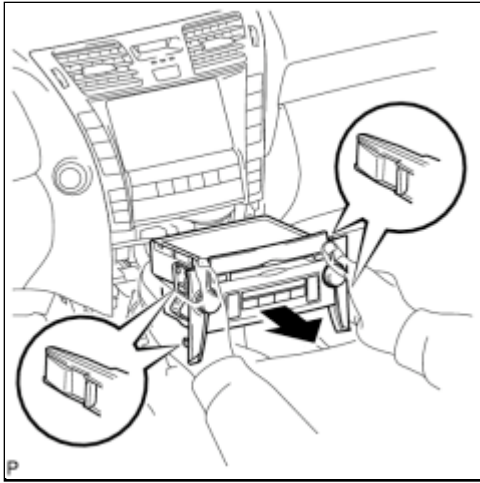
### NOTICE:

After the engine switch is turned off, the HDD navigation system requires approximately 6 minutes to record various types of memory and settings. As a result, after turning the engine switch off, wait 6 minutes or more before disconnecting the cable from the negative (-) battery terminal.

3. REMOVE INSTRUMENT PANEL FINISH PANEL END LH [INFO](#)
4. REMOVE INSTRUMENT PANEL FINISH PANEL END RH [INFO](#)
5. REMOVE SHIFT LEVER KNOB SUB-ASSEMBLY [INFO](#)
6. REMOVE NO. 3 BOX PANEL [INFO](#)
7. REMOVE REAR CONSOLE PANEL UPPER [INFO](#)
8. REMOVE CONSOLE PANEL SUB-ASSEMBLY UPPER [INFO](#)
9. REMOVE RADIO RECEIVER ASSEMBLY WITH BRACKET

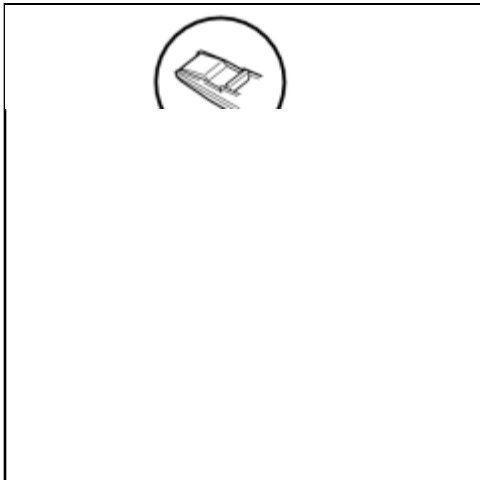


(a) Remove the 2 bolts.



(b) Pull the radio receiver to detach the 4 clips on the backside of the radio receiver.

(c) Disconnect the connectors and remove the radio receiver.



#### **10. REMOVE INSTRUMENT CLUSTER FINISH PANEL ASSEMBLY**

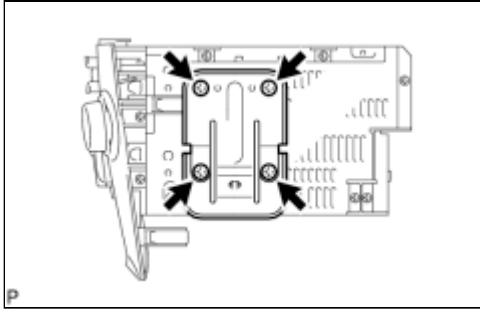
(a) Detach the 5 clips and remove the panel.

#### **11. REMOVE NO. 2 RADIO BRACKET**

(a) Remove the 4 bolts and bracket.

#### **12. REMOVE NO. 1 RADIO BRACKET**

(a) Remove the 4 bolts and bracket.



P

