

COMPONENTS

ILLUSTRATION

SPEAKER HOLE COVER

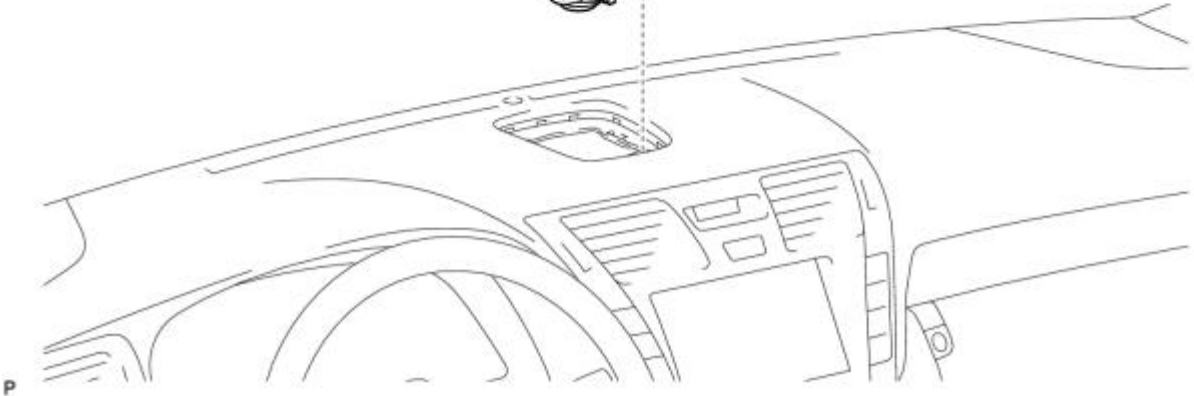


for 19 Speakers Models:

FRONT NO. 3 SPEAKER ASSEMBLY

A technical drawing of a circular speaker assembly. It has a central circular opening and a flange around the perimeter. Two screws are shown being inserted into the flange, with a label 'x 2' indicating the quantity.

FRONT NO. 3 SPEAKER ASSEMBLY

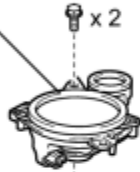


ILLUSTRATION

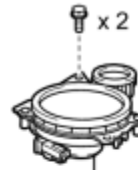
NO. 1 INSTRUMENT PANEL SPEAKER
PANEL SUB-ASSEMBLY



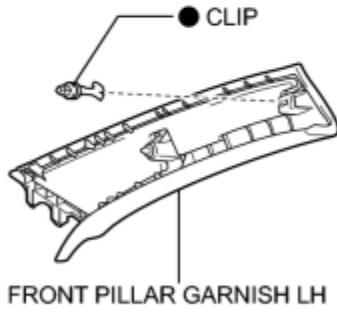
FRONT NO. 2 SPEAKER
ASSEMBLY



for 19 Speakers Models:



FRONT NO. 2 SPEAKER ASSEMBLY



FRONT PILLAR GARNISH LH

● Non-reusable part

