



**Technical Service
Information Bulletin**

April 23, 2007

Title:

WIND NOISE FROM MIRROR BASE

Models:

'07 LS 460/460L

NVH
NV003-07

Introduction Some 2007 model year LS 460/460L vehicle customers may complain of a high-pitched whistle-type wind noise from the base of the outside rear view mirror.

Use the following repair procedure to address this condition.

- Applicable Vehicles**
- **2007** model year **LS 460/460L** vehicles produced **BEFORE** the Production Change Effective VINs shown below.

**Production
Change
Information**

| MODEL/PLANT | PRODUCTION CHANGE EFFECTIVE VIN |
|-------------|---------------------------------|
| LS 460 | JTHBL46F775008725 |
| LS 460L | JTHGL46FX75003217 |

**Required
Tools &
Material**

| TOOLS & MATERIAL | PART NUMBER | QUANTITY |
|------------------|-------------|----------|
| Wind Noise Kit | 08231-00810 | 1 |

**Warranty
Information**

| OP CODE | DESCRIPTION | TIME | OFF | T1 | T2 |
|---------|--|------|----------------|----|----|
| NV7006 | R & R Outside Rear View Mirror (Both Sides) and Insulate Screw Holes | 1.8 | 87940-50510-## | 59 | 43 |

Applicable Warranty*:

This repair is covered under the Lexus Comprehensive Warranty. This warranty is in effect for 48 months or 50,000 miles, whichever occurs first, from the vehicle's in-service date.

* Warranty application is limited to correction of a problem based upon a customer's specific complaint.



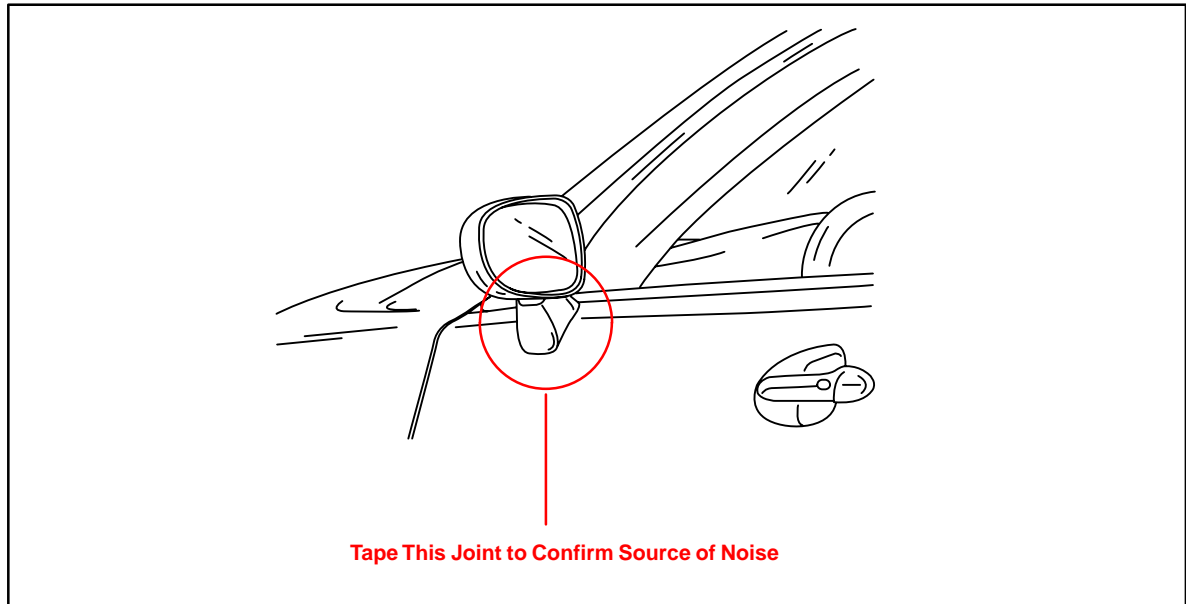
**Repair
Procedure**

1. Confirm that the noise is coming from the base of the mirror.

NOTE:

Perform the following procedures on BOTH outside rear view mirrors.

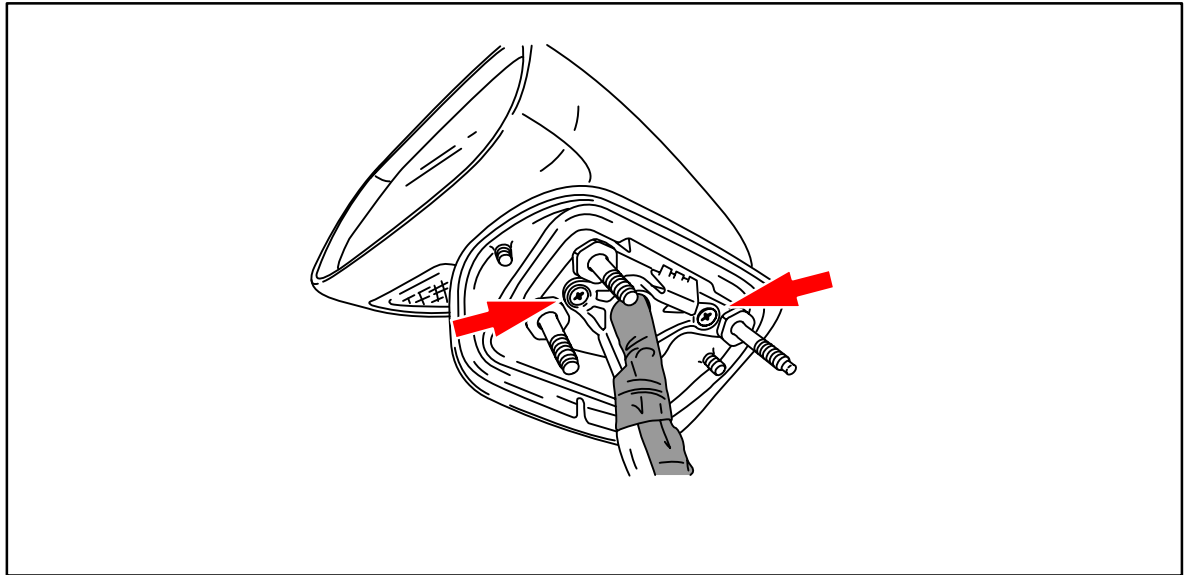
2. Apply tape to the joint between the mirror base and the door outer panel.
3. Test drive the vehicle. If the noise goes away, then follow the steps below to correct this condition.



4. Record the radio station presets.
5. Remove the outside rear view mirror assembly.
Refer to the Technical Information System (TIS), 2007 model year LS 460 Repair Manual, *Vehicle Exterior – Mirror (ext)* –“Outer Rear View Mirror Removal”.

**Repair
Procedure**
(Continued)

6. Remove the two (2) screws from the plastic guide that holds the wiring harness.
7. Remove the tape holding the plastic guide to the wiring harness and slide the plastic guide down the wiring harness so that the underside of the screw bosses are visible.



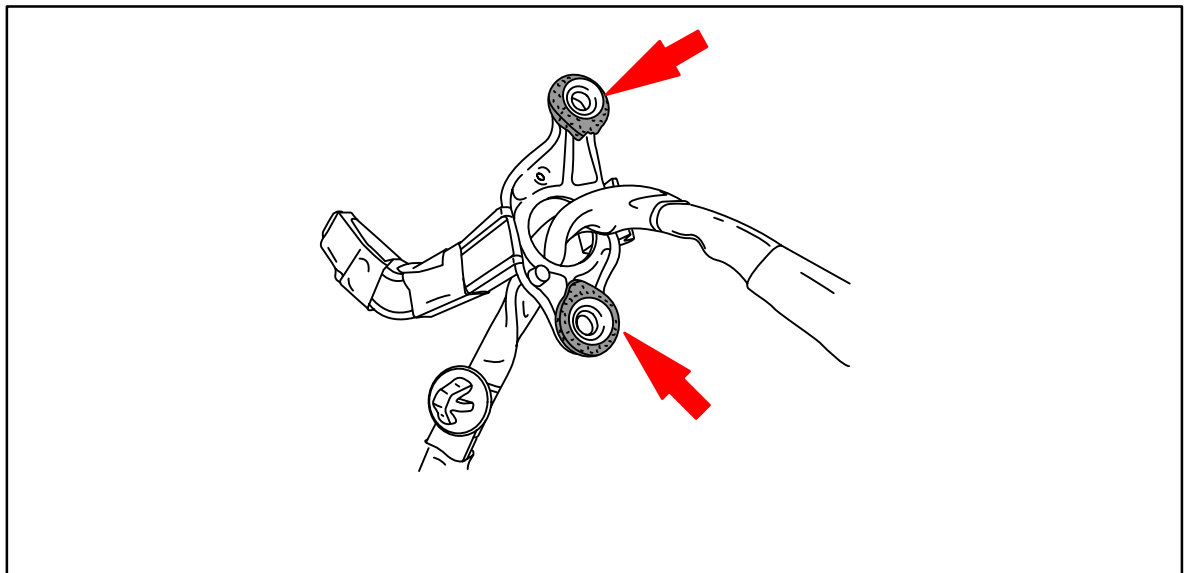
8. From the Wind Noise Kit, cut two strips of foam to the following dimensions:

Length: 35 mm (1.4 in.)

Width: 5 mm (0.2 in.)

Thickness: 3 mm (0.12 in.)

Apply the foam around the outside of the screw bosses on the plastic guide as shown below.



**Repair
Procedure**
(Conitnued)

9. Install the outside rear view mirror assembly:
Refer to the Technical Information System (TIS2), 2007 model year LS 460 Repair Manual: *Vehicle Exterior – Mirror (ext) – “Outer Rear View Mirrorr: Installation”*
10. Reset the radio presets and clock.
11. Test drive the vehicle to confirm that the noise is gone.