


## B-Pillar Lower Garnish Wear

**Service Category** Vehicle Interior

**Section** Interior Panels/Trim

**Market** USA

Lexus Supports  
ASE Certification 

### Applicability

YEAR(S)	MODEL(S)	ADDITIONAL INFORMATION
2007 – 2008	LS460	VDS(s): GL46F
2007 – 2008	LS460	VDS(s): BL46F
2008	LS600H	VDS(s): DU46F

### Introduction

Some 2007 and 2008 Model Year LS460, LS460L and LS600h vehicles may exhibit a lower B-pillar garnish that becomes worn in a contact area. The shape of this garnish has been changed. Use the repair procedure below to improve this condition.

### Production Change Information

This TSB applies to vehicles produced **BEFORE** the Production Change Effective VINs shown below.

MODEL	PRODUCTION CHANGE EFFECTIVE VIN
LS460	JTHBL46F285062516
LS460L	JTHGL46F585024137
LS600hL	JTHDU46F485004266

### Warranty Information

OP CODE	DESCRIPTION	TIME	OFP	T1	T2
BO7006	Replace Center Pillar Garnish (both sides)	1.0	6241#-50080-##	67	19

#### APPLICABLE WARRANTY

- This repair is covered under the Lexus Comprehensive Warranty. This warranty is in effect for 48 months or 50,000 miles, whichever occurs first, from the vehicle's in-service date.
- Warranty application is limited to correction of a problem based upon a customer's specific complaint.

## B-Pillar Lower Garnish Wear

---

### Parts Information

PREVIOUS PART NUMBER	CURRENT PART NUMBER	PART NAME	QTY
62413-50080-A0	62413-50100-A0	Garnish Center Pillar, Lower RH	1
62413-50080-A1	62413-50100-A1		
62413-50080-B0	62413-50100-B0		
62413-50080-C0	62413-50100-C0		
62414-50090-A0	62414-50110-A0	Garnish Center Pillar, Lower LH	
62414-50090-A1	62414-50110-A1		
62414-50090-B0	62414-50110-B0		
62414-50090-C0	62414-50110-C0		

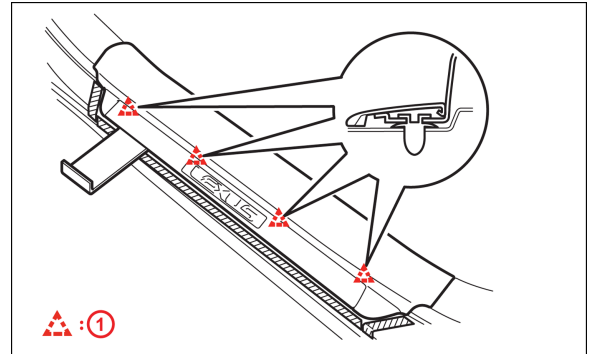
## B-Pillar Lower Garnish Wear

### Repair Procedure

Remove the front door scuff plate LH.

1. Put protective tape around the front door scuff plate.
2. Using a molding remover, detach the 4 clips.

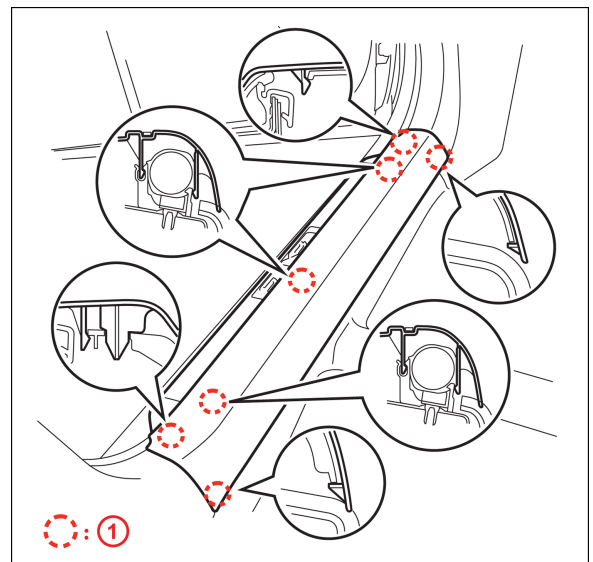
Figure 1.



<b>1</b>	<b>Clip</b>
----------	-------------

3. Detach the 7 claws and remove the front door scuff plate LH.

Figure 2.



<b>1</b>	<b>Claw</b>
----------	-------------

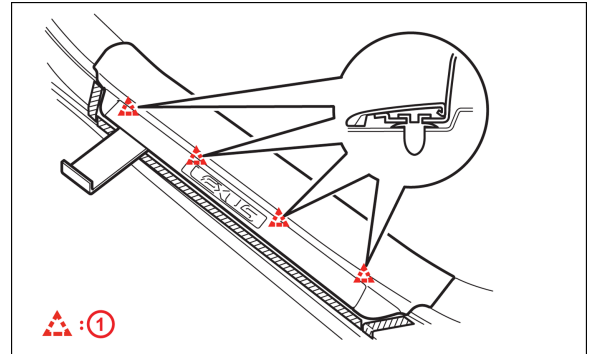
## B-Pillar Lower Garnish Wear

### Repair Procedure (Continued)

Remove rear door scuff plate LH.

1. Put protective tape around the rear door scuff plate.
2. Using a molding remover, detach the 4 clips.

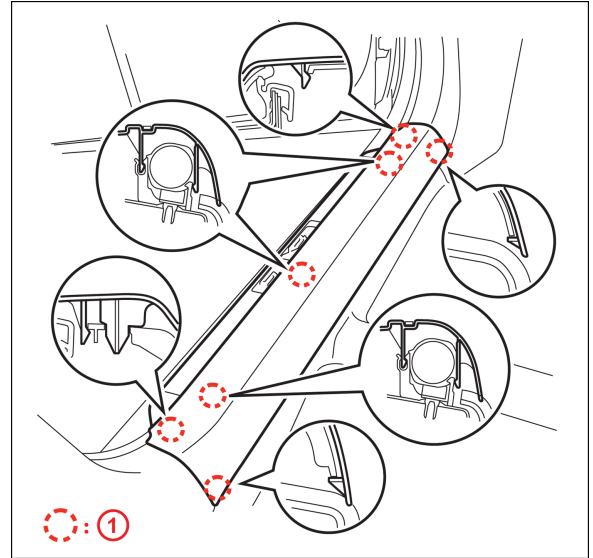
Figure 3.



1	Clip
---	------

3. Detach the 7 claws and remove the rear door scuff plate.

Figure 4.



1	Claw
---	------

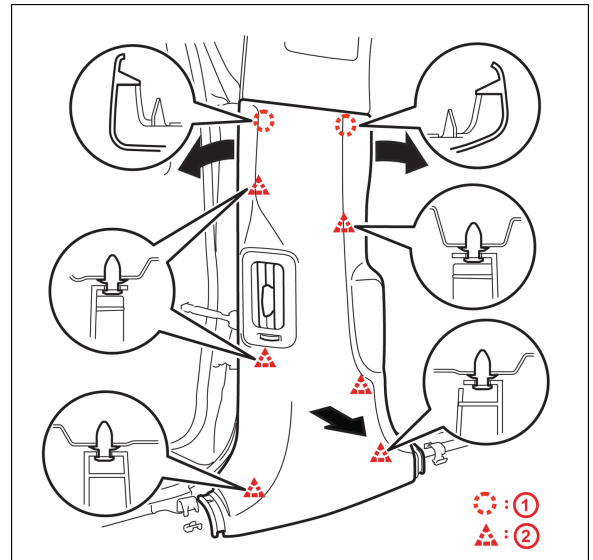
## B-Pillar Lower Garnish Wear

### Repair Procedure (Continued)

Remove lower center pillar garnish LH.

1. Detach the 2 claws and 6 clips, and remove the center pillar garnish lower.

Figure 5.



1	Claw
2	Clip

2. Replace the center pillar garnish lower LH with the NEW part.

**NOTE**

Repeat the procedure on the RH side.

Reassembly is reverse of disassembly.