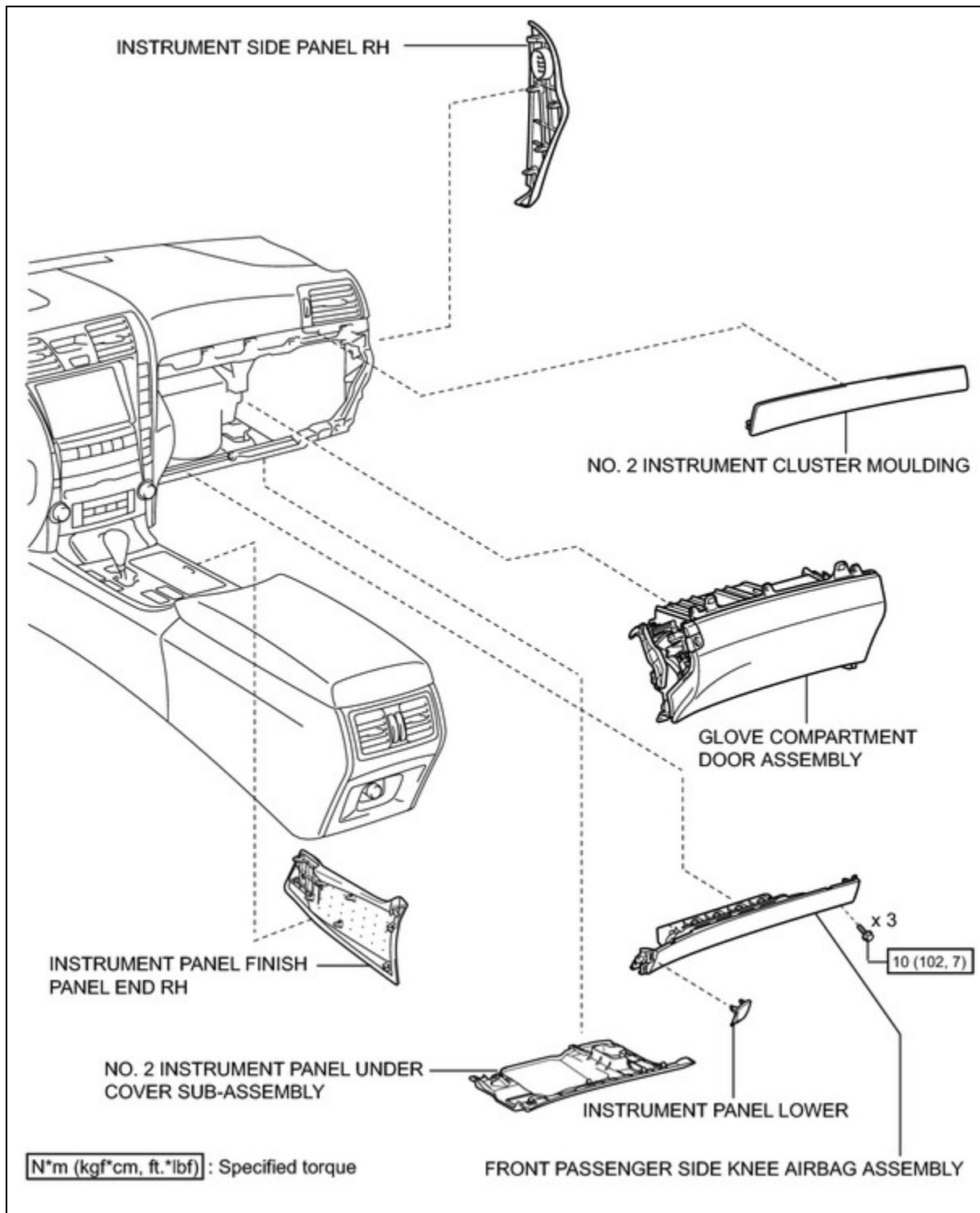


<b>Last Modified:</b> 7-25-2017	6.8:8.0.51	<b>Doc ID:</b> RM000002U64000X
<b>Model Year Start:</b> 2007	<b>Model:</b> LS460	<b>Prod Date Range:</b> [09/2006 - ]
<b>Title:</b> AIR CONDITIONING: AIR CONDITIONING AMPLIFIER: COMPONENTS; 2007 MY LS460 [09/2006 - ]		

## COMPONENTS

# ILLUSTRATION



# ILLUSTRATION

