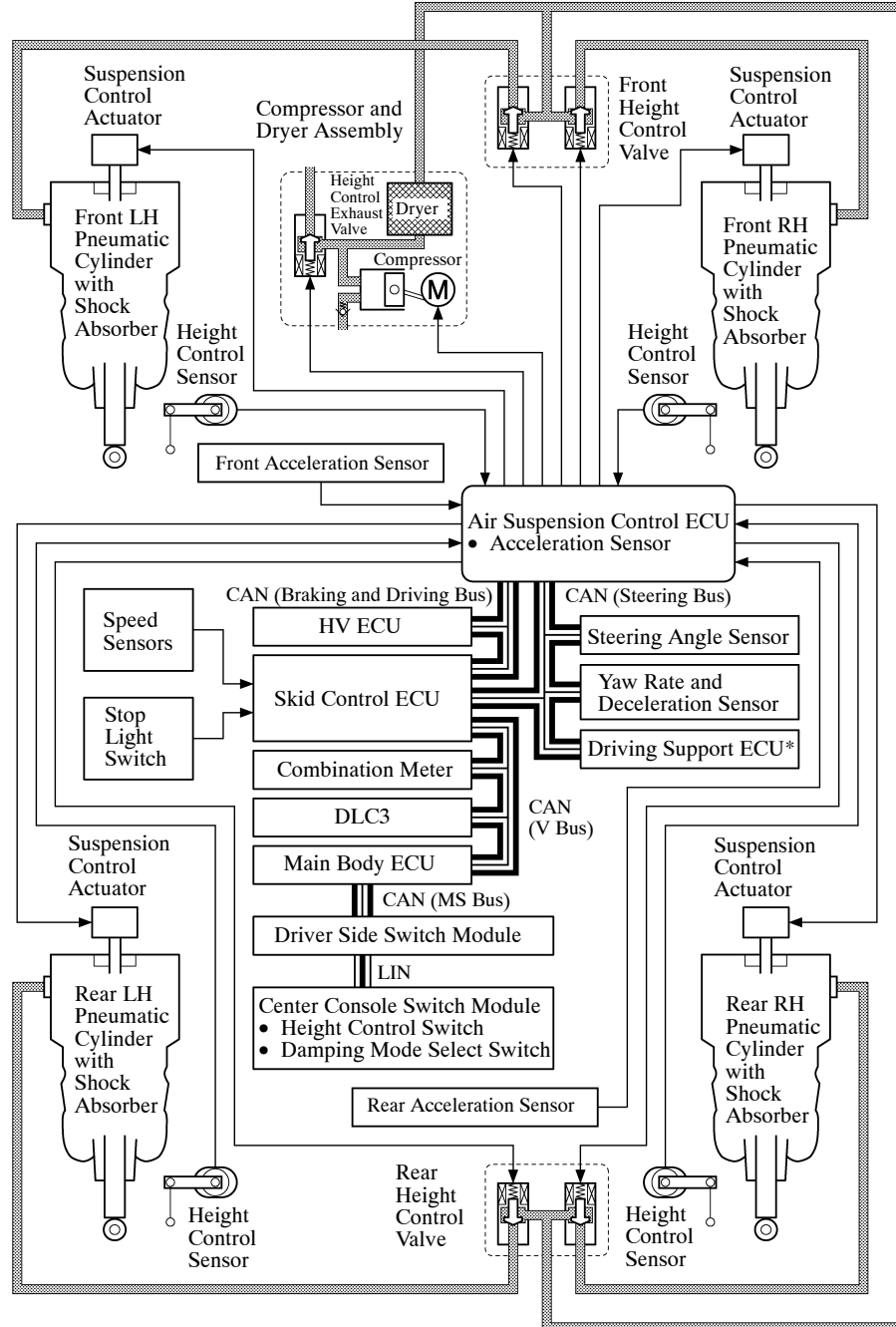
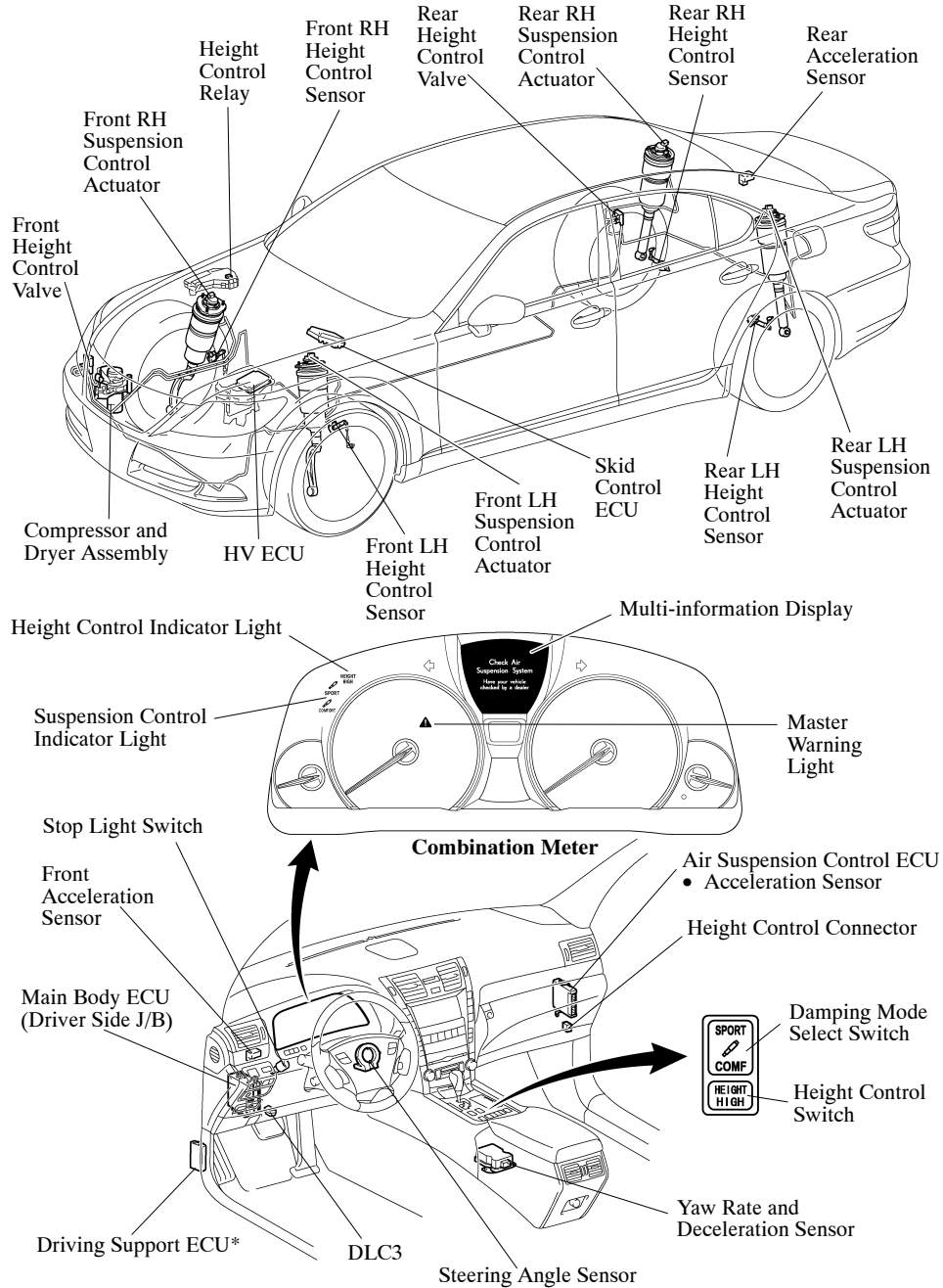


2. System Diagram



\*: Models with pre-collision system

4. Layout of Main Components



\*: Models with pre-collision system