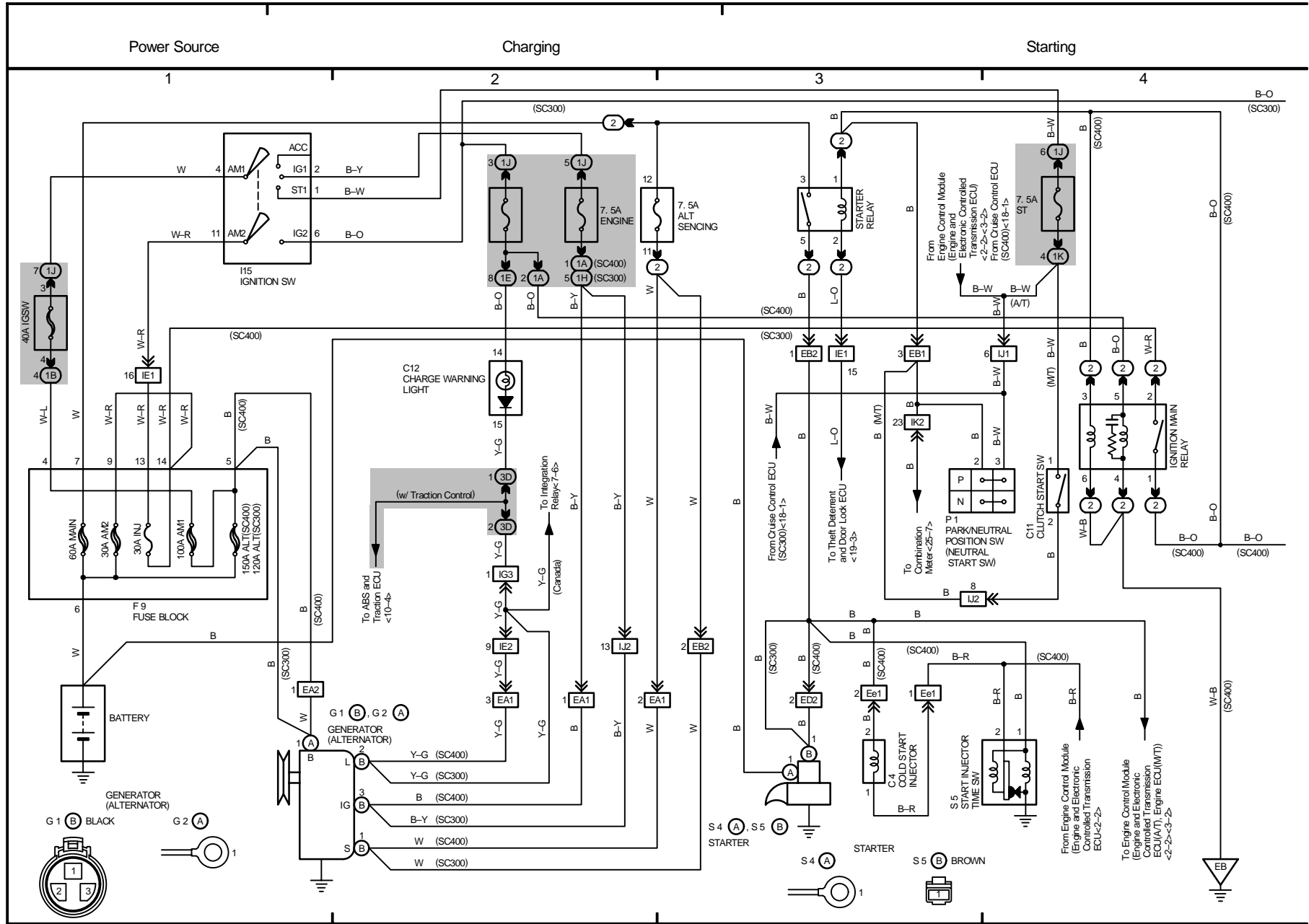


# 1 LEXUS SC400/SC300 ELECTRICAL WIRING DIAGRAM

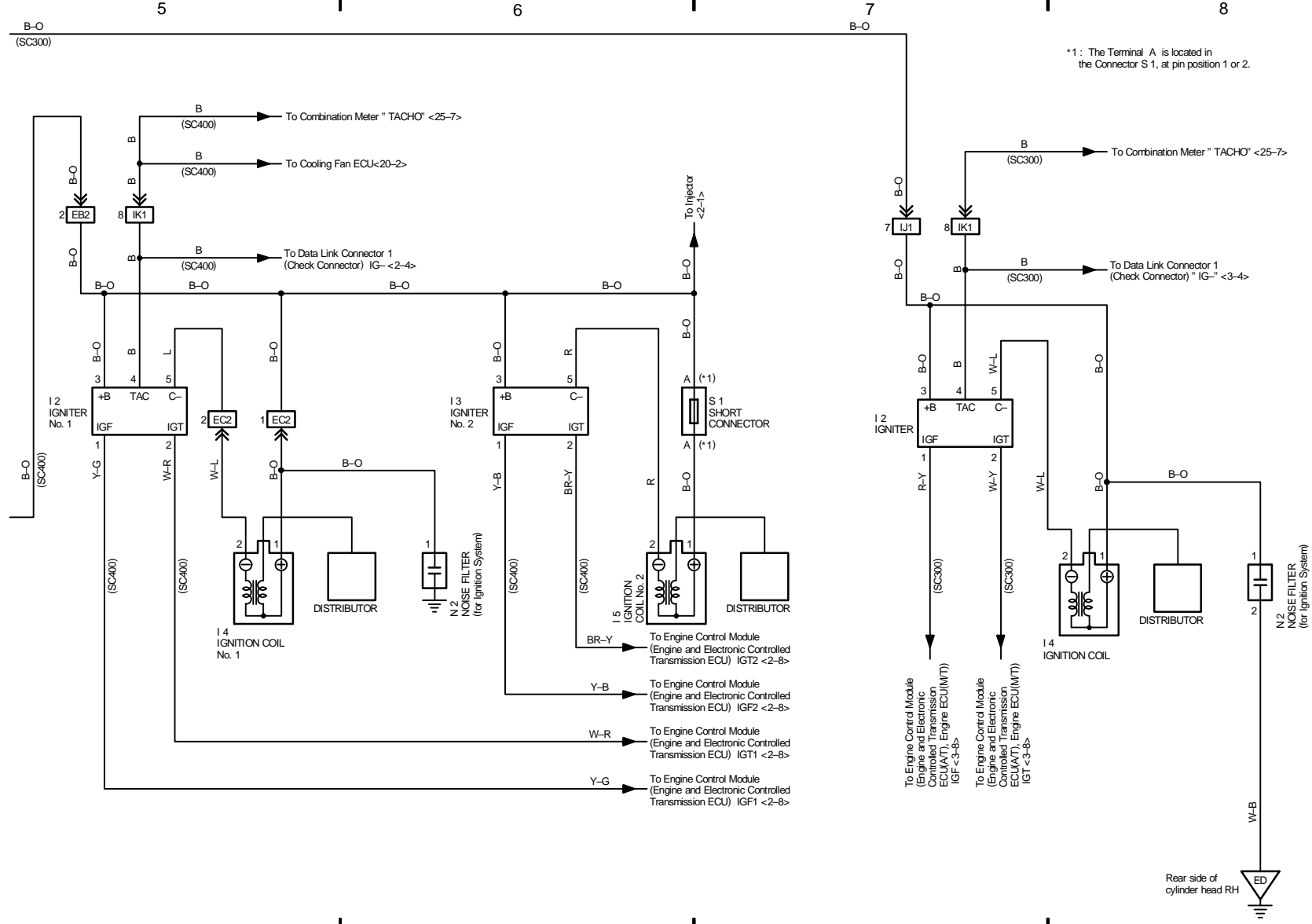
(Cont. next page)



# 1 LEXUS SC400/SC300(Cont' d)

## Ignition(SC400)

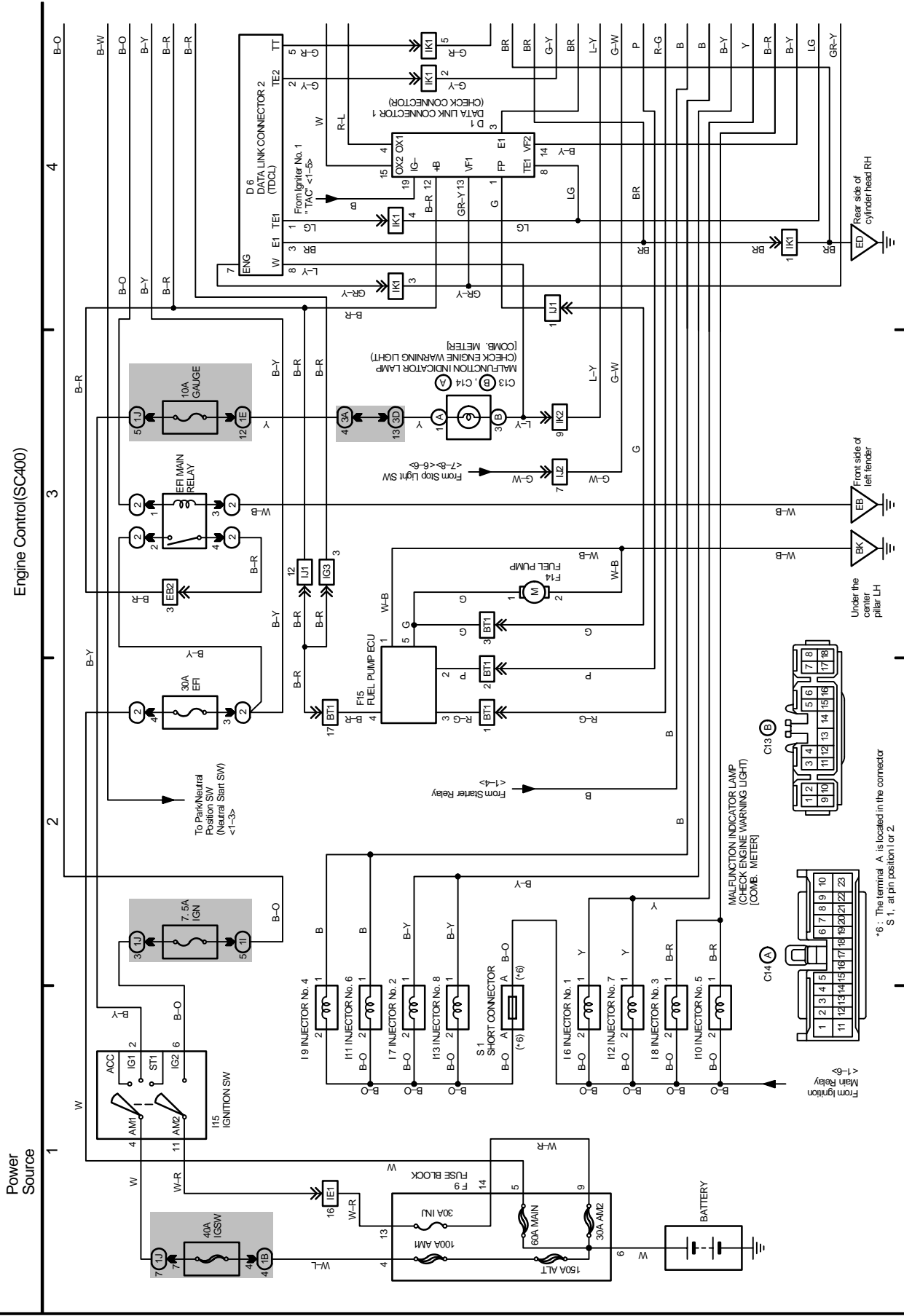
## Ignition(SC300)



# OVERALL ELECTRICAL WIRING DIAGRAM

2 LEXUS SC400/SC300

(Cont. next page)

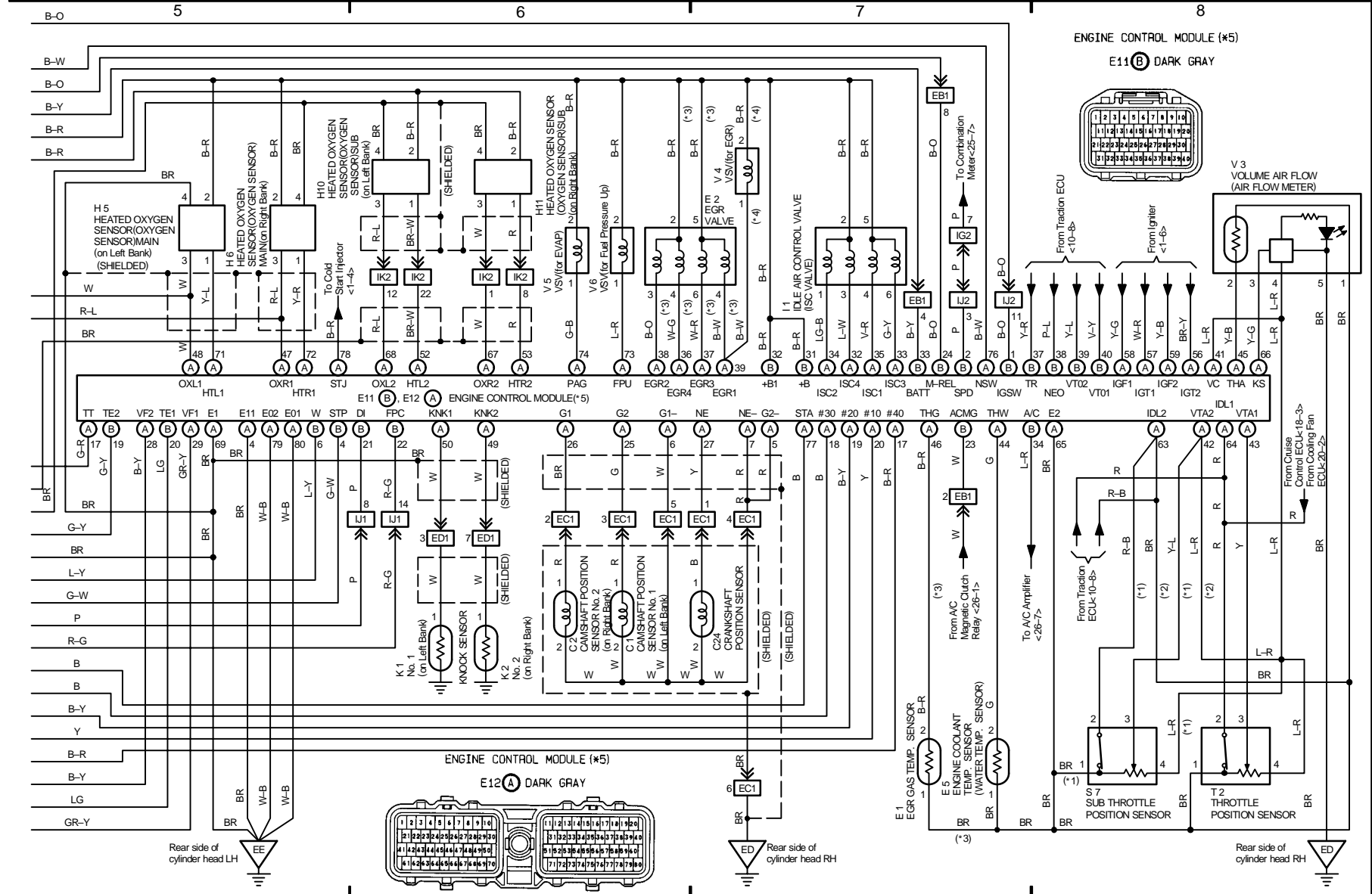


\*6: The terminal A is located in the connector S 1, at pin position 1 or 2.

# 2 LEXUS SC400/SC300(Cont' d)

## Engine Control(SC400)

- \*1 : w/ Traction Control
- \*2 : w/o Traction Control
- \*3 : USA Spec.
- \*4 : Ex. USA Spec.
- \*5 : Engine and Electronic Controlled Transmission ECU



# OVERALL ELECTRICAL WIRING DIAGRAM

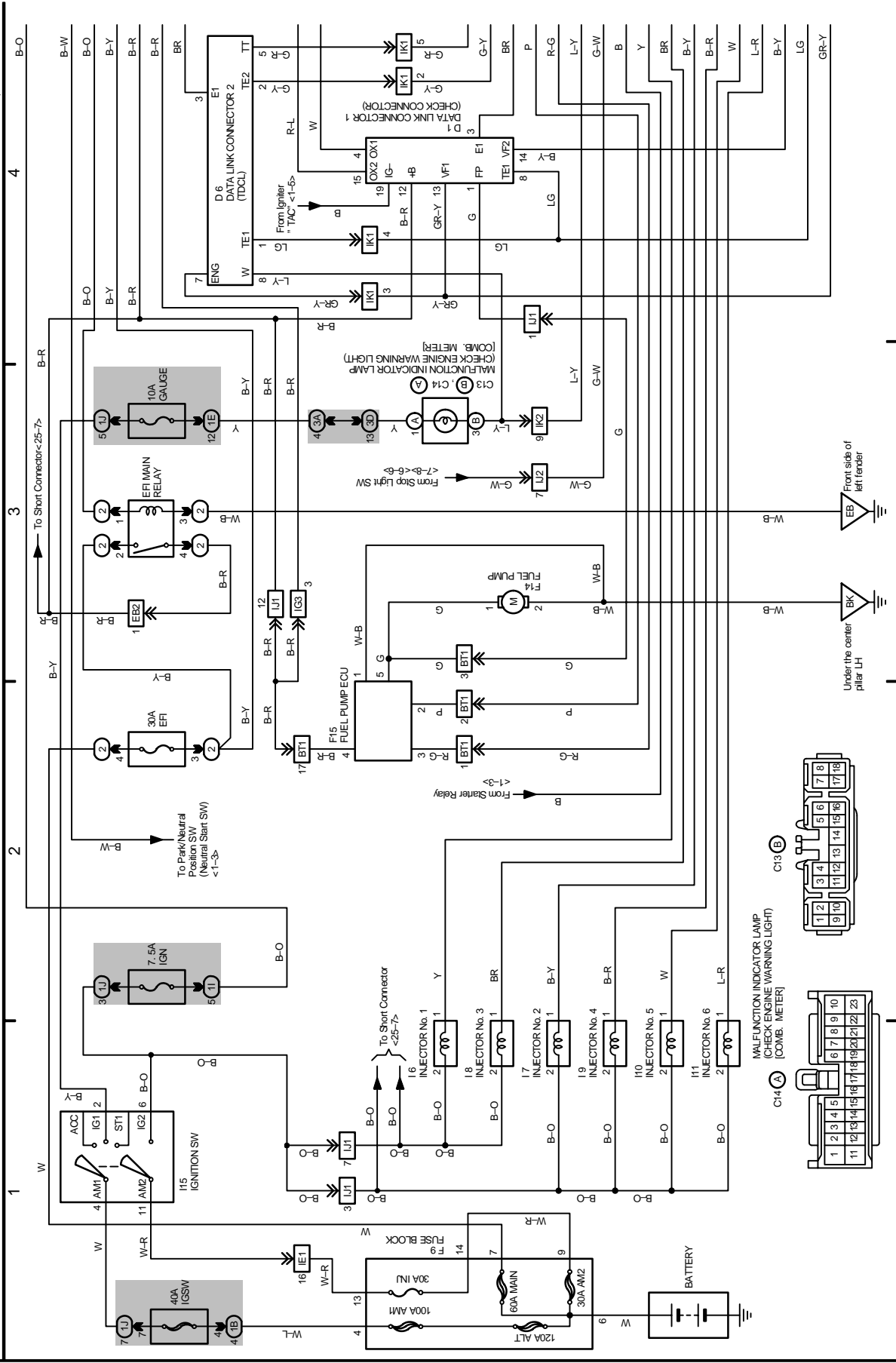
3 LEXUS SC400/SC300

(Cont. next page)

- \*1: w/ Traction Control
- \*2: w/o Traction Control
- \*3: USA Spec.
- \*4: Ex. USA Spec.

Power Source

Engine Control(SC300)



1

2

3

4

5

6

7

8

9

10

11

12

13

14

15

16

17

18

19

20

21

22

23

24

25

26

27

28

29

30

31

32

33

34

35

36

37

38

39

40

41

42

43

44

45

46

47

48

49

50

51

52

53

54

55

56

57

58

59

60

61

62

63

64

65

66

67

68

69

70

71

72

73

74

75

76

77

78

79

80

81

82

83

84

85

86

87

88

89

90

91

92

93

94

95

96

97

98

99

100

101

102

103

104

105

106

107

108

109

110

111

112

113

114

115

116

117

118

119

120

121

122

123

124

125

126

127

128

129

130

131

132

133

134

135

136

137

138

139

140

141

142

143

144

145

146

147

148

149

150

151

152

153

154

155

156

157

158

159

160

161

162

163

164

165

166

167

168

169

170

171

172

173

174

175

176

177

178

179

180

181

182

183

184

185

186

187

188

189

190

191

192

193

194

195

196

197

198

199

200

201

202

203

204

205

206

207

208

209

210

211

212

213

214

215

216

217

218

219

220

221

222

223

224

225

226

227

228

229

230

231

232

233

234

235

236

237

238

239

240

241

242

243

244

245

246

247

248

249

250

251

252

253

254

255

256

257

258

259

260

261

262

263

264

265

266

267

268

269

270

271

272

273

274

275

276

277

278

279

280

281

282

283

284

285

286

287

288

289

290

291

292

293

294

295

296

297

298

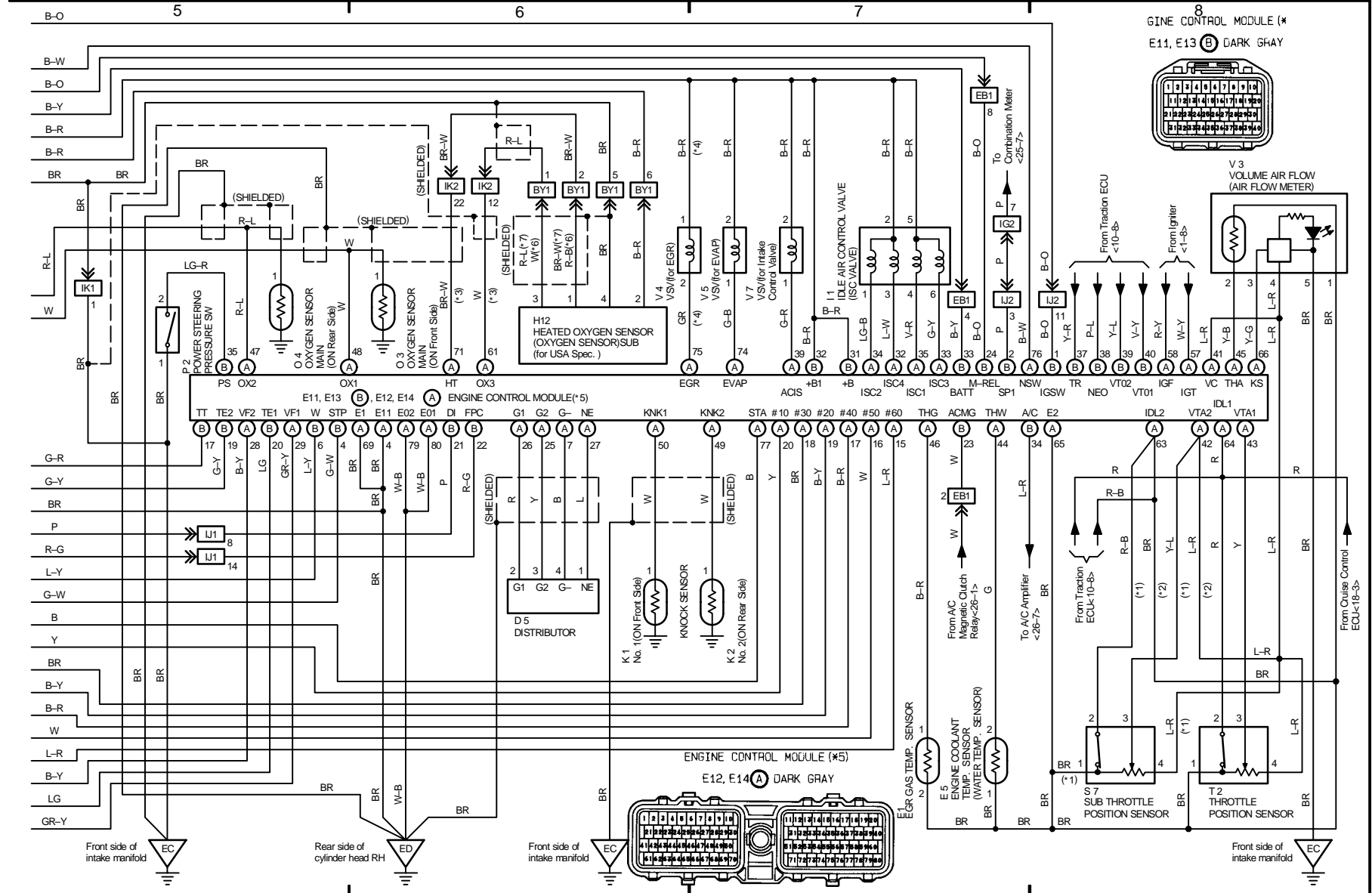
299

300

### 3 LEXUS SC400/SC300(Cont' d)

#### Engine Control(SC300)

- \*1 : w/ Traction Control
- \*2 : w/o Traction Control
- \*3 : USA Spec.
- \*4 : Ex. USA Spec.
- \*5 : Engine and Electronic Controlled Transmission ECU(AT), Engine ECU(MT)
- \*6 : w/o CD Player
- \*7 : w/ CD Player

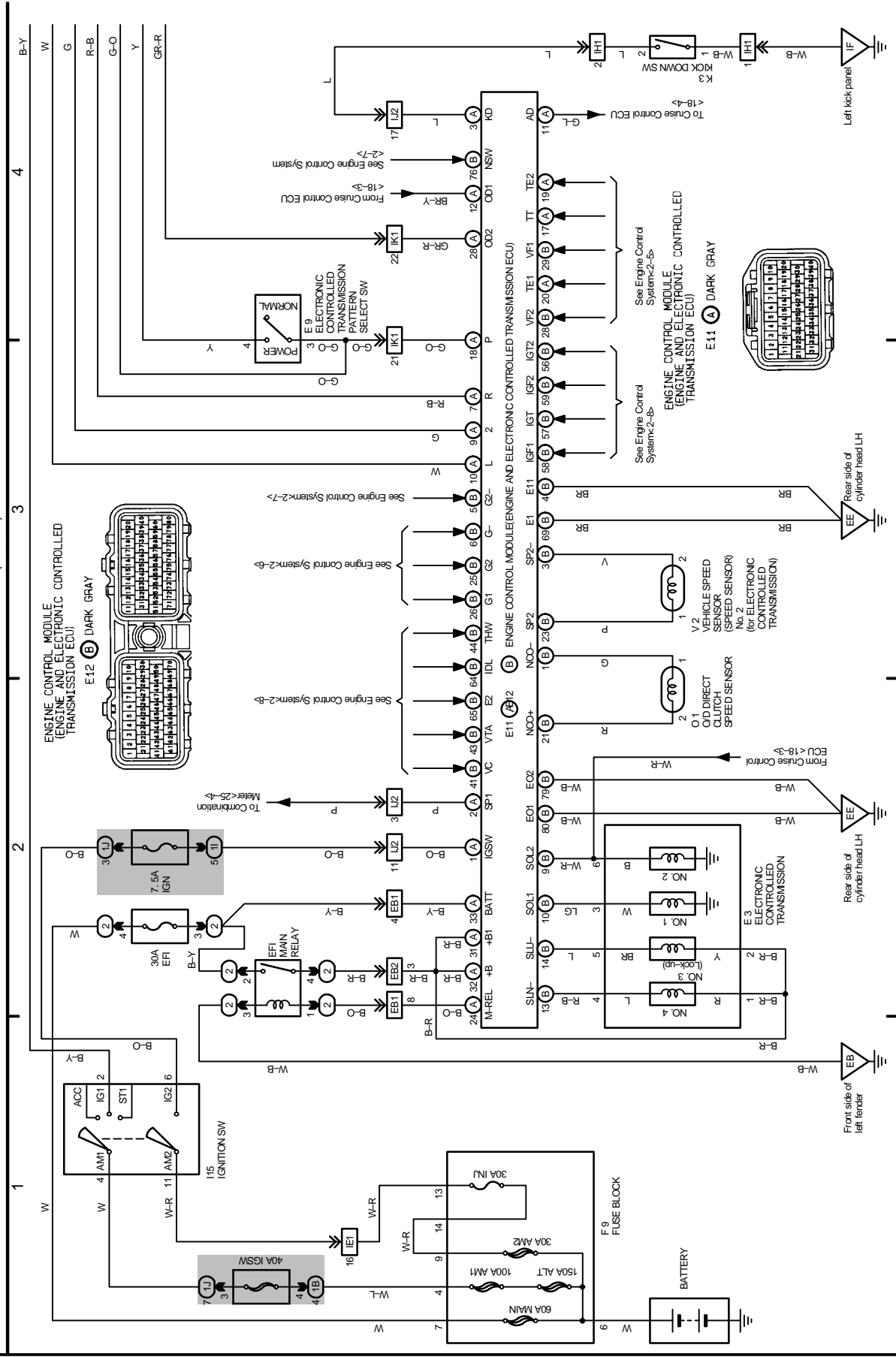


# OVERALL ELECTRICAL WIRING DIAGRAM

4 LEXUS SC400/SC300

(Cont. next page)

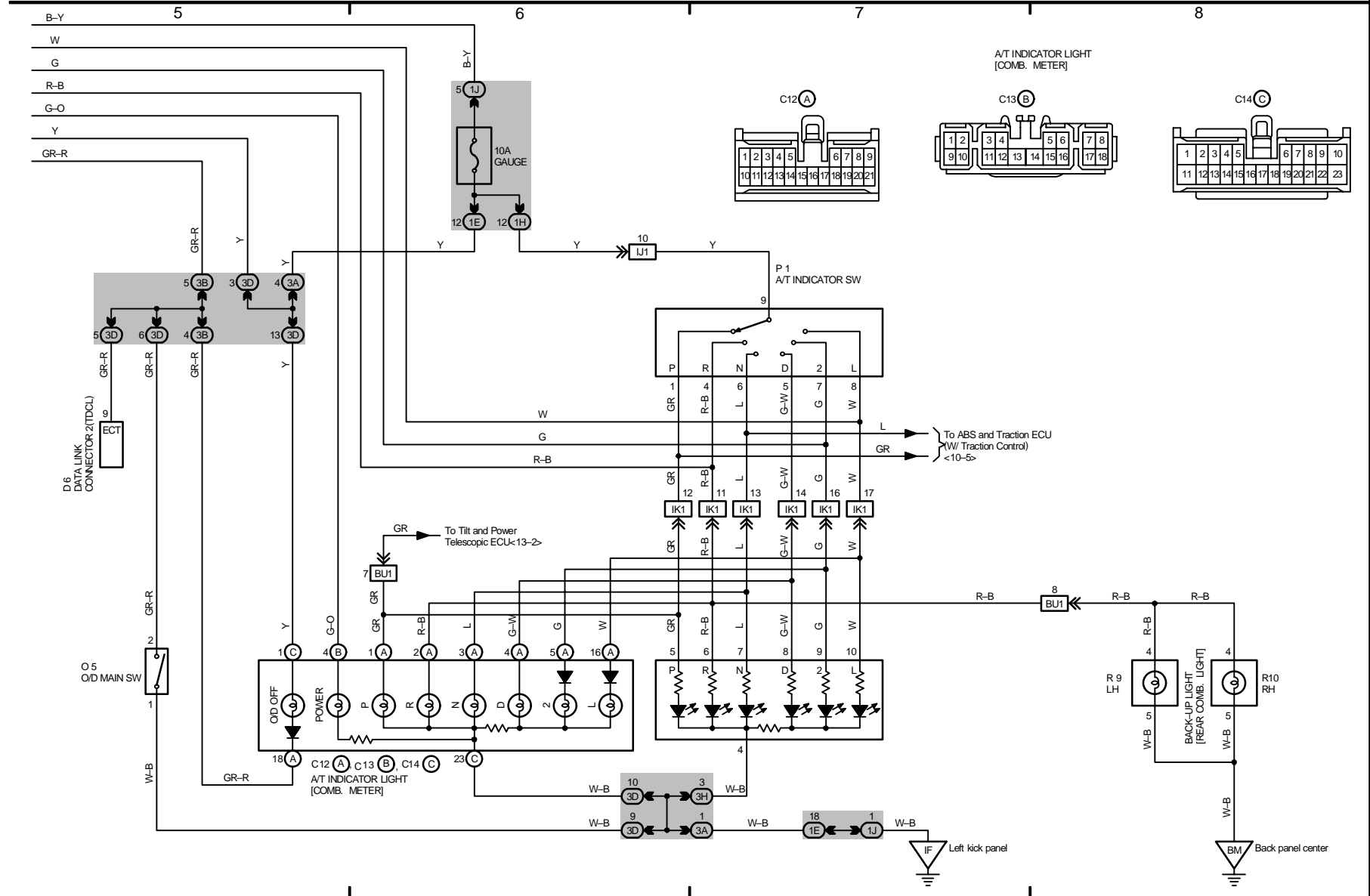
## Electronic Controlled Transmission and A/T Indicator (SC400)



4 LEXUS SC400/SC300(Cont' d)

Electronic Controlled Transmission and A/T Indicator(SC400)

Back-Up Light(SC400)



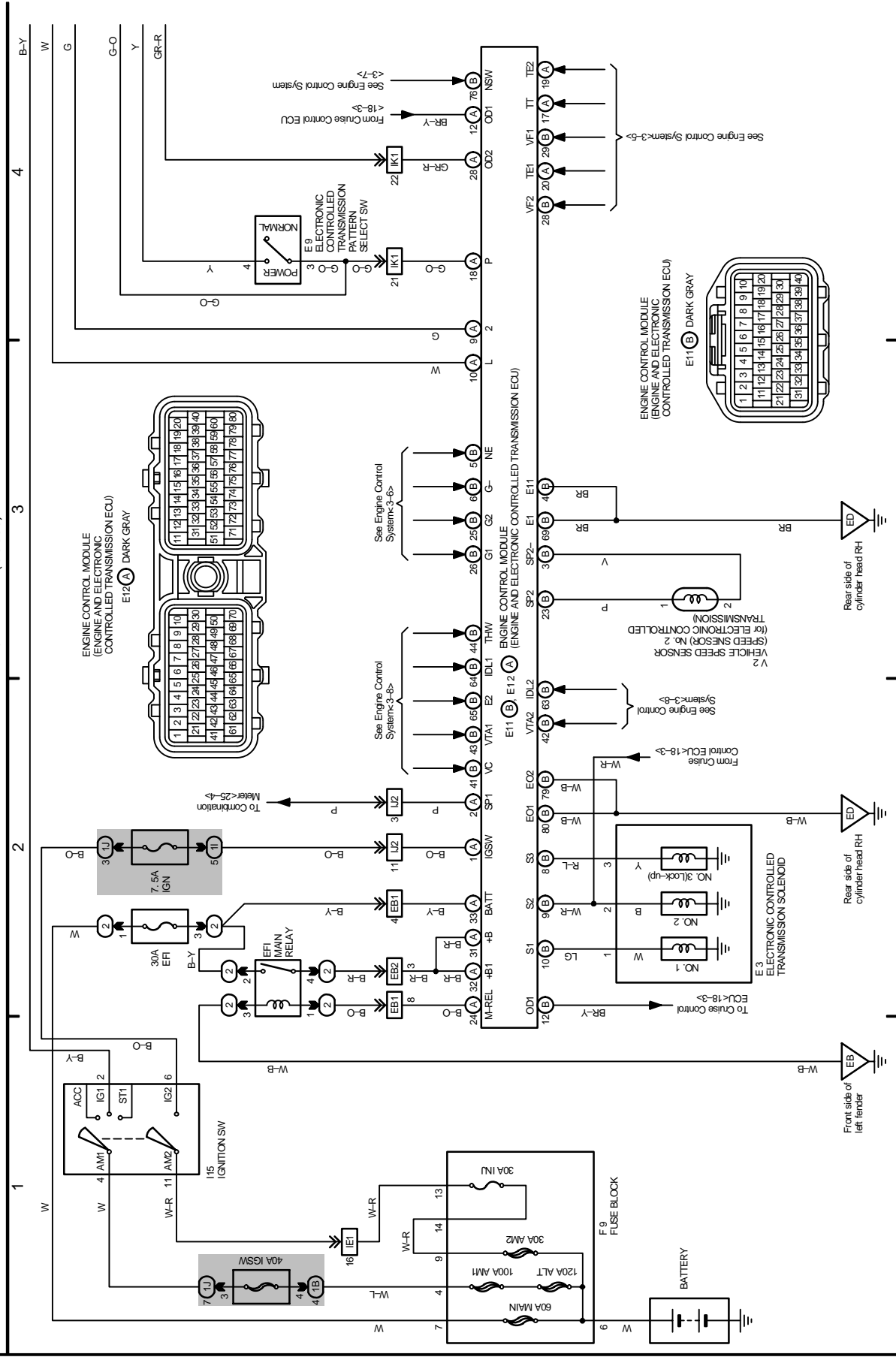


# OVERALL ELECTRICAL WIRING DIAGRAM

5 LEXUS SC400/SC300

(Cont. next page)

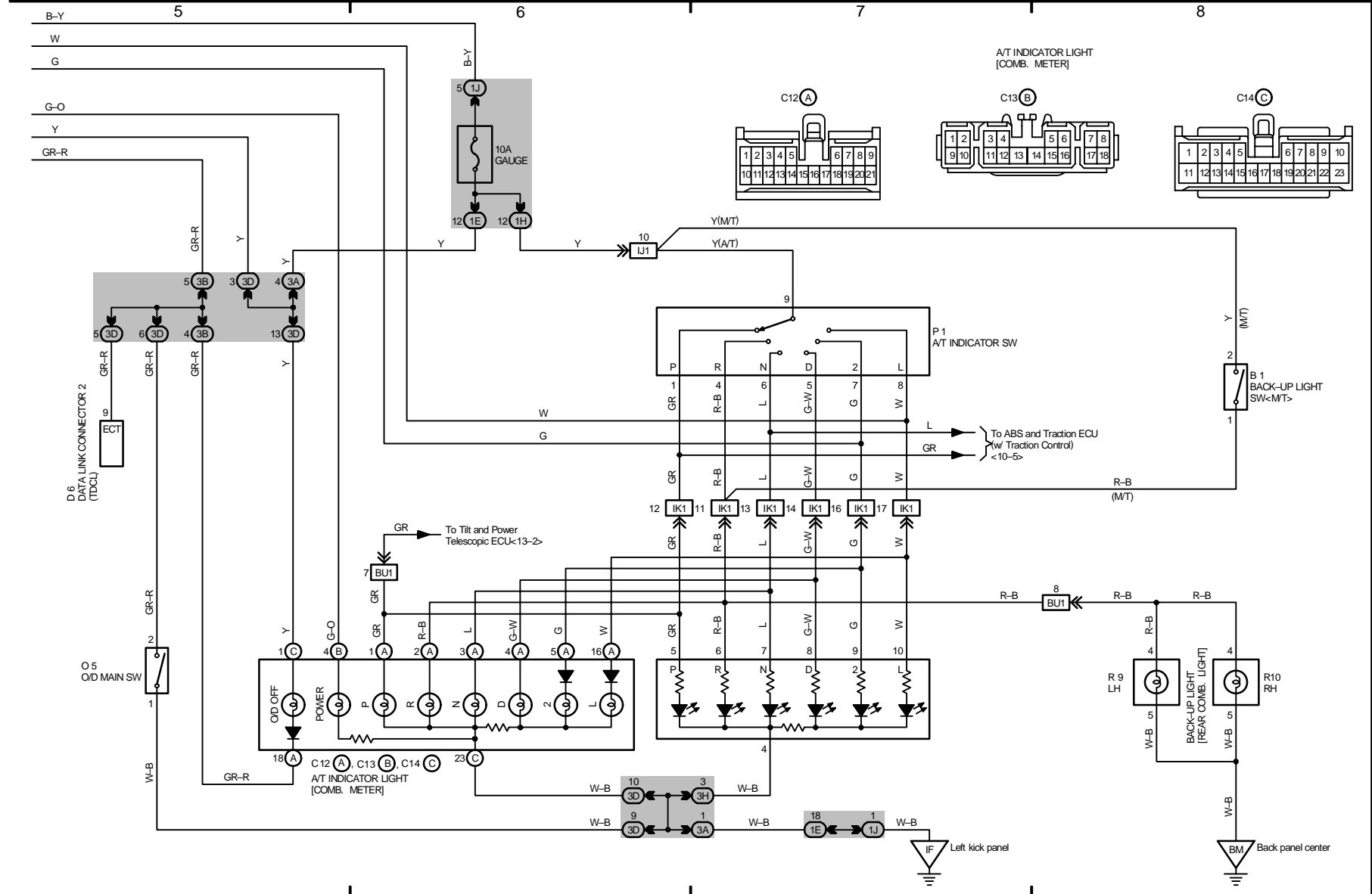
## Electronic Controlled Transmission and A/T Indicator (SC300)



# 5 LEXUS SC400/SC300(Cont' d)

## Electronic Controlled Transmission and A/T Indicator(SC300)

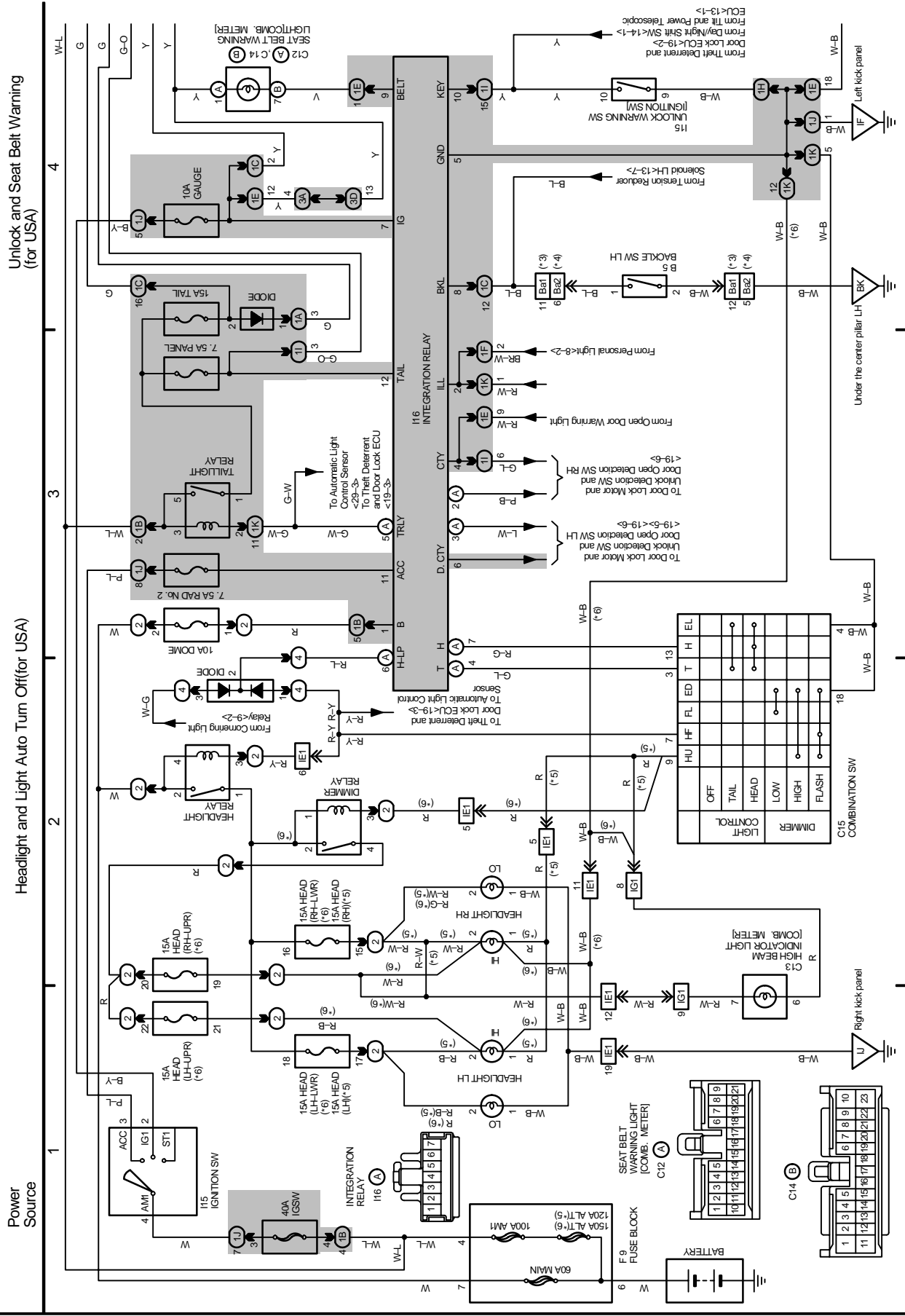
## Back-Up Light (SC300)



# OVERALL ELECTRICAL WIRING DIAGRAM

6 LEXUS SC400/SC300

(Cont. next page)



Unlock and Seat Belt Warning (for USA)

Headlight and Light Auto Turn Off (for USA)

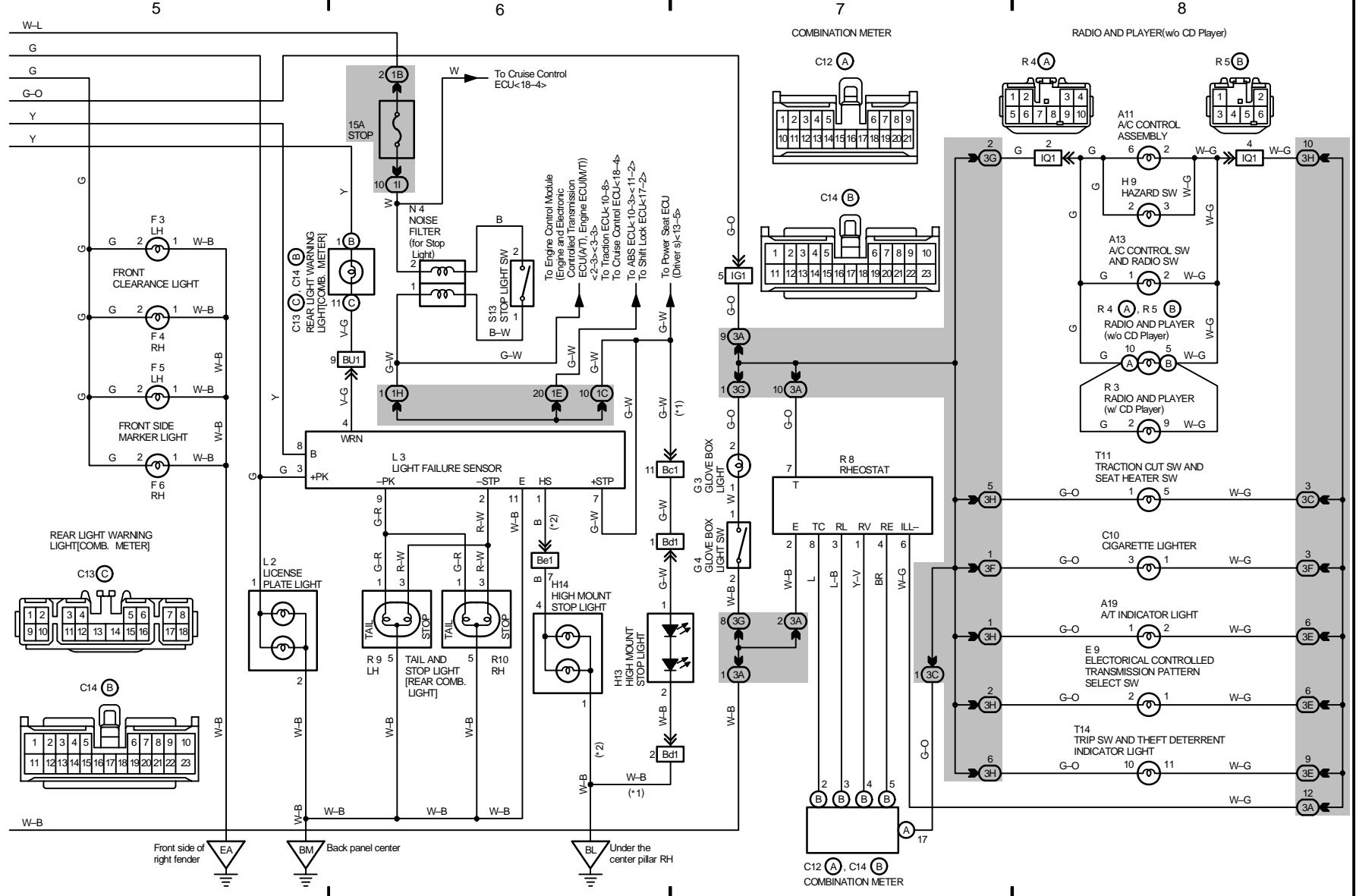
Power Source

# 6 LEXUS SC400/SC300(Cont' d)

## Taillight and Stop Light(for USA)

## Illumination (for USA)

- \*1 : w/ Rear Spoiler
- \*2 : w/o Rear Spoiler
- \*3 : w/ Memory Power Seat
- \*4 : w/o Memory Power Seat
- \*5 : SC300
- \*6 : SC400



# OVERALL ELECTRICAL WIRING DIAGRAM

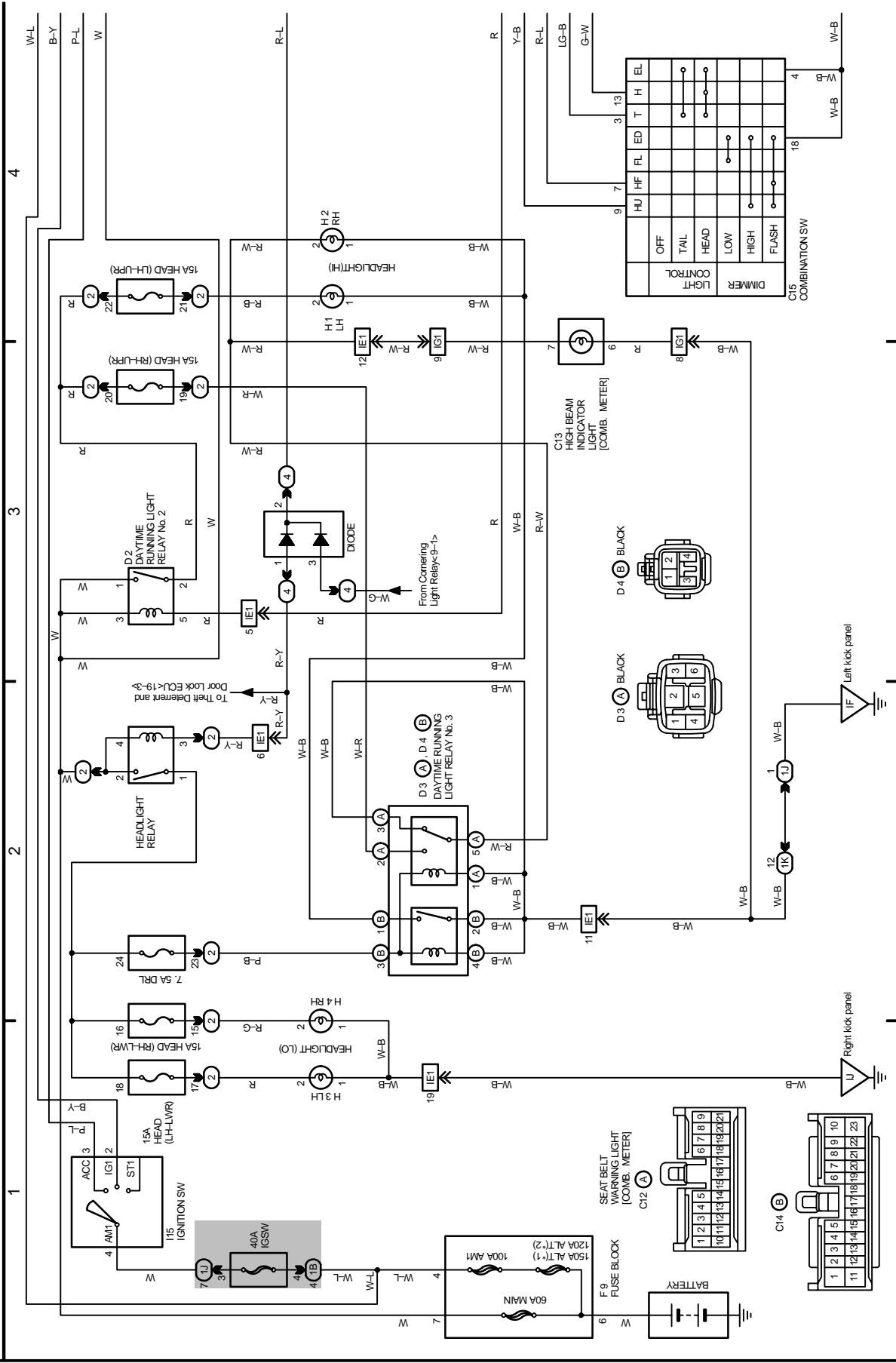
7 LEXUS SC400/SC300

(Cont. next page)

Power Source

## Headlight and Light Auto Turn Off (for Canada)

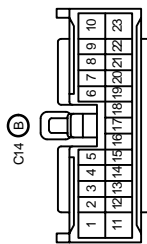
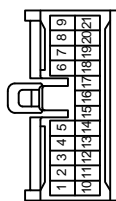
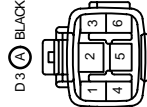
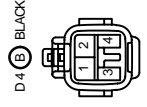
11: SC400  
2: SC300



Left kick panel

Right kick panel

	H	H	T	H	EL
9	HJ	HF	FL	ED	T
7					
3					
13					
	OFF	TAIL	HEAD	LOW	HIGH
					FLASH
	LIGHT CONTROL				
	DIMMER				
	COMBINATION SW				
	18				
	4				
	W-B				

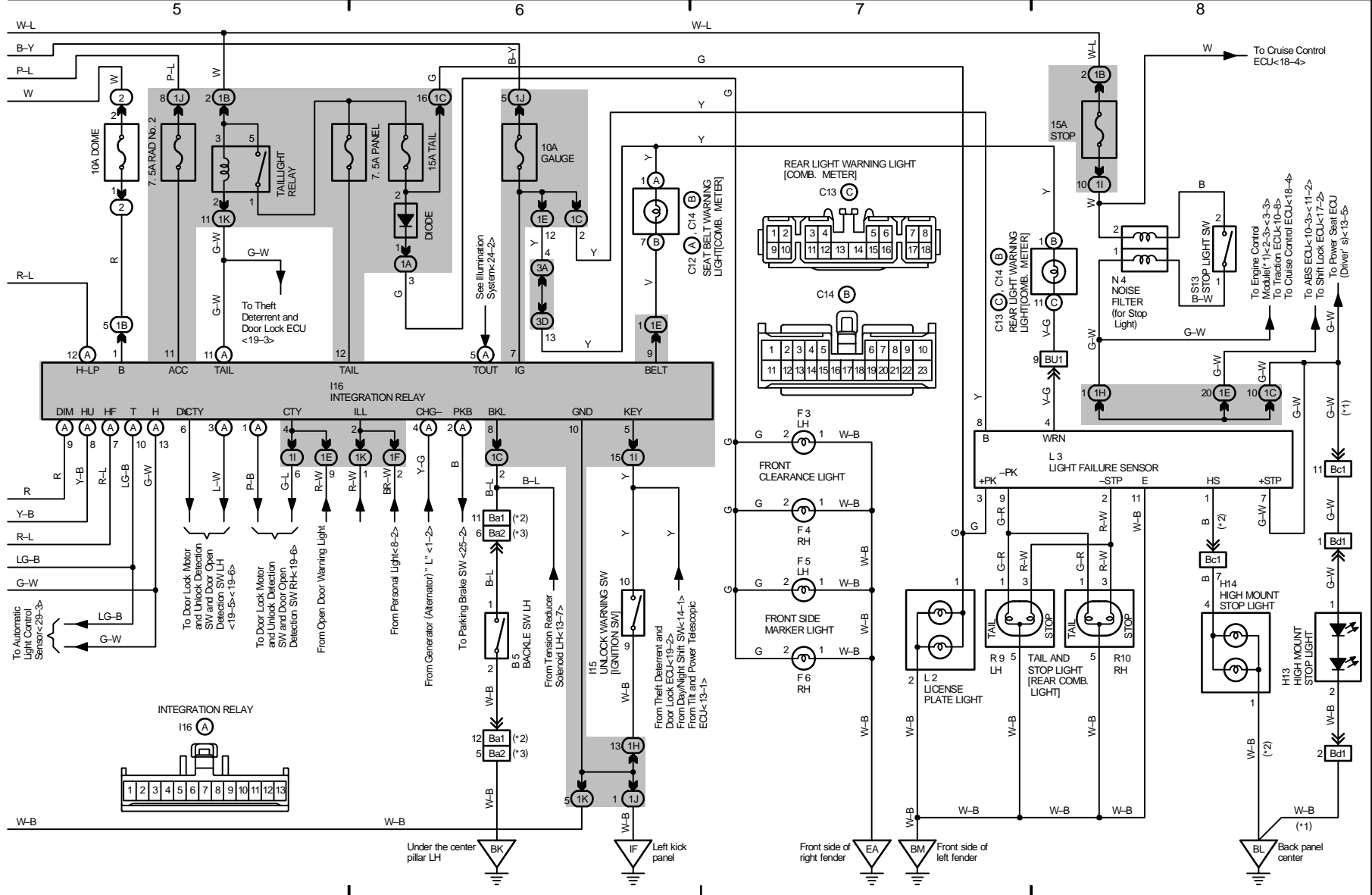


7 LEXUS SC400/SC300(Cont' d)

Unlock and Seat Belt Warning(for Canada)

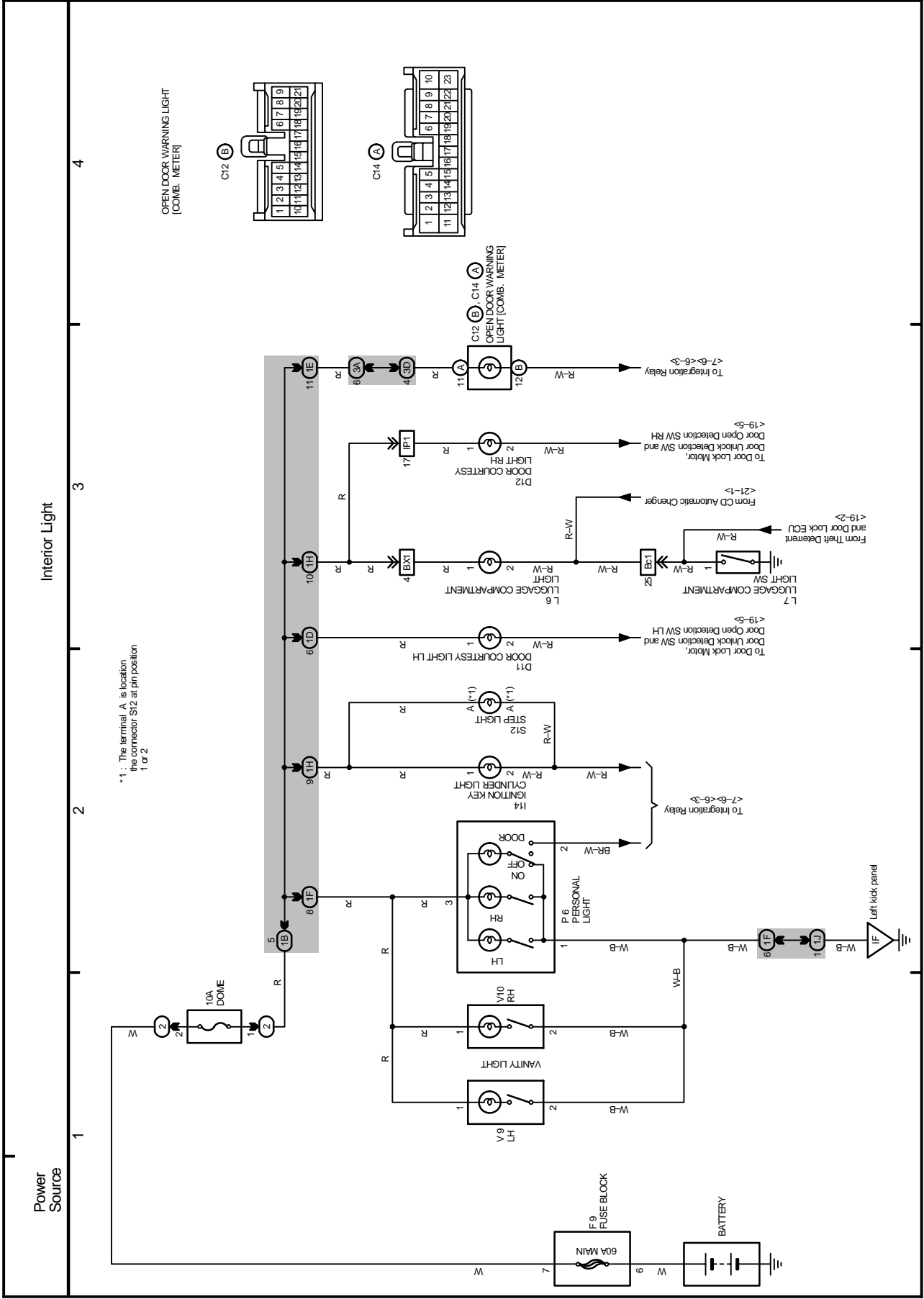
Taillight and Stop Light(for Canada)

\*1 : Engine and Electronic Controlled Transmission ECU(A/T), Engine ECU(M/T)  
 \*2 : w/ Memory Power Seat  
 \*3 : w/o Memory Power Seat

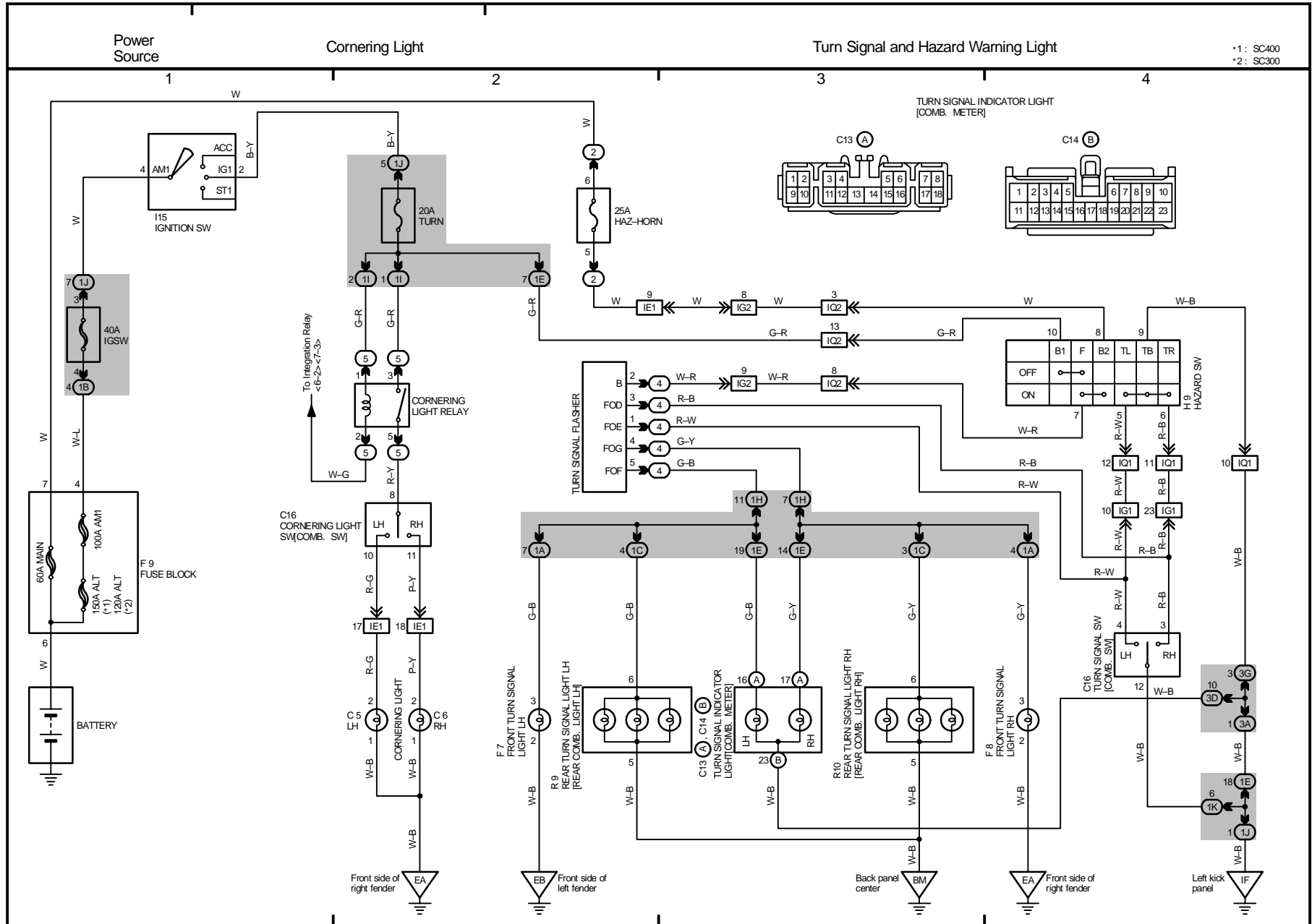


# OVERALL ELECTRICAL WIRING DIAGRAM

## 8 LEXUS SC400/SC300

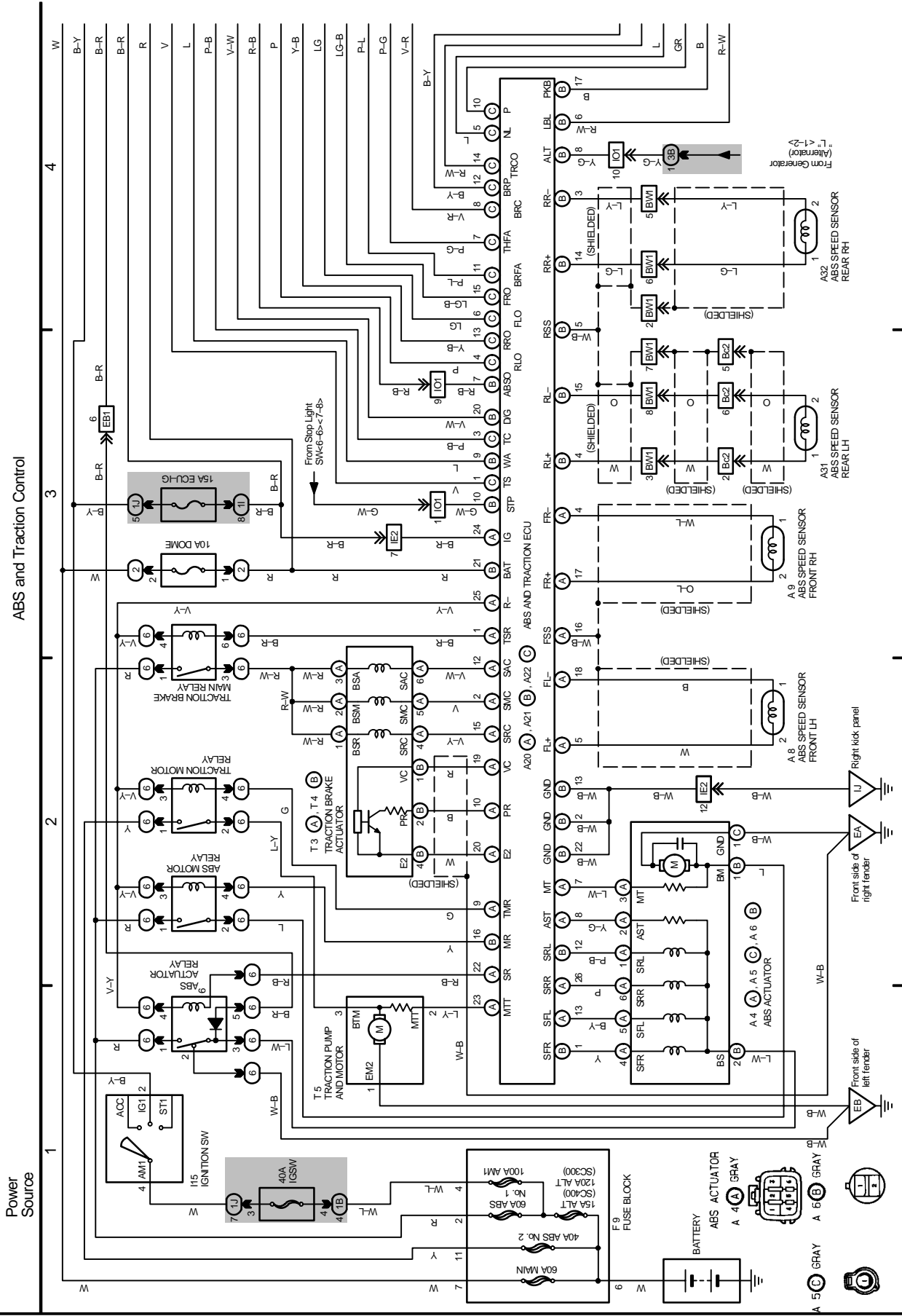


# 9 LEXUS SC400/SC300





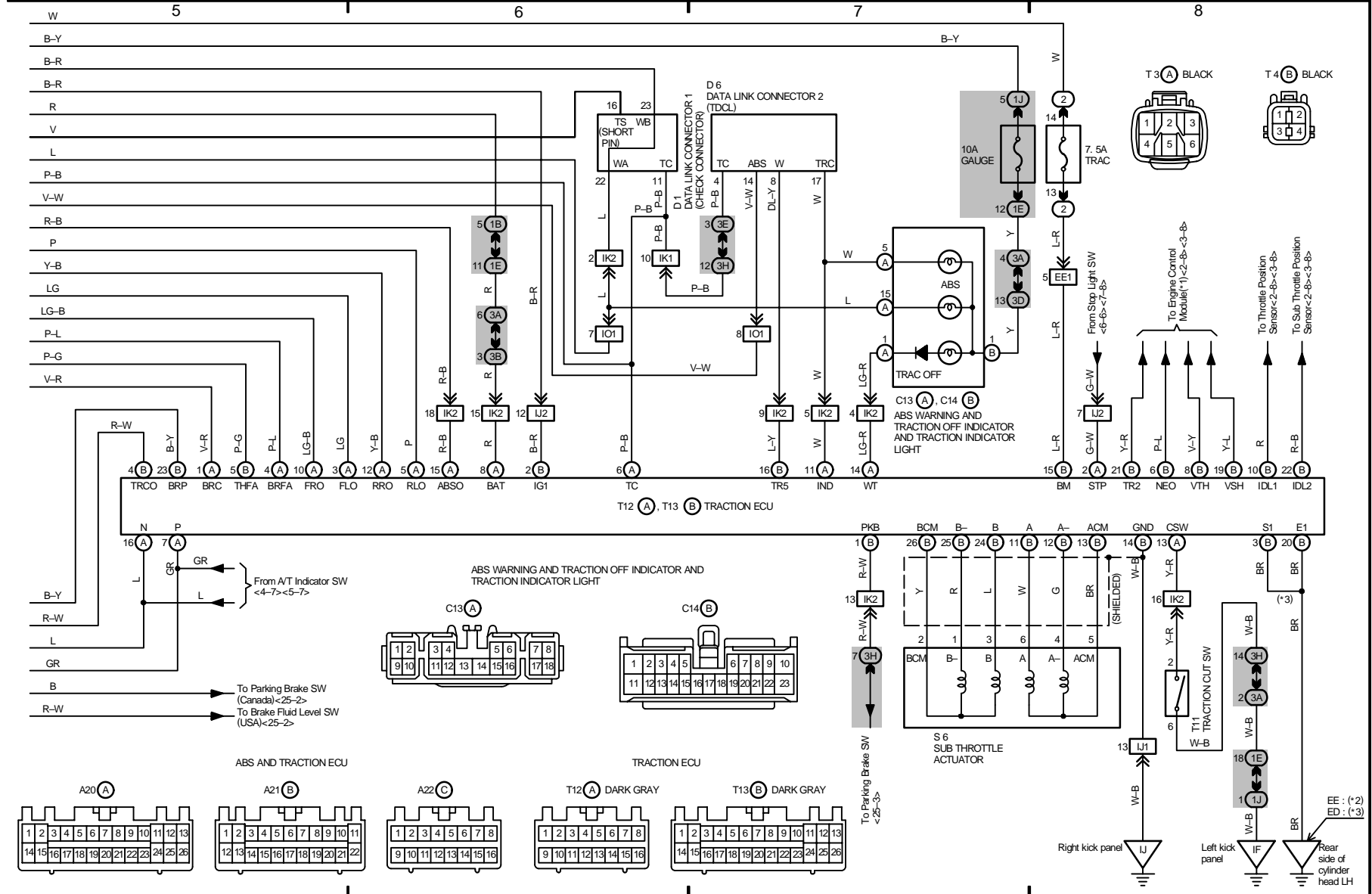
# OVERALL ELECTRICAL WIRING DIAGRAM



# 10 LEXUS SC400/SC300(Corr' d)

## ABS and Traction Control

\*1 : Engine and Electronic Controlled  
Transmission ECU  
\*2 : SC400  
\*3 : SC300

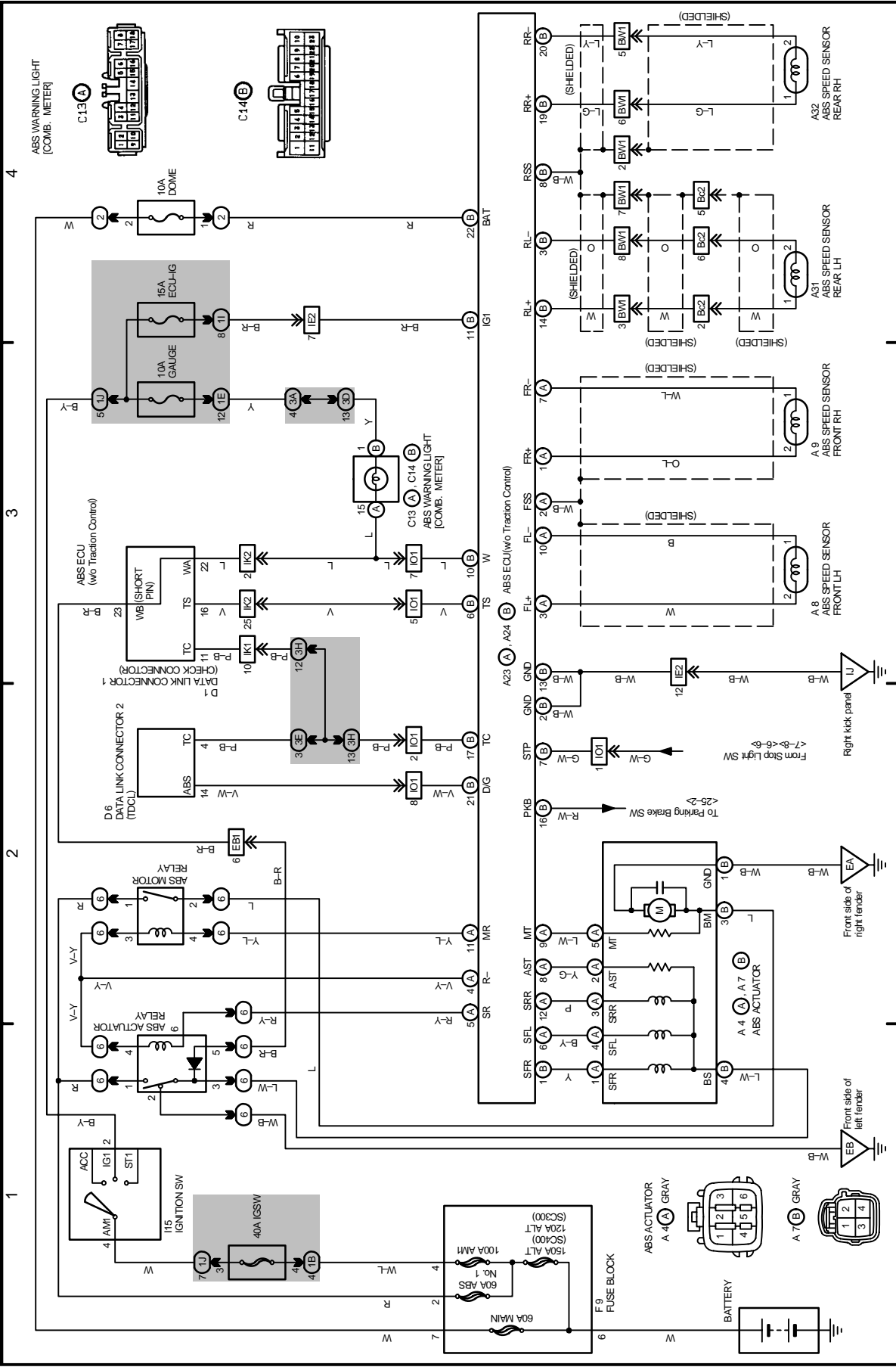


# OVERALL ELECTRICAL WIRING DIAGRAM

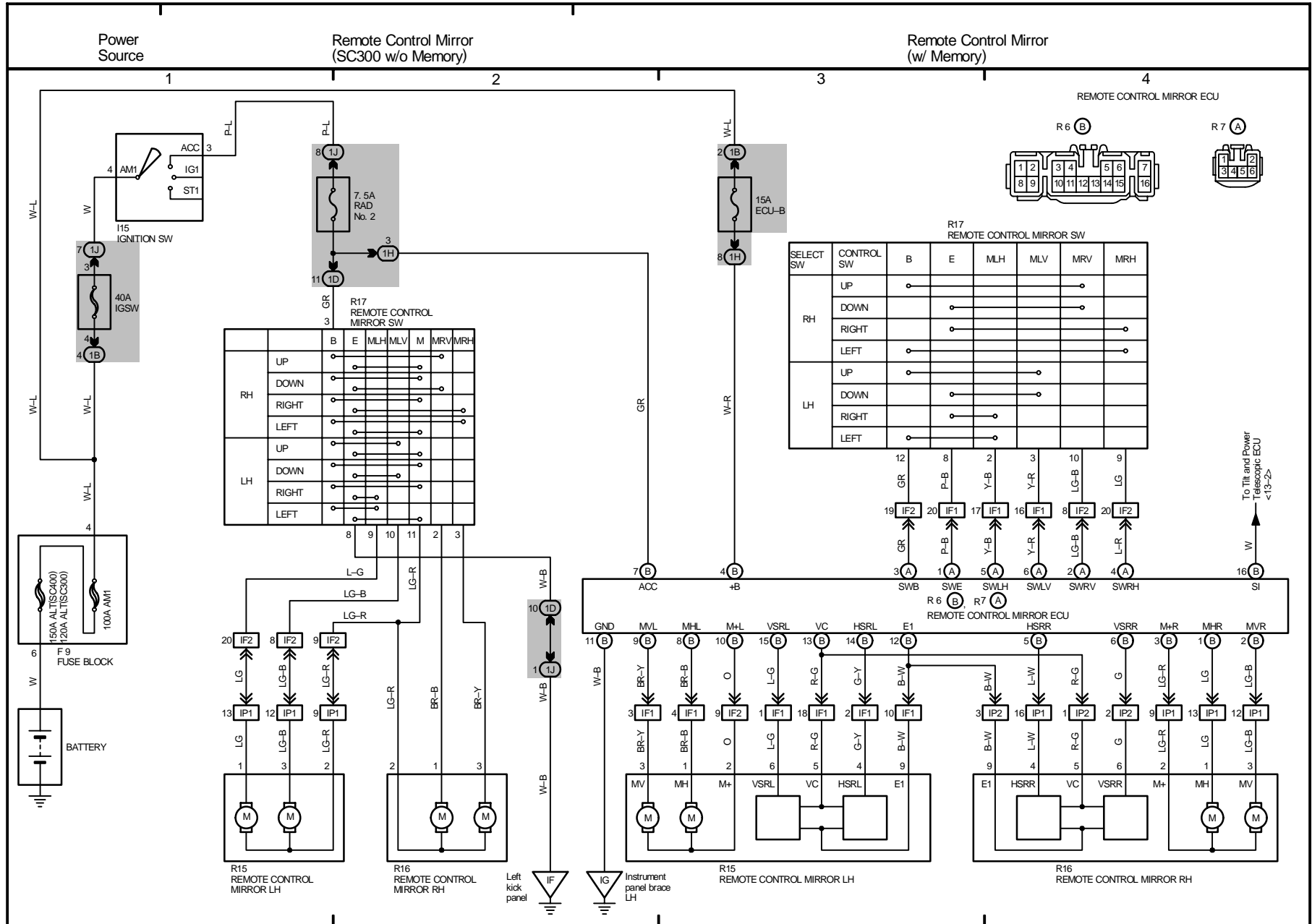
## 11 LEXUS SC400/SC300

### ABS(Anti-Lock Brake System)

Power Source



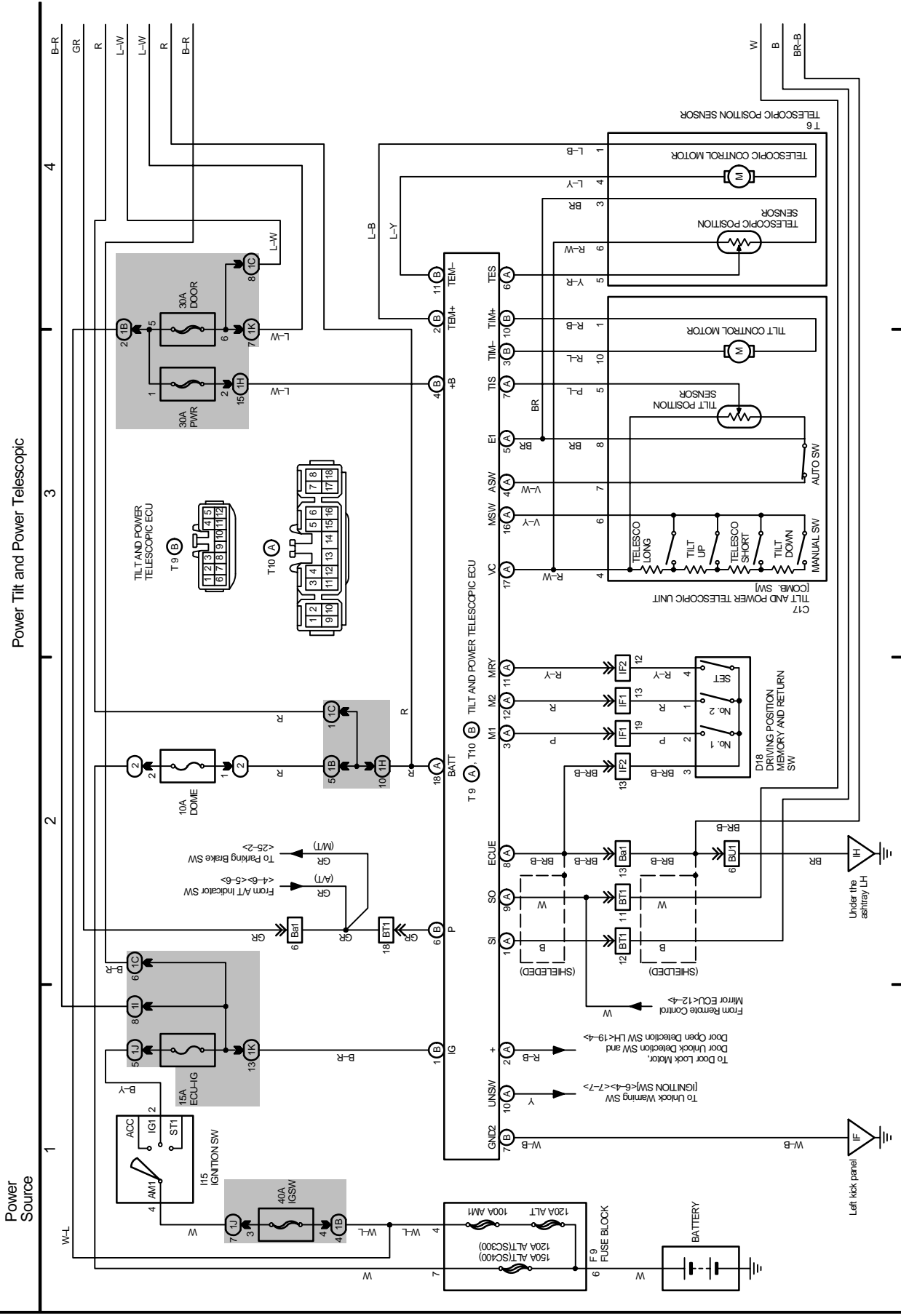
# 12 LEXUS SC400/SC300



# OVERALL ELECTRICAL WIRING DIAGRAM

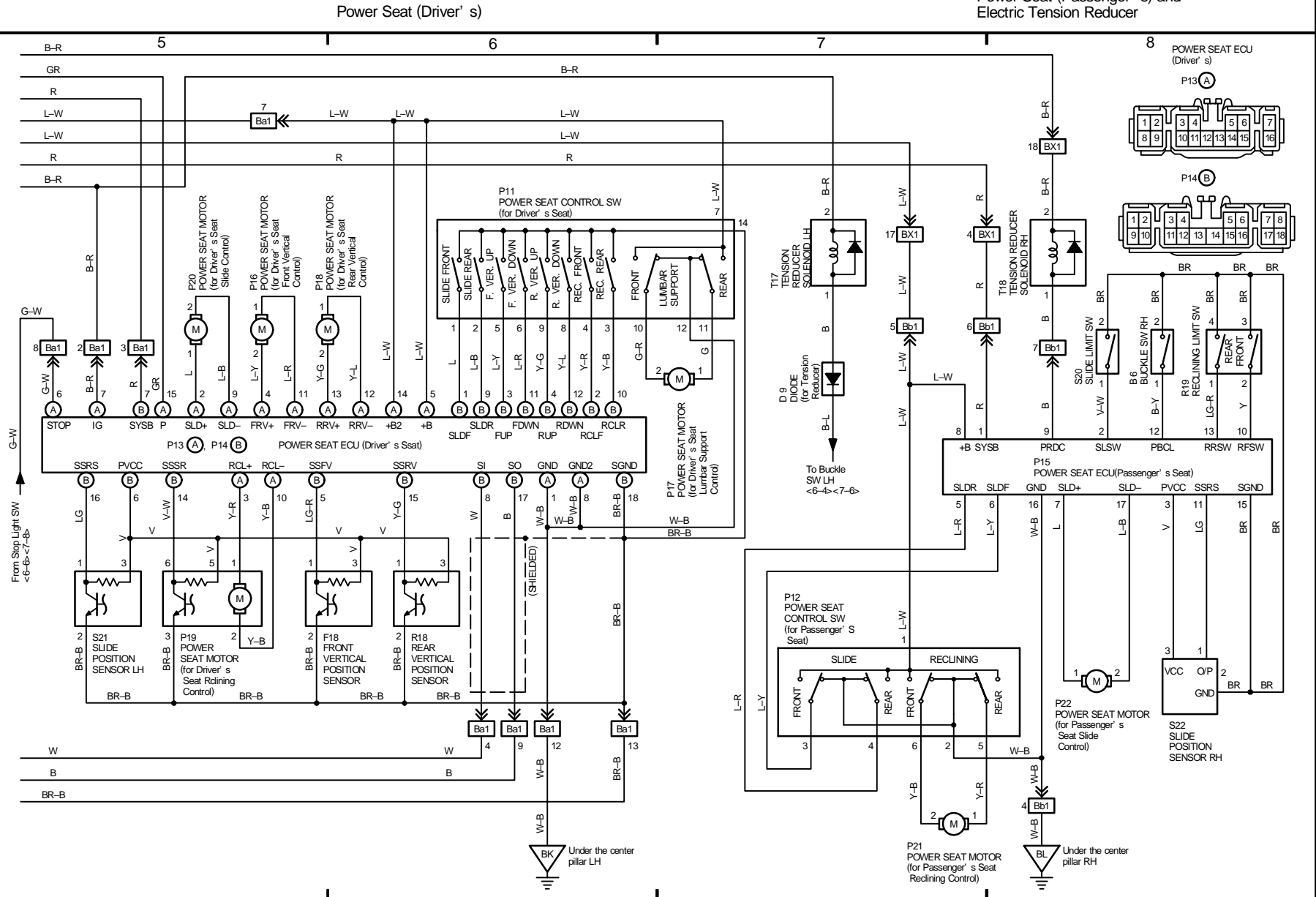
13 LEXUS SC400/SC300

(Cont. next page)



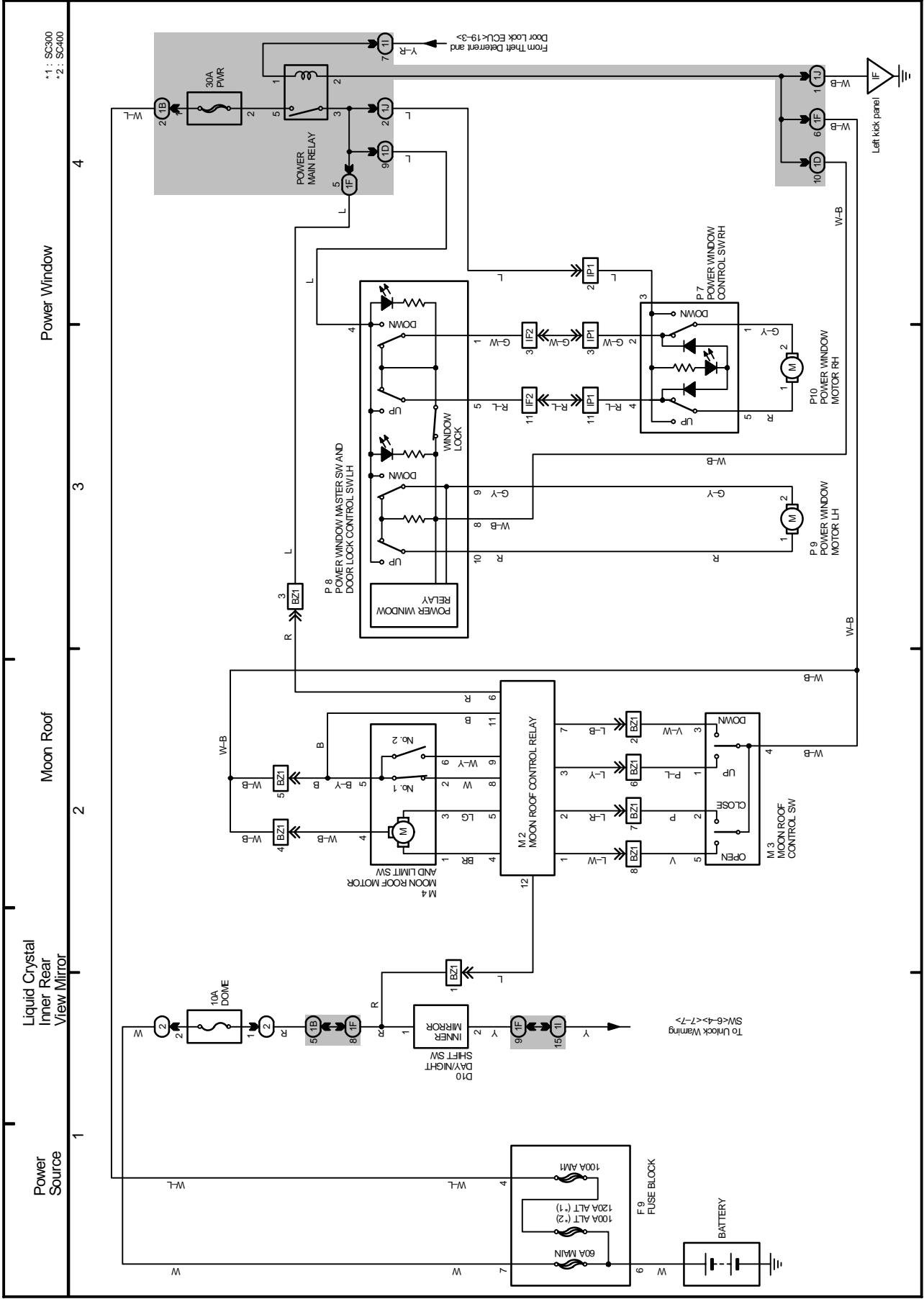
### 13 LEXUS SC400/SC300(Carr' d)

### Power Seat (Passenger' s) and Electric Tension Reducer

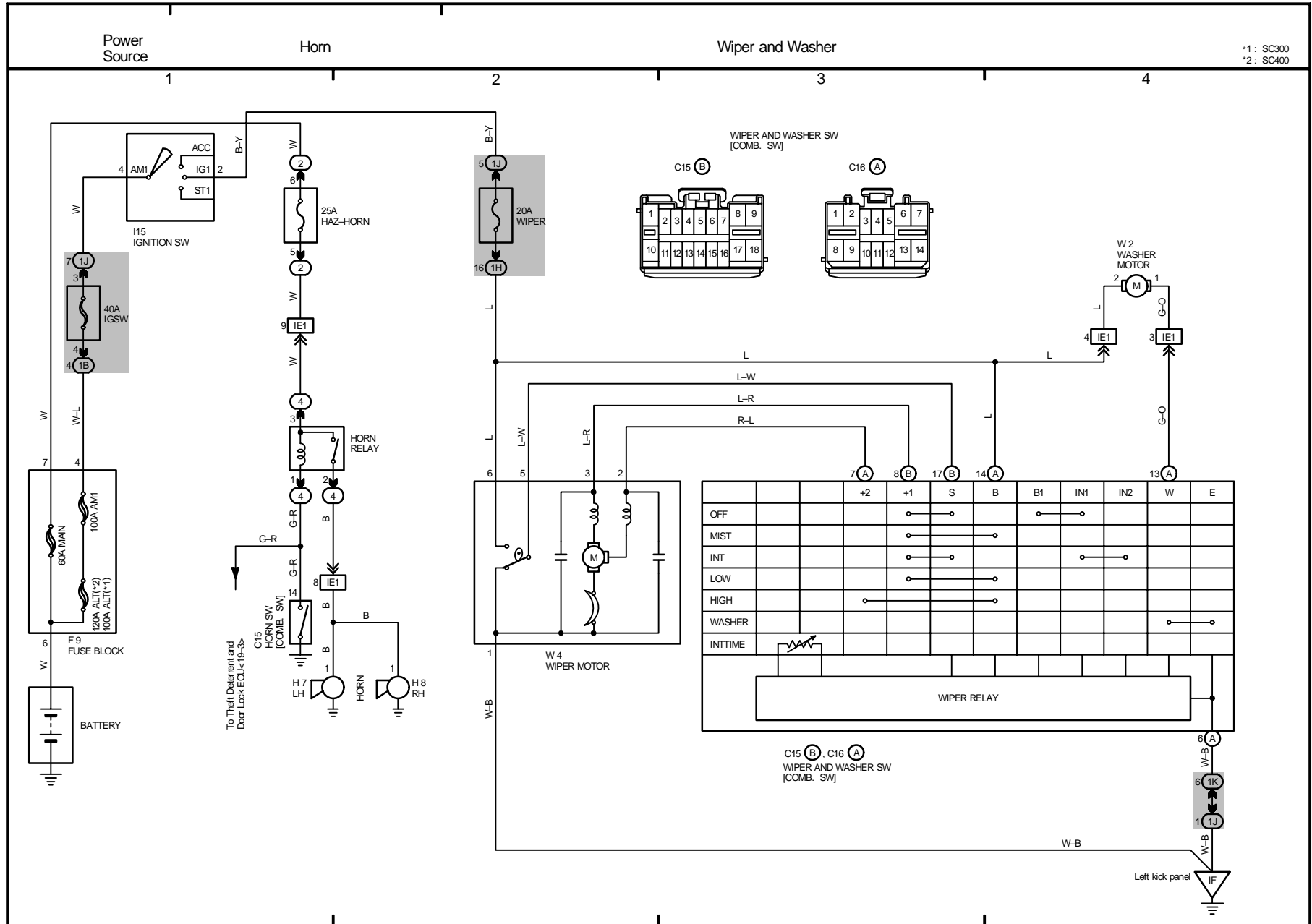


# OVERALL ELECTRICAL WIRING DIAGRAM

## 14 LEXUS SC400/SC300



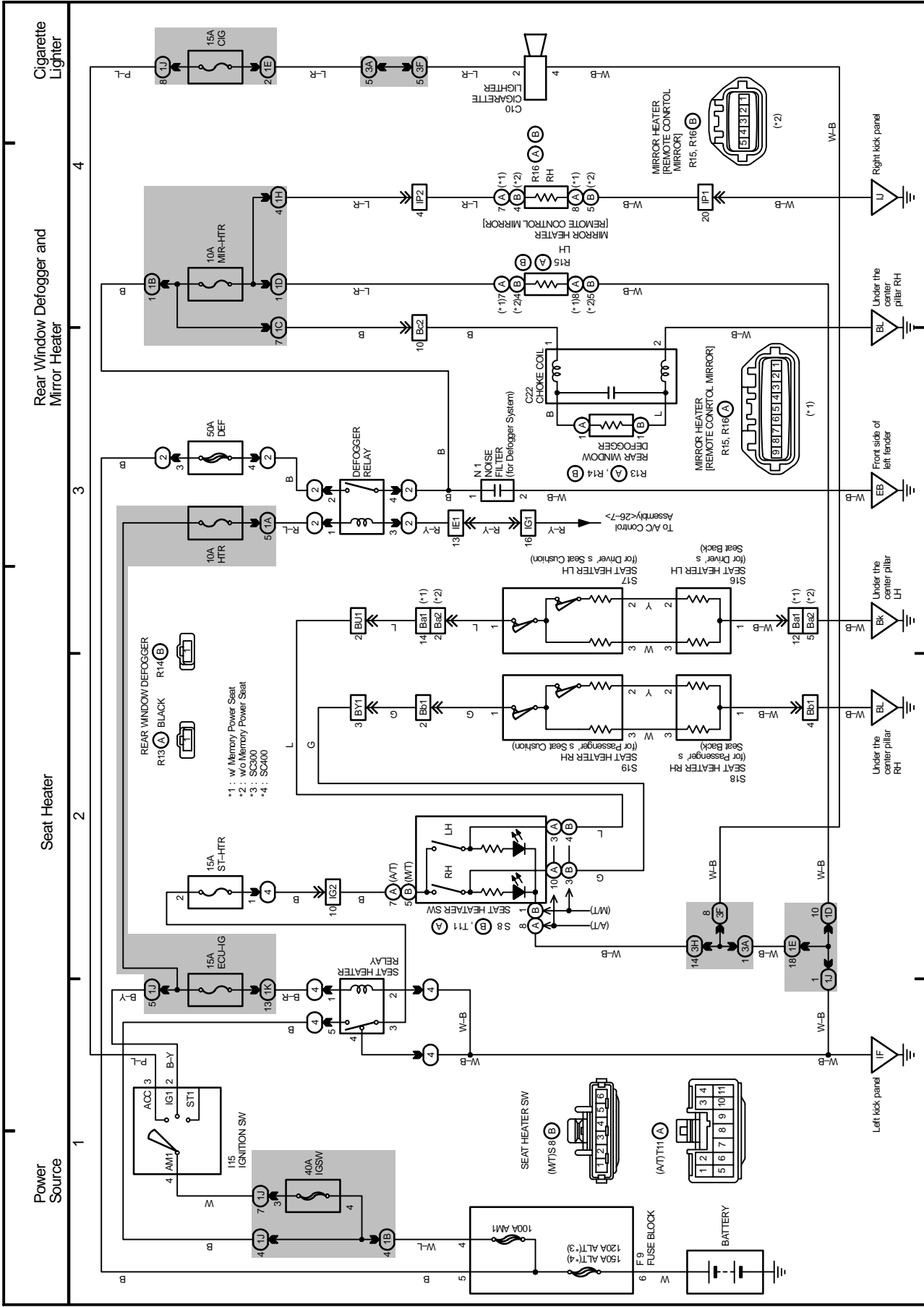
# 15 LEXUS SC400/SC300



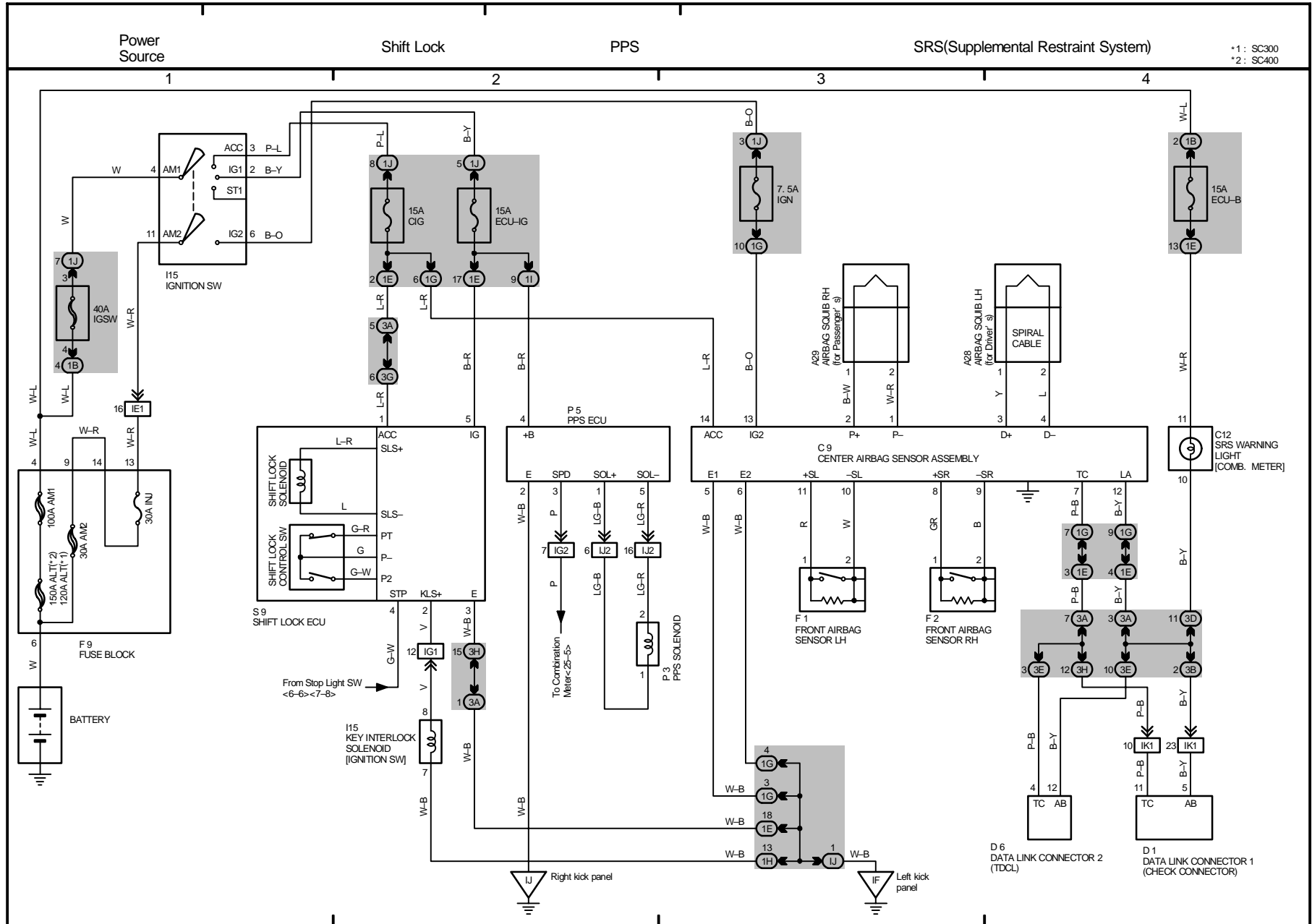


# OVERALL ELECTRICAL WIRING DIAGRAM

## 16 LEXUS SC400/SC300

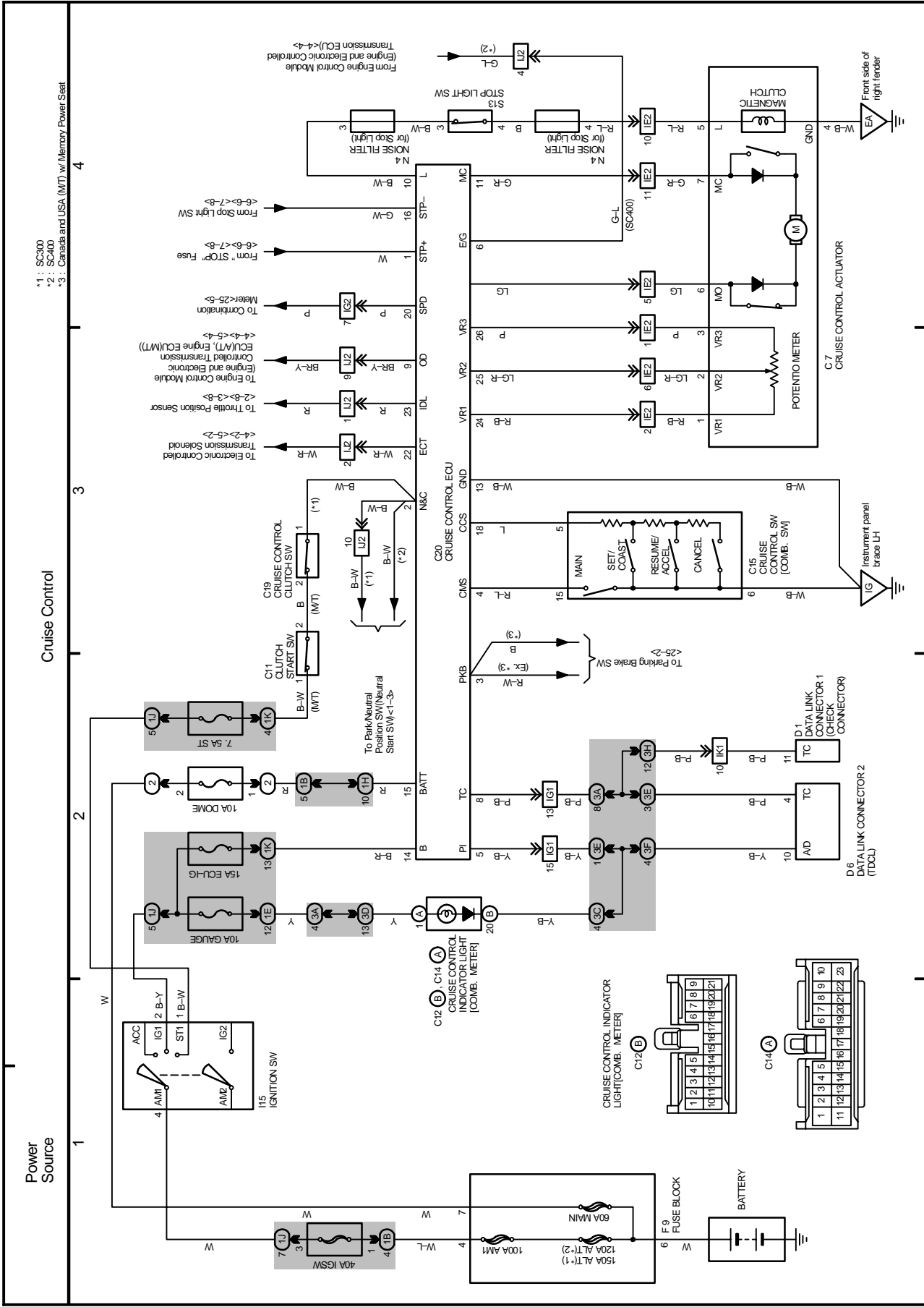


# 17 LEXUS SC400/SC300



# OVERALL ELECTRICAL WIRING DIAGRAM

## 18 LEXUS SC400/SC300

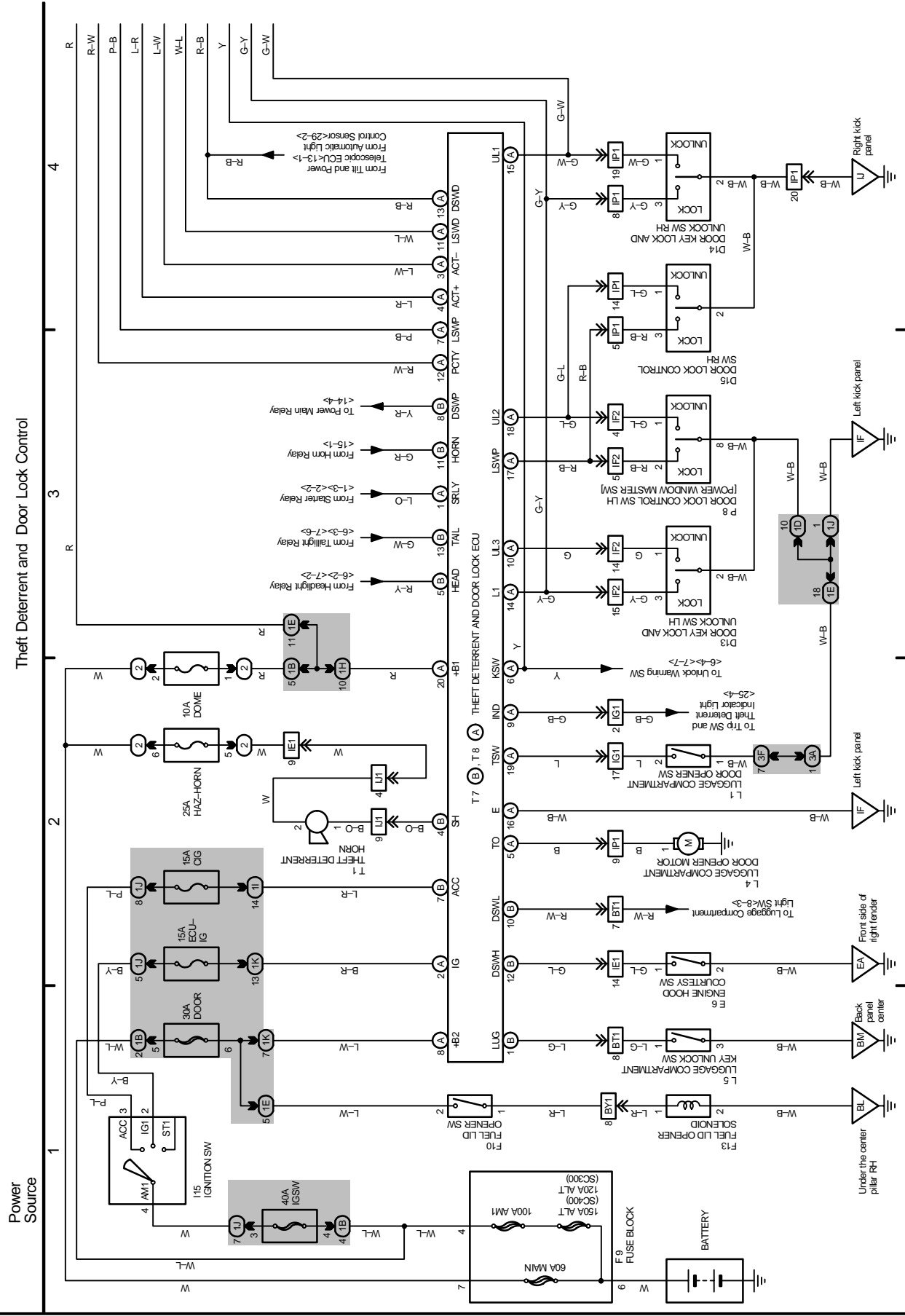




# OVERALL ELECTRICAL WIRING DIAGRAM

(Cont. next page)

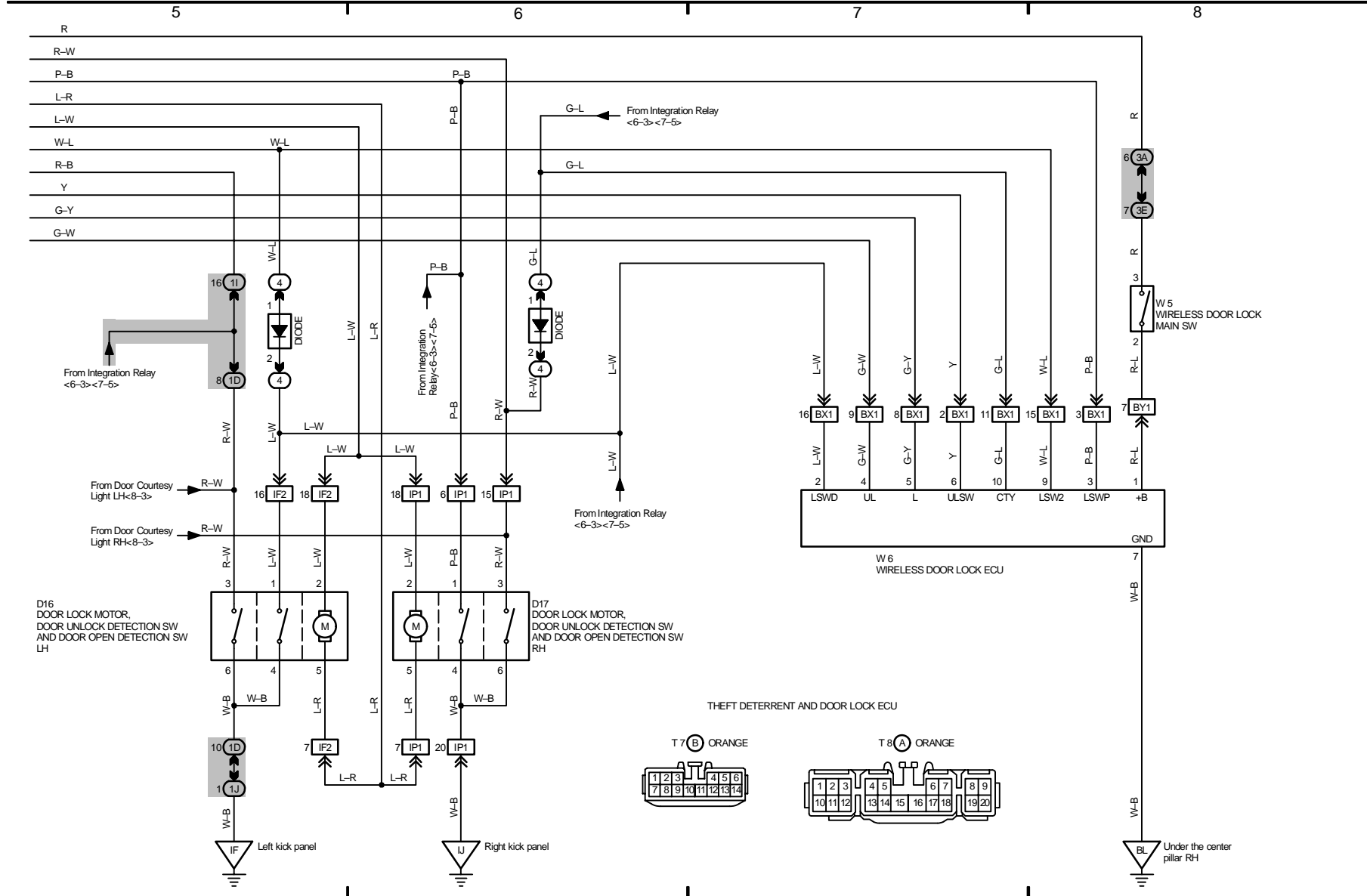
19 LEXUS SC400/SC300



# 19 LEXUS SC400/SC300(Corr' d)

## Theft Deterrent and Door Lock Control

## Wireless Door Lock Remote Control

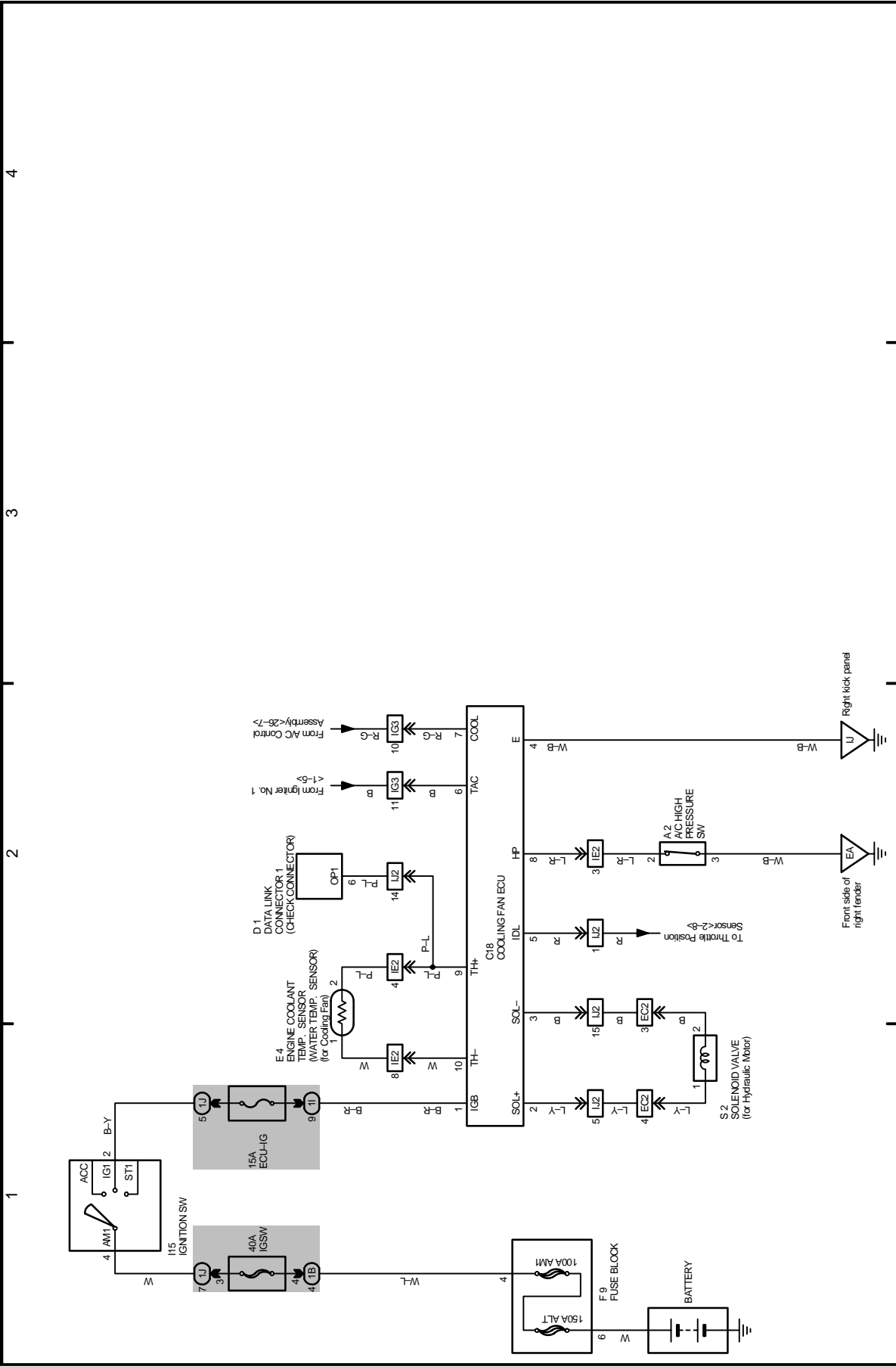


# OVERALL ELECTRICAL WIRING DIAGRAM

20 LEXUS SC400/SC300

## Electronically Controlled Hydraulic Cooling Fan(SC400)

Power Source





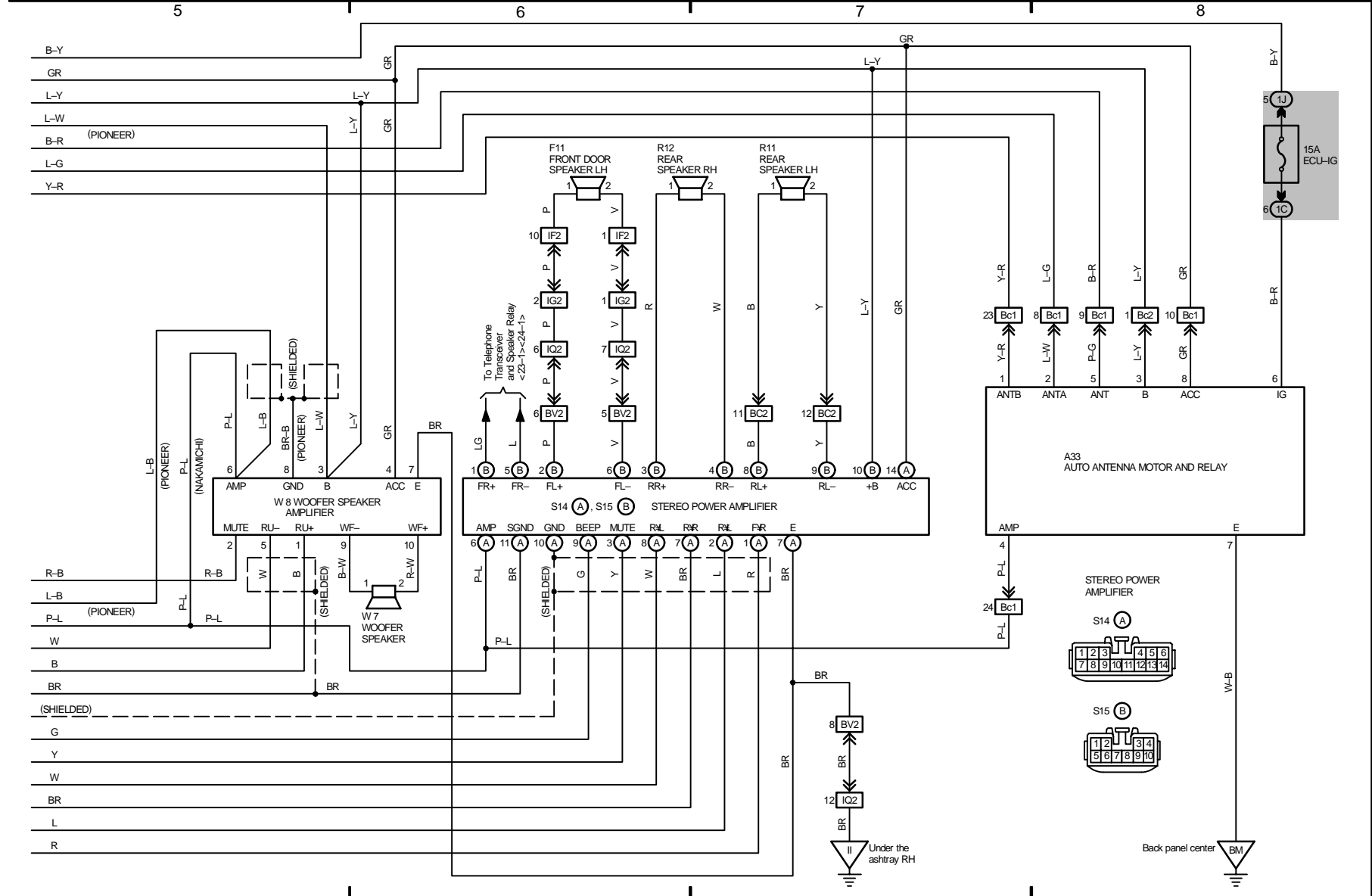




21 LEXUS SC400/SC300(Corr' d)

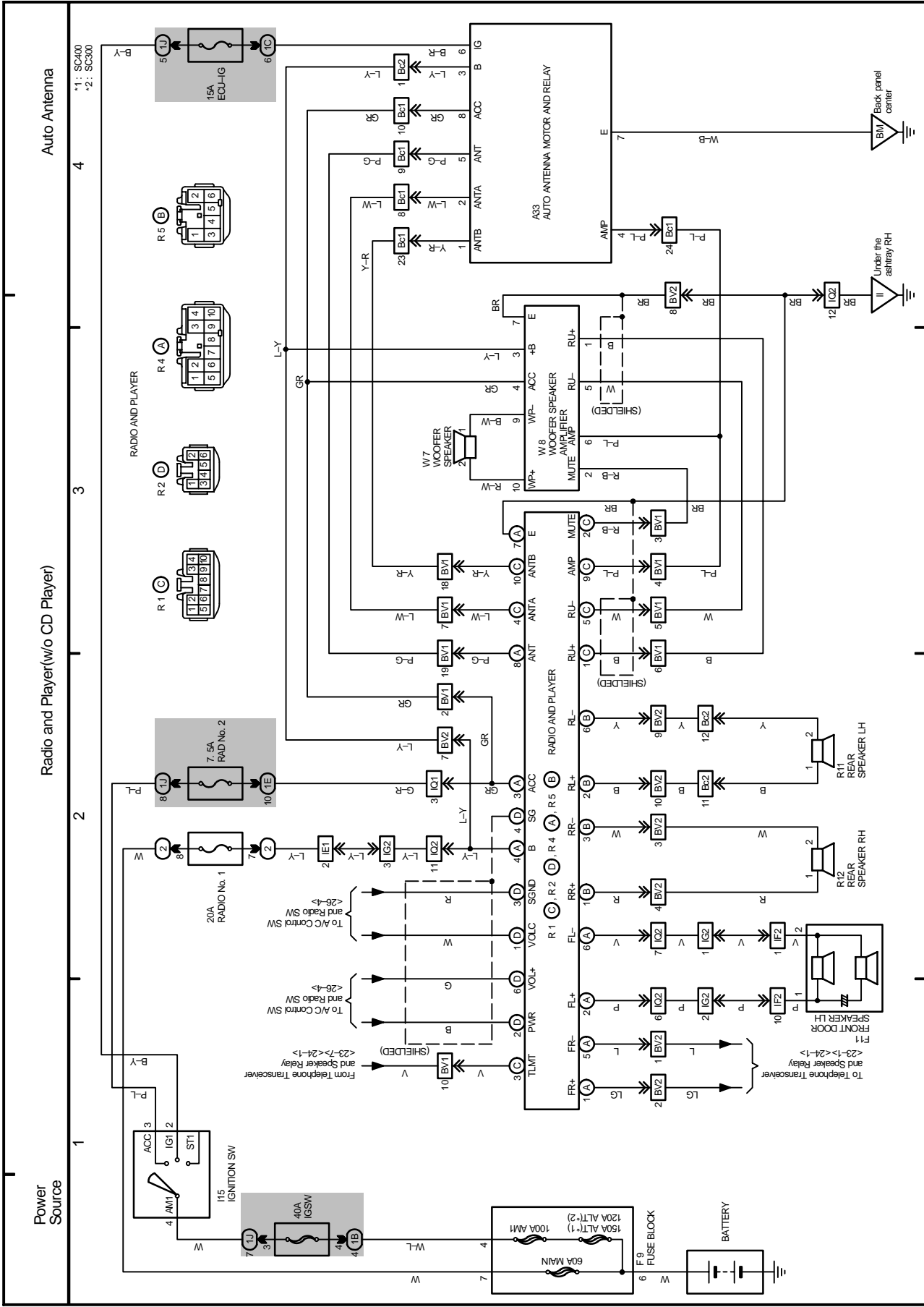
Radio and Player(w/ CD Player)

Auto Antenna

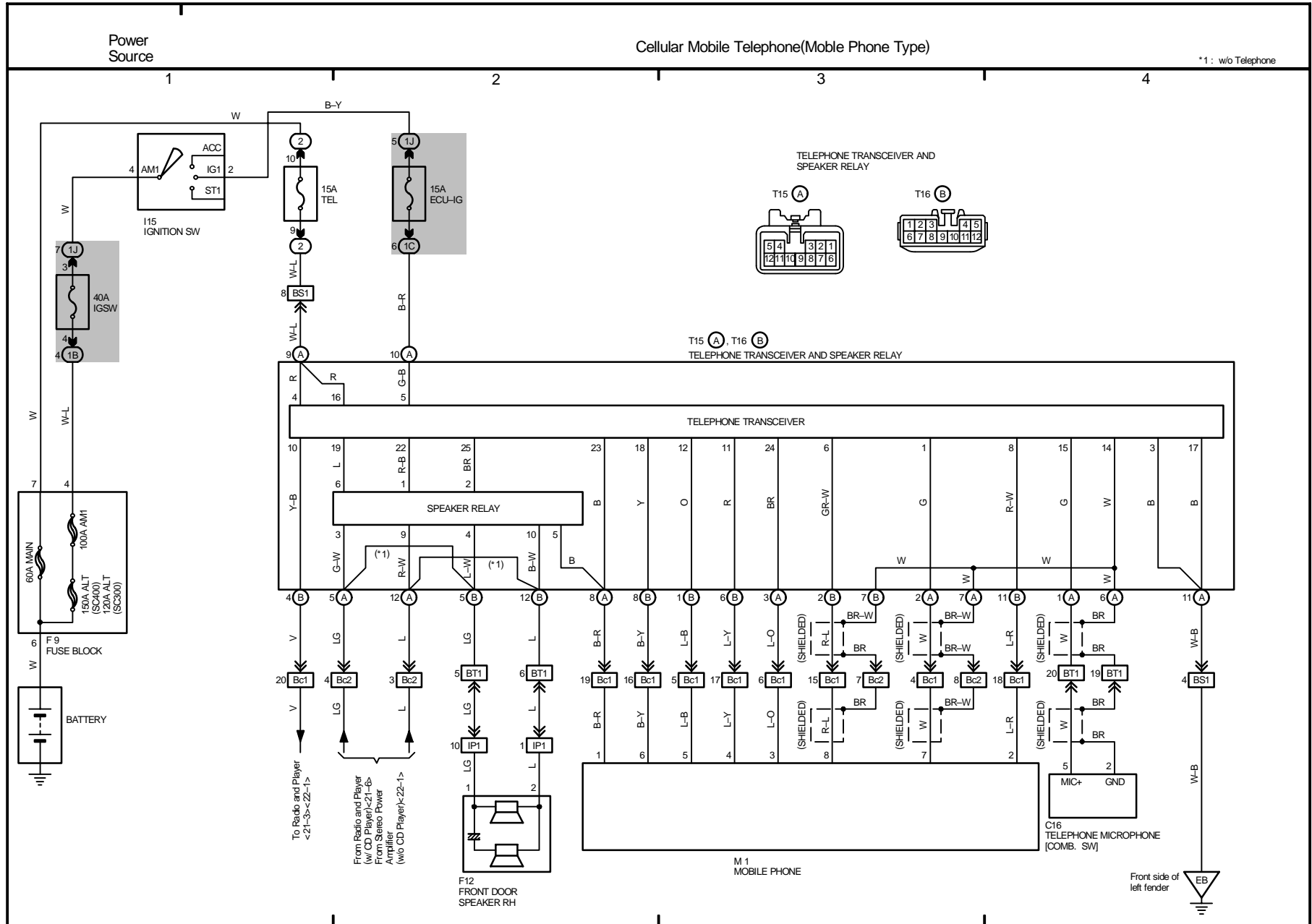


# OVERALL ELECTRICAL WIRING DIAGRAM

22 LEXUS SC400/SC300

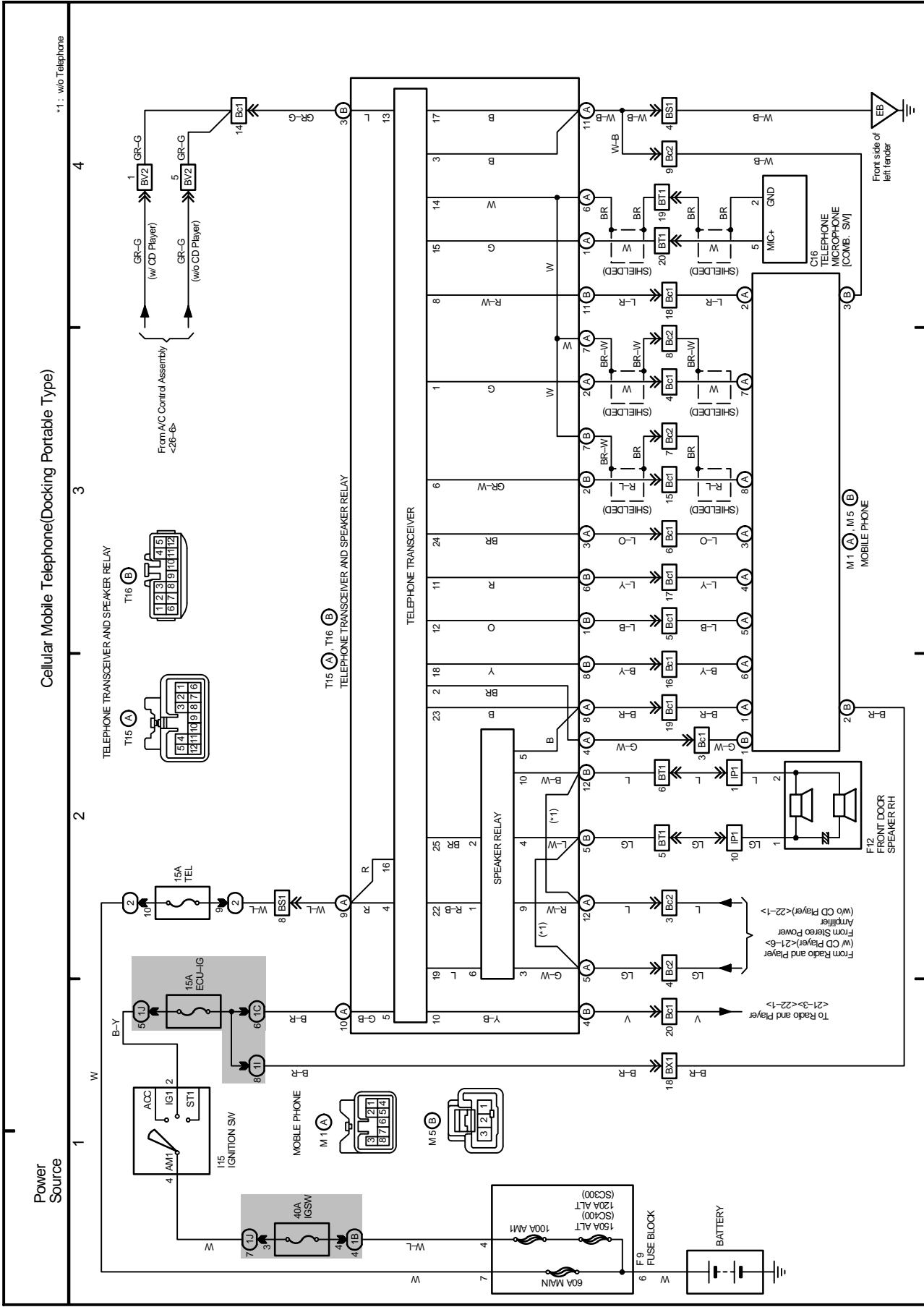


# 23 LEXUS SC400/SC300



# OVERALL ELECTRICAL WIRING DIAGRAM

24 LEXUS SC400/SC300



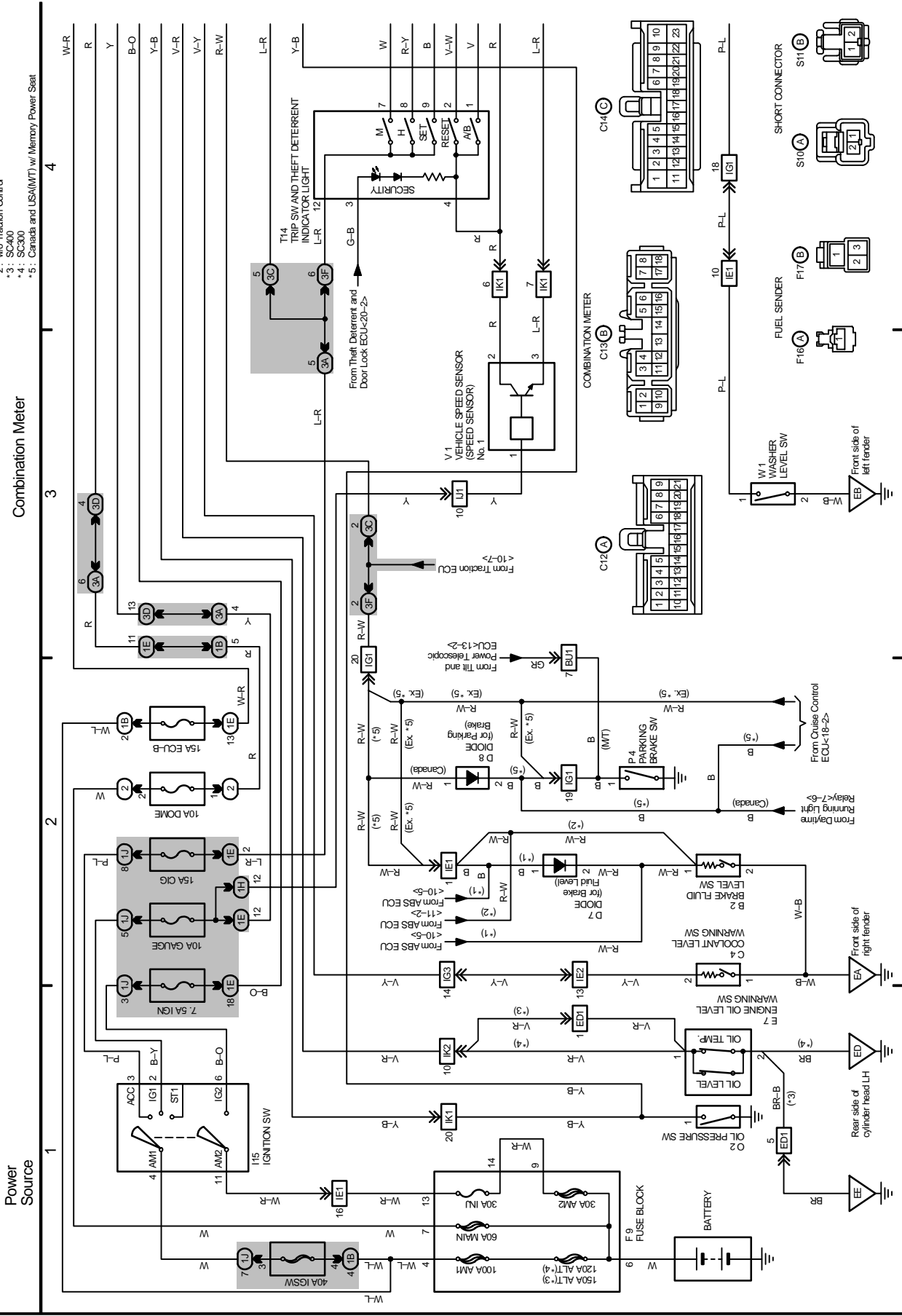


# OVERALL ELECTRICAL WIRING DIAGRAM

25 LEXUS SC400/SC300

(Cont. next page)

- \*1: w/ Traction Control
- \*2: w/o Traction Control
- \*3: SC400
- \*4: SC300
- \*5: Canada and USA(MT) w/ Memory Power Seat

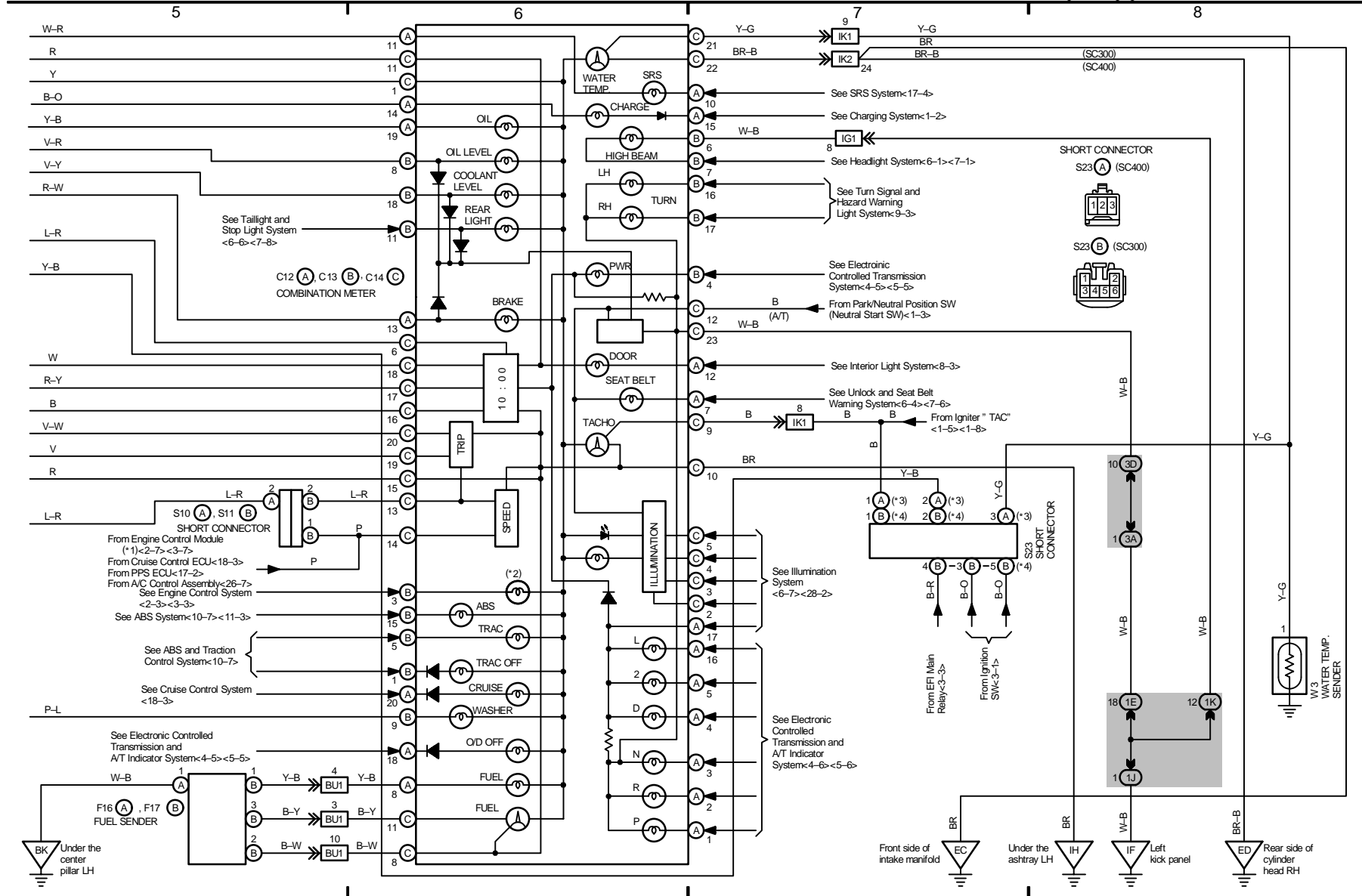


# 25 LEXUS SC400/SC300(Corr' d)

## Combination Meter

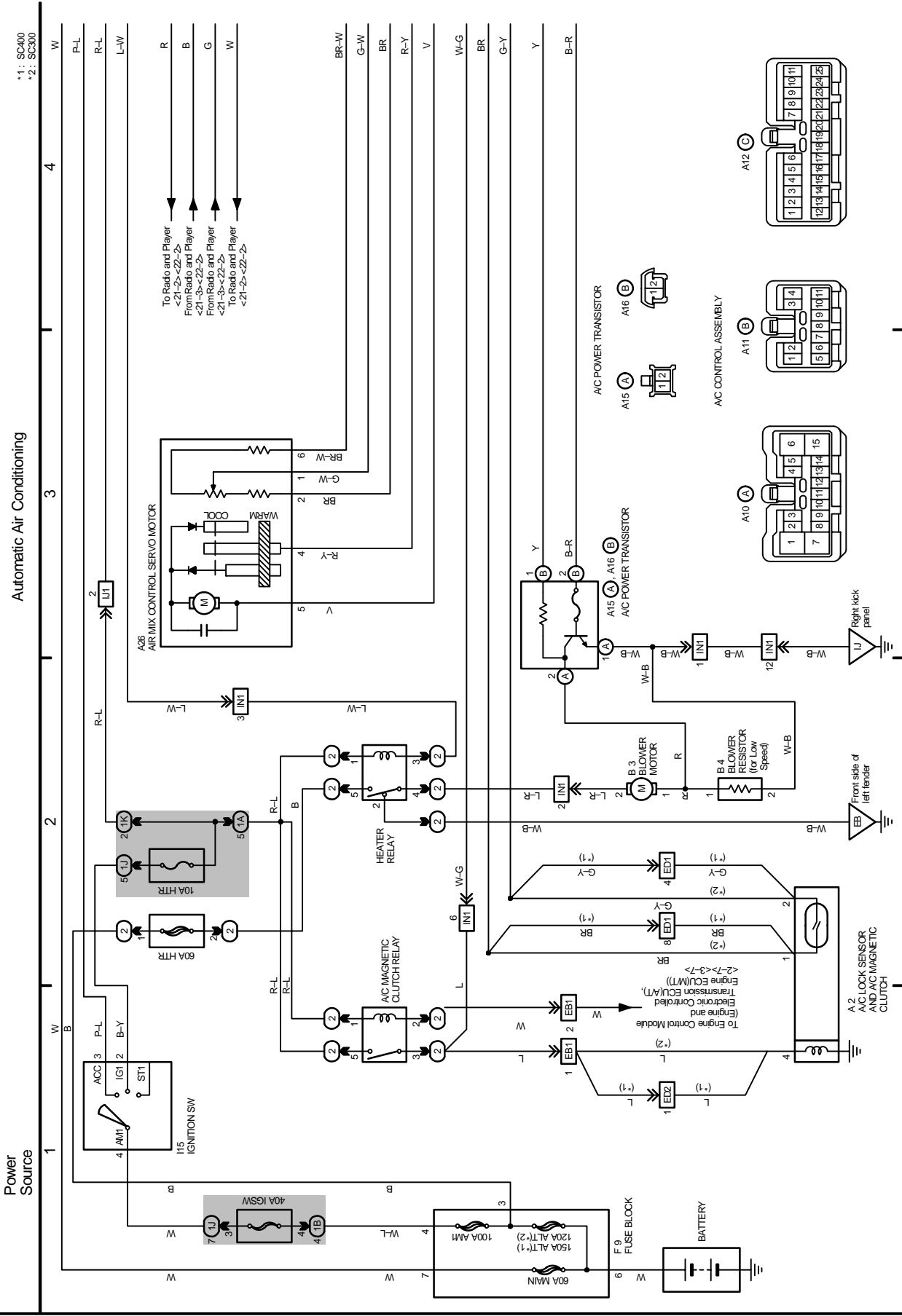
\*1 : Engine and Electronic Controlled  
Transmission ECU(A/T), Engine ECU(W/T)  
\*2 : Malfunction Indicator Lamp  
(Check Engine Warning Light)

\*3 : SC400  
\*4 : SC300





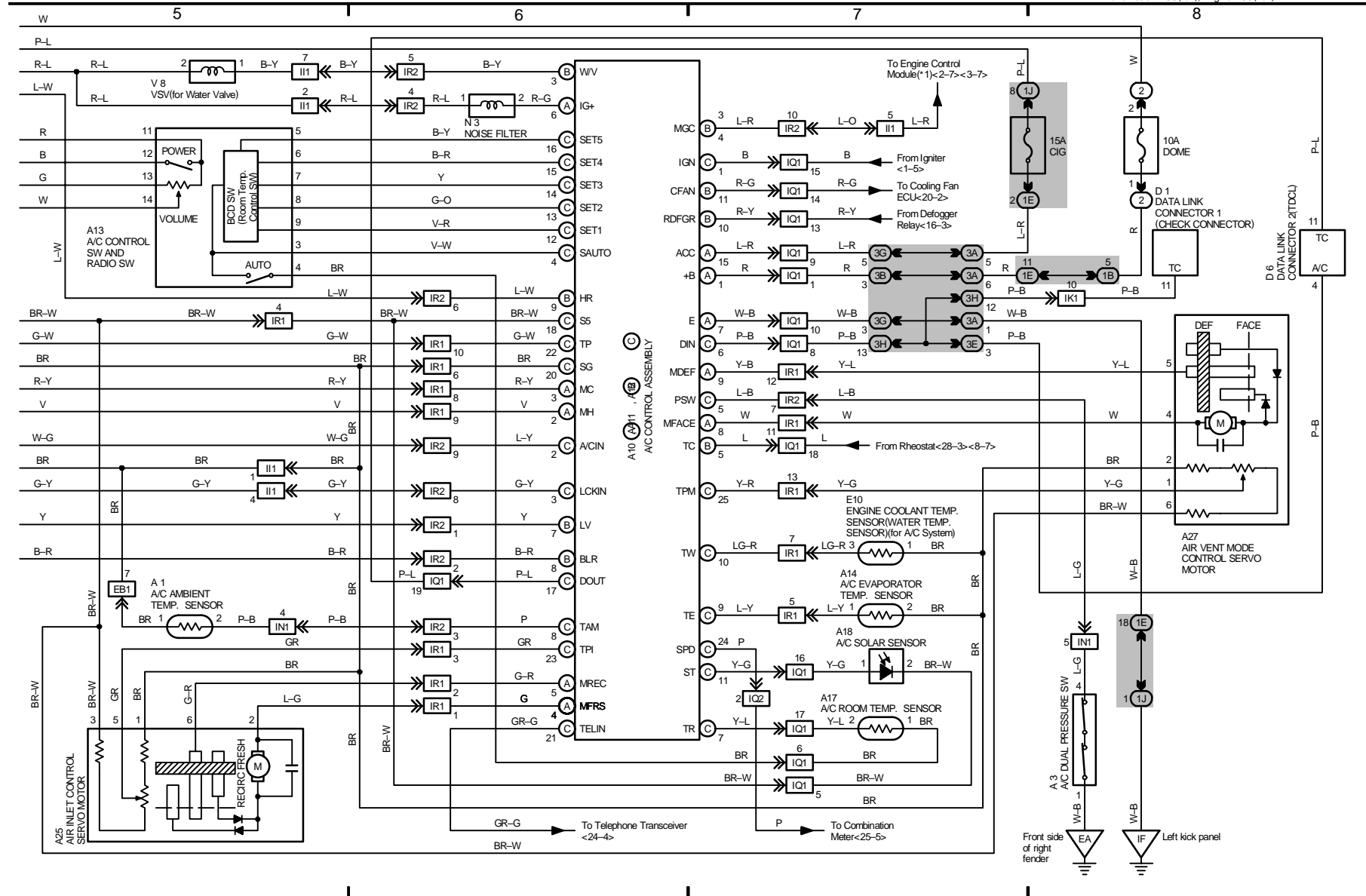
# OVERALL ELECTRICAL WIRING DIAGRAM



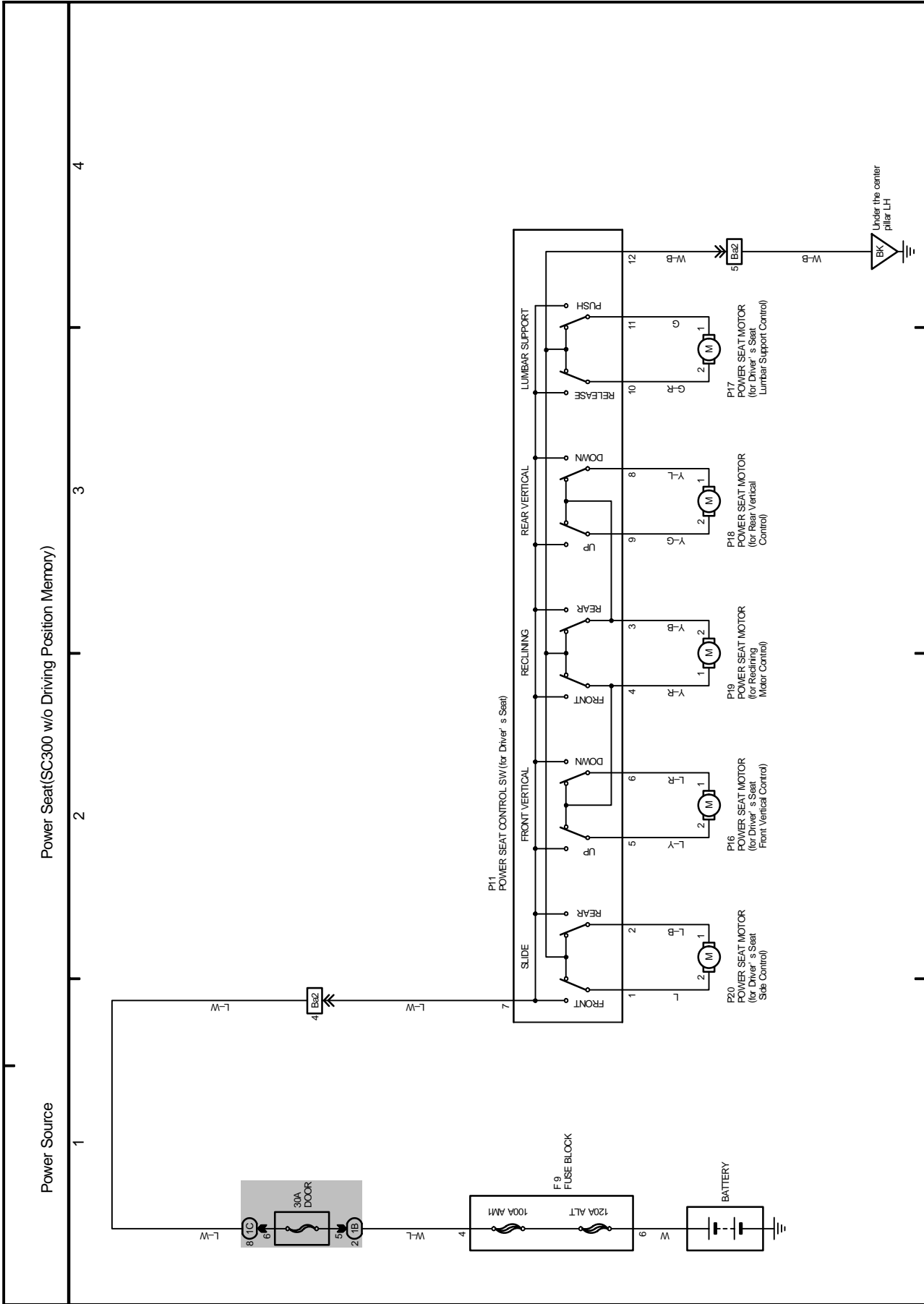
26 LEXUS SC400/SC300(Carr' d)

Automatic Air Conditioning

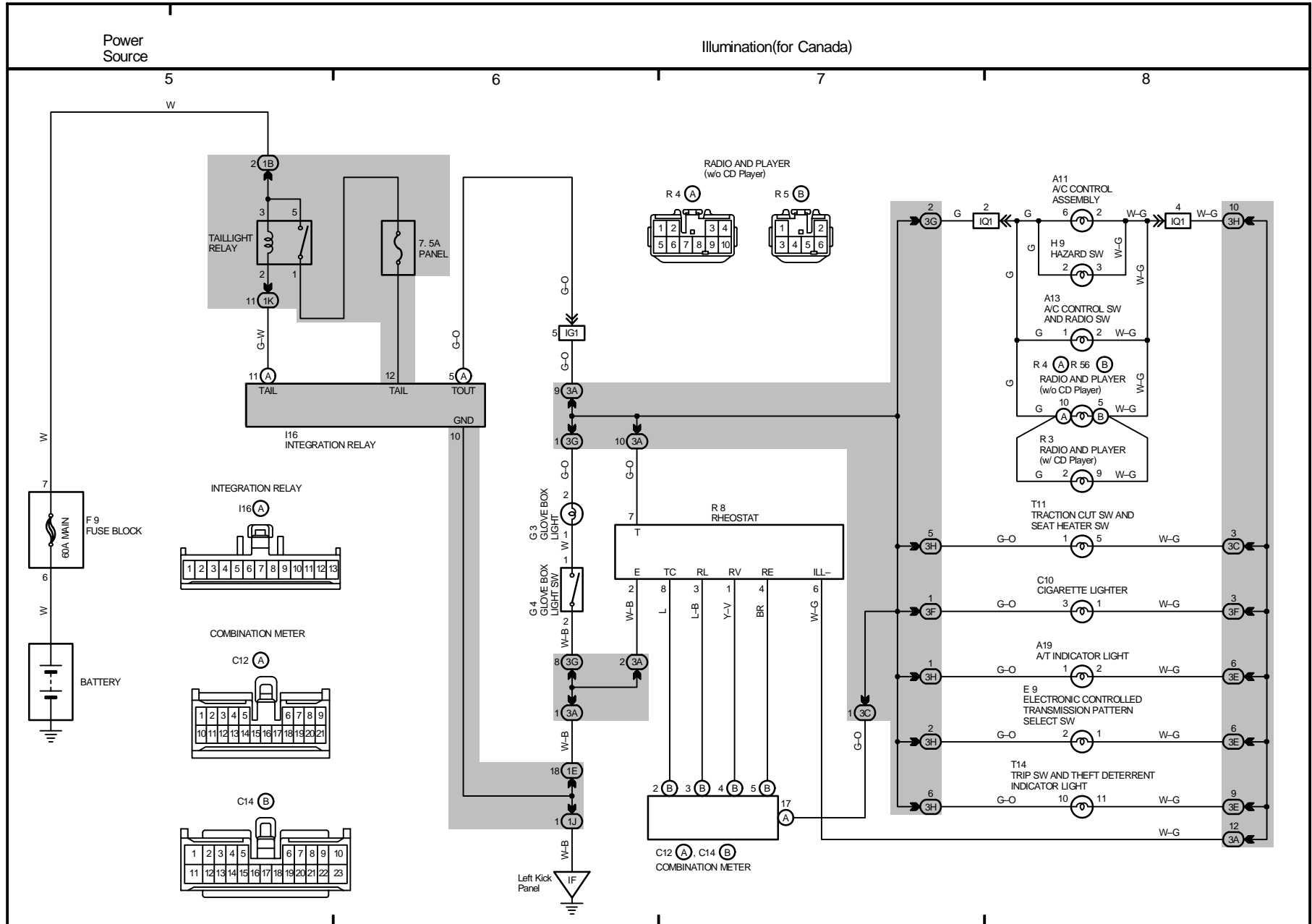
\*1 : Engine and Electronic Controlled Transmission ECU(A/T), Engine ECU(M/T)



# OVERALL ELECTRICAL WIRING DIAGRAM



28 LEXUS SC400/SC300



# OVERALL ELECTRICAL WIRING DIAGRAM

## 29 LEXUS SC400/SC300

