

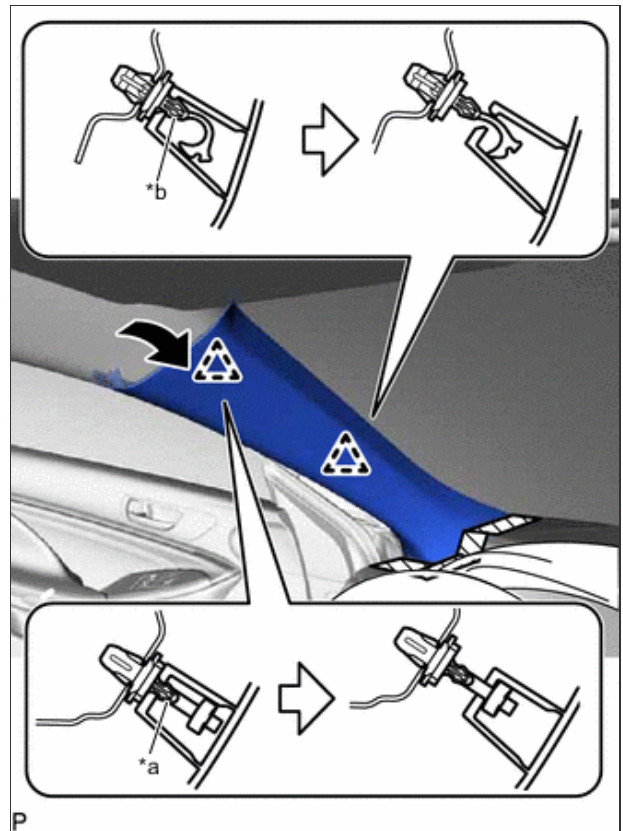


REMOVE FRONT PILLAR GARNISH LH

- a. Apply protective tape around the front pillar garnish LH as shown in the illustration.
- b. Pull the upper part of the front pillar garnish LH toward the inside of the cabin and disengage the front pillar garnish LH from the base of the 2 front pillar garnish clips.

Tech Tips

Let the front pillar garnish LH hang from the 2 front pillar garnish clips.

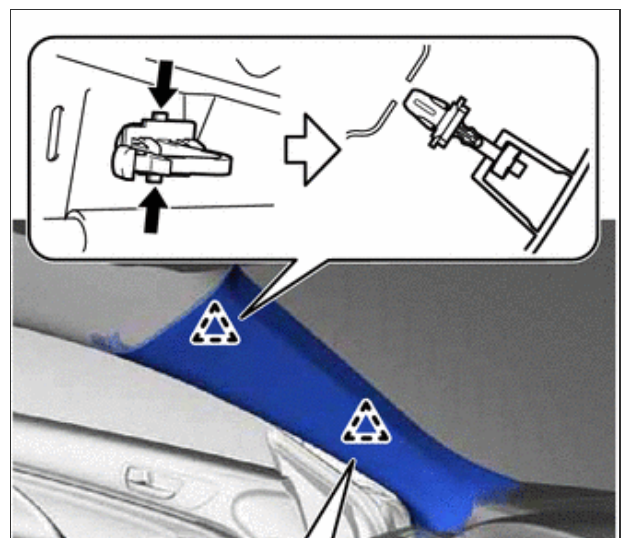


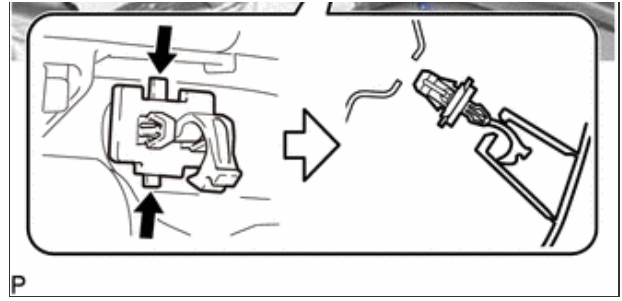
*a	Front Pillar Garnish Clip (A)
*b	Front Pillar Garnish Clip (B)
	Protective Tape

- c. While pushing the tabs on the 2 front pillar garnish clips as shown in the illustration, disengage the 2 front pillar garnish clips.

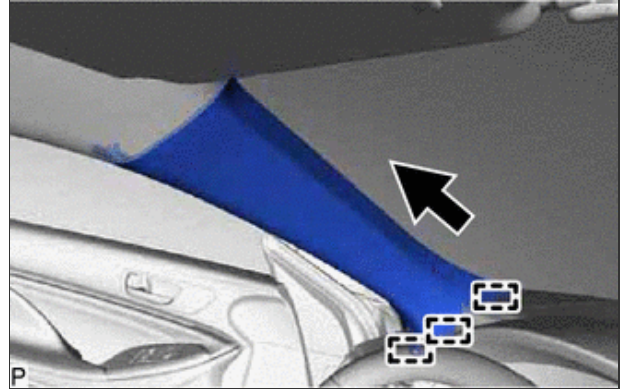
Note

- A front pillar garnish clip is reusable if it is not damaged.
- Do not apply excessive force using a tool.





d. Disengage the 3 guides to remove the front pillar garnish LH as shown in the illustration.

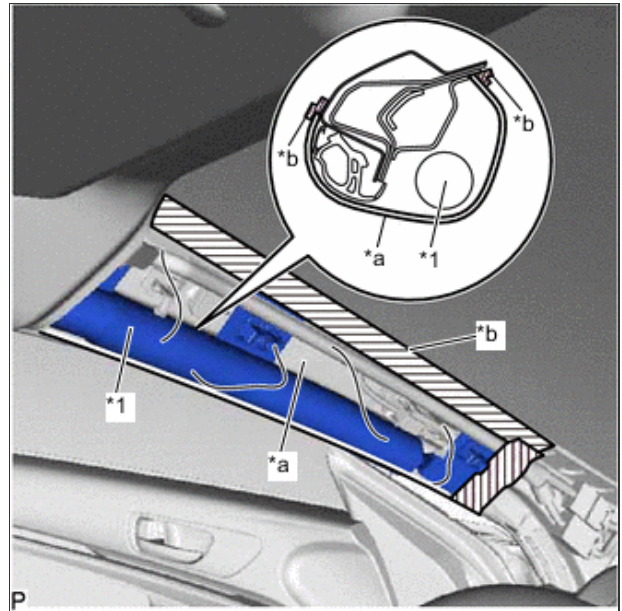


e. Protect the curtain shield airbag assembly LH.

i. Cover the curtain shield airbag assembly LH with a piece of cloth or nylon and secure the edges of the cover with tape as shown in the illustration.

Note

Cover the curtain shield airbag assembly LH with a protective cover as soon as the front pillar garnish LH is removed.



*1	Curtain Shield Airbag Assembly LH
*a	Protective Cover
*b	Adhesive Tape

6. REMOVE FRONT DOOR SCUFF PLATE RH

Tech Tips

Use the same procedure as for the LH side.

7. REMOVE FRONT DOOR OPENING TRIM COVER RH

Tech Tips