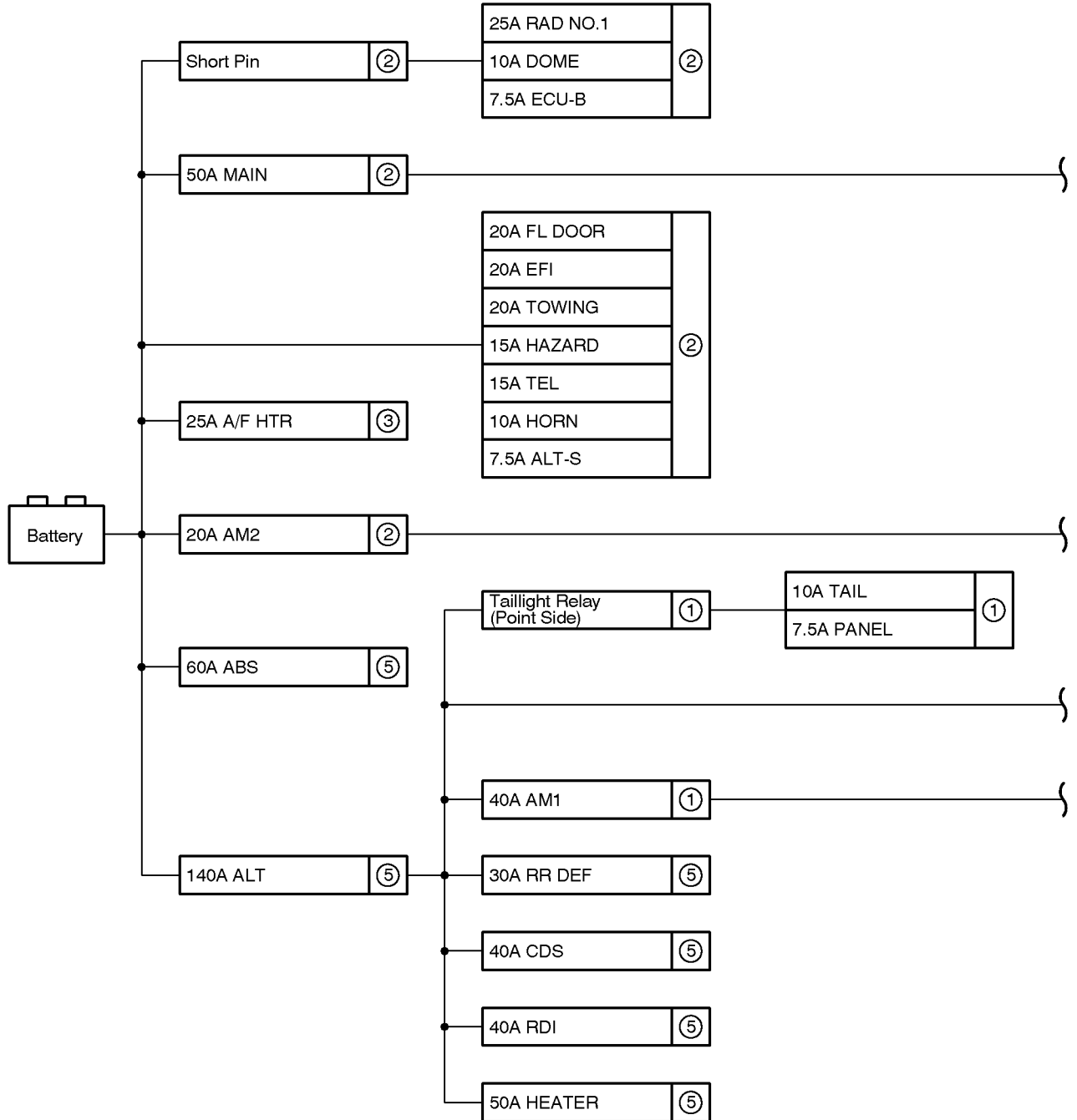
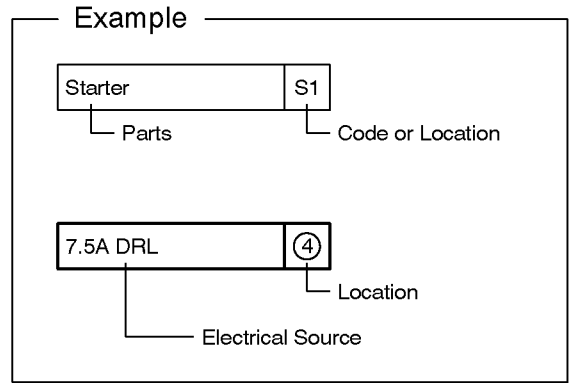
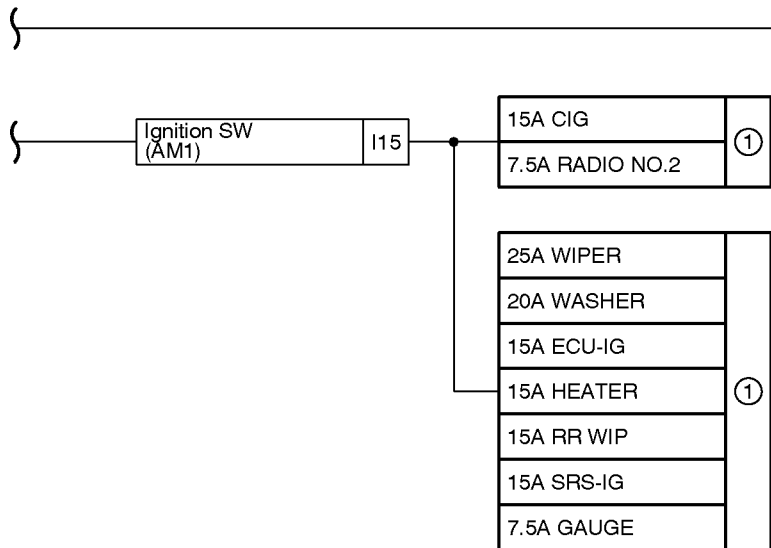
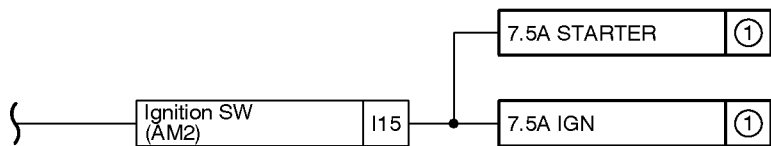
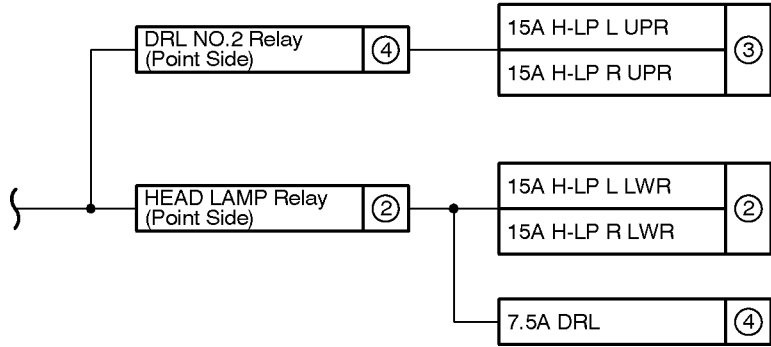


# J POWER SOURCE (Current Flow Chart)

The chart below shows the route by which current flows from the battery to each electrical source (Fusible Link, Circuit Breaker, Fuse, etc.) and other Parts.



[LOCATION] ① : Instrument Panel J/B (See Page 22)      ② : Engine Room J/B (See Page 24)  
 ⑤ : Fusible Link Block (F 9 on See Page 29)



30A POWER	①
20A D RR DOOR	
20A FR DEF	
20A P FR DOOR	
20A P RR DOOR	
20A STOP	
20A S/ROOF	
15A FR FOG	
15A PWR OUTLET	
15A SEAT HTR	
7.5A OBD	

③ : R/B No.2 (See Page 30)

④ : R/B No.3 (See Page 30)

## J POWER SOURCE (Current Flow Chart)

### Instrument Panel J/B (See Page 22)

Fuse		System	Page
7.5A	GAUGE	Automatic Air Conditioning	242
		Automatic Light Control	86
		Back-Up Light	90
		Cruise Control	222
		Electric Tension Reducer	200
		Electronically Controlled Transmission and A/T Indicator	216
		Headlight	72
		Interior Light	106
		Key Reminder and Seat Belt Warning	112
		LEXUS Navigation System	190
		Light Auto Turn Off	82
		Mirror Heater and Window Defogger	238
		Multiplex Communication System	126
		Power Window	166
		Seat Heater	214
		Stop Light	98
		Taillight	94
		Theft Deterrent and Door Lock Control	150
Trailer Towing	104		
Turn Signal and Hazard Warning	92		
VSC	226		
Wireless Door Lock Control	158		
7.5A	IGN	Electronically Controlled Transmission and A/T Indicator	216
		Engine Control and Engine Immobiliser System	62
		SRS	177
7.5A	OBD	Engine Control and Engine Immobiliser System	62
7.5A	PANEL	Illumination	100
		LEXUS Navigation System	190
7.5A	RADIO NO.2	Auto Antenna	184
		Automatic Air Conditioning	242
		Cellular Mobile Telephone	194
		Key Reminder and Seat Belt Warning	112
		LEXUS Navigation System	190
		Multiplex Communication System	126
7.5A	STARTER	Engine Control and Engine Immobiliser System	62
		Starting and Ignition	56
10A	TAIL	Fog Light	80
		Multiplex Communication System	126
		Taillight	94
		Trailer Towing	104

\* These are the page numbers of the first page on which the related system is shown.

Fuse		System	Page
15A	CIG	Cigarette Lighter	118
		Remote Control Mirror	182
		Shift Lock	148
15A	ECU-IG	Auto Antenna	184
		Automatic Glare-Resistant EC Mirror and Compass	198
		Cellular Mobile Telephone	194
		Charging	60
		Cruise Control	222
		Headlight Beam Level Control	78
		Moon Roof	174
		Power Seat (w/ Driving Position Memory)	202
		Shift Lock	148
VSC	226		
15A	FR FOG	Fog Light	80
		Multiplex Communication System	126
15A	HEATER	Automatic Air Conditioning	242
		Charging	60
		Combination Meter	234
		Cruise Control	222
		Electronically Controlled Transmission and A/T Indicator	216
		Engine Control and Engine Immobiliser System	62
		Headlight Beam Level Control	78
		Key Reminder and Seat Belt Warning	112
		Mirror Heater and Window Defogger	238
		Multiplex Communication System	126
		Radiator Fan and Condenser Fan	240
		SRS	177
		Stop Light	98
Taillight	94		
VSC	226		
15A	PWR OUTLET	Power Outlet	120
15A	RR WIP	Multiplex Communication System	126
		Rear Wiper and Washer	144
15A	SEAT HTR	Seat Heater	214
15A	SRS-IG	SRS	177
20A	D RR DOOR	Interior Light	106
		Multiplex Communication System	126
		Power Window	166
		Theft Deterrent and Door Lock Control	150
		Wireless Door Lock Control	158
20A	FR DEF	Mirror Heater and Window Defogger	238
20A	P FR DOOR	Interior Light	106
		Multiplex Communication System	126

\* These are the page numbers of the first page on which the related system is shown.

## J POWER SOURCE (Current Flow Chart)

Fuse		System	Page
20A	P FR DOOR	Power Window	166
		Theft Deterrent and Door Lock Control	150
		Wireless Door Lock Control	158
20A	P RR DOOR	Interior Light	106
		Multiplex Communication System	126
		Power Window	166
		Theft Deterrent and Door Lock Control	150
		Wireless Door Lock Control	158
20A	STOP	Cruise Control	222
		Electronically Controlled Transmission and A/T Indicator	216
		Engine Control and Engine Immobiliser System	62
		Multiplex Communication System	126
		Shift Lock	148
		Stop Light	98
		Trailer Towing	104
		VSC	226
20A	S/ROOF	Moon Roof	174
20A	WASHER	Front Wiper and Washer	142
		Multiplex Communication System	126
		Rear Wiper and Washer	144
25A	WIPER	Front Wiper and Washer	142
30A	POWER	Power Seat (w/ Driving Position Memory)	202
		Power Seat (w/o Driving Position Memory)	210
40A	AM1	Power Outlet	120

### Engine Room J/B (See Page 24)

Fuse		System	Page
7.5A	ALT-S	Charging	60
7.5A	ECU-B	Automatic Air Conditioning	242
		Automatic Light Control	86
		Combination Meter	234
		Headlight	72
		Interior Light	106
		Key Reminder and Seat Belt Warning	112
		Light Auto Turn Off	82
		Multiplex Communication System	126
		Power Window	166
		Theft Deterrent and Door Lock Control	150
Wireless Door Lock Control	158		
10A	DOME	Automatic Air Conditioning	242
		Combination Meter	234
		Garage Door Opener	116
		Interior Light	106
		LEXUS Navigation System	190

\* These are the page numbers of the first page on which the related system is shown.

Fuse		System	Page
10A	DOME	Moon Roof	174
		Multiplex Communication System	126
		Power Seat (w/ Driving Position Memory)	202
		Radio and Player	186
10A	HORN	Horn	122
		Multiplex Communication System	126
15A	HAZARD	Trailer Towing	104
		Turn Signal and Hazard Warning	92
15A	H-LP L LWR	Headlight	72
		Multiplex Communication System	126
15A	H-LP R LWR	Combination Meter	234
		Headlight	72
		Multiplex Communication System	126
15A	TEL	Cellular Mobile Telephone	194
20A	AM2	Engine Control and Engine Immobiliser System	62
		Starting and Ignition	56
20A	EFI	Electronically Controlled Transmission and A/T Indicator	216
		Engine Control and Engine Immobiliser System	62
20A	FL DOOR	Automatic Light Control	86
		Interior Light	106
		Key Reminder and Seat Belt Warning	112
		Light Auto Turn Off	82
		Multiplex Communication System	126
		Power Window	166
		Theft Deterrent and Door Lock Control	150
		Wireless Door Lock Control	158
20A	TOWING	Trailer Towing	104
25A	RAD NO.1	Auto Antenna	184
		Radio and Player	186
50A	MAIN	Automatic Light Control	86
		Headlight	72
		Headlight Beam Level Control	78
		Light Auto Turn Off	82
		Multiplex Communication System	126
		Starting and Ignition	56

### R/B No. 2 (See Page 30)

Fuse		System	Page
15A	H-LP L UPR	Headlight	72
		Multiplex Communication System	126
15A	H-LP R UPR	Headlight	72
		Multiplex Communication System	126
25A	A/F HTR	Engine Control and Engine Immobiliser System	62

\* These are the page numbers of the first page on which the related system is shown.

## J POWER SOURCE (Current Flow Chart)

### R/B No. 3 (See Page 30)

Fuse		System	Page
7.5A	DRL	Headlight	72
		Multiplex Communication System	126

### Fusible Link Box (F9 on See Page 29)

Fuse		System	Page
30A	RR DEF	Mirror Heater and Window Defogger	238
40A	CDS	Radiator Fan and Condenser Fan	240
40A	RDI	Radiator Fan and Condenser Fan	240
50A	HEATER	Automatic Air Conditioning	242
60A	ABS	VSC	226
140A	ALT	Automatic Light Control	86
		Charging	60
		Illumination	100
		Light Auto Turn Off	82
		Multiplex Communication System	126
		Power Outlet	120
		Radiator Fan and Condenser Fan	240
Taillight	94		

\* These are the page numbers of the first page on which the related system is shown.