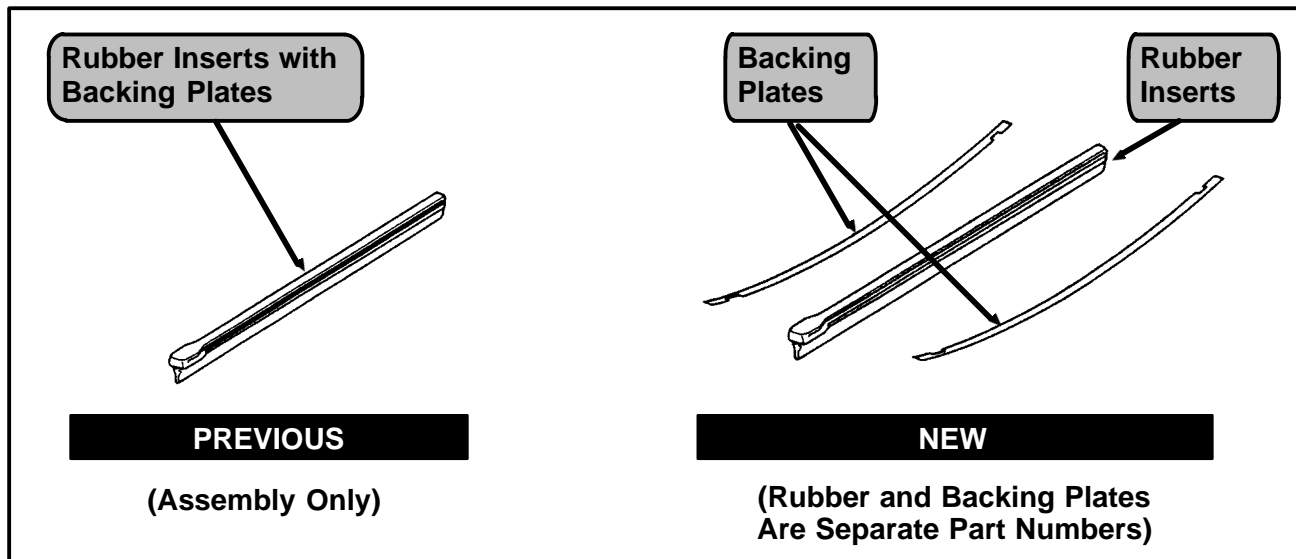


Technical Service Information

Title **WIPER INSERT REPLACEMENT METHOD**

Page 1 of 2

To improve serviceability, the wiper blade rubber inserts will now be available separately from the steel backing plates as shown below.



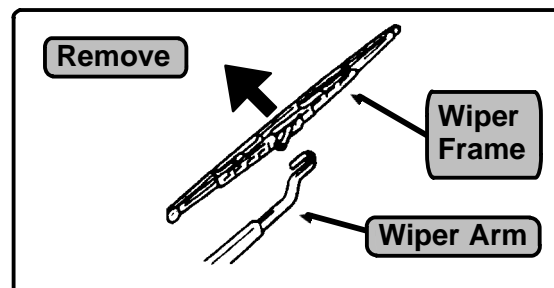
PART NUMBER INFORMATION:

Part Numbers of the new rubber inserts and steel backing plates which correspond to the previous complete assemblies are found in the Parts Operations Communications Update dated June 24, 1995.

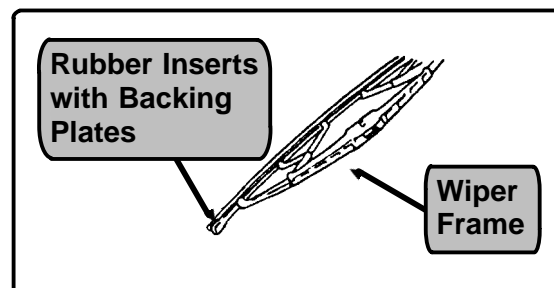
REPLACEMENT PROCEDURES:

1. Remove the wiper frame from the wiper arm.

NOTE: Put a towel or equivalent between the wiper arm end and the windshield glass to prevent damage to the glass.



2. Remove the rubber insert, with the steel backing plates, from the wiper frame.



REPLACEMENT PROCEDURES: (Cont'd.)

- Remove the steel backing plates from the rubber inserts.

NOTE: The backing plates are to be reused unless damaged.

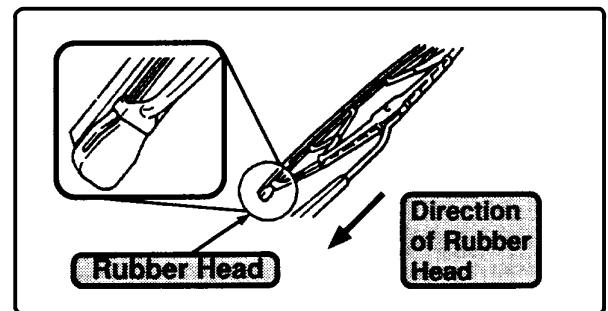
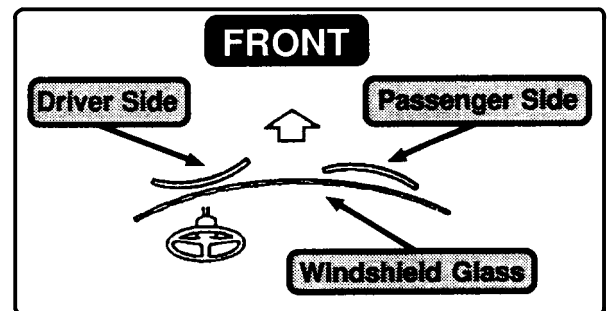
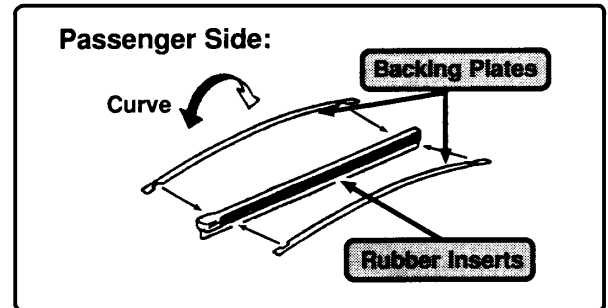
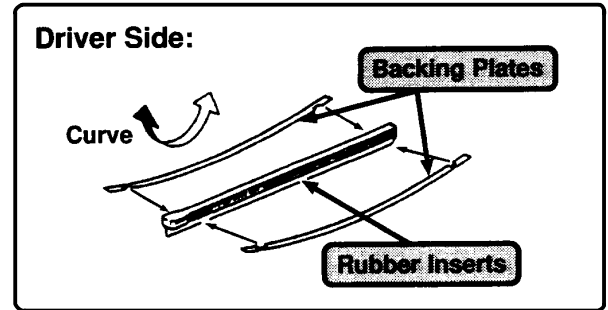
- Install the backing plates on the new rubber inserts.

NOTE: The backing plates are slightly curved. Check and install the backing plates according to the illustration. Driver side and passenger side backing plates are oriented differently.

- Install the rubber inserts, with the backing plates, onto the wiper frame.

- Install the wiper frame on the wiper arm.

NOTE: Be sure to install the head (big end) of the insert toward the bottom as shown.



WARRANTY INFORMATION: *

OPCODE	DESCRIPTION	TIME	OPN	T1	T2
850091	R&R Front Wiper Blade (Rubber only, both sides)	0.2	85214-XXXXX	75	41

* 12 months or 12,500 miles from the date-of-first-use or demo date, whichever occurs first. Coverage is extended to 18 months or 24,000 miles in New York due to "Lemon Law" legislation.