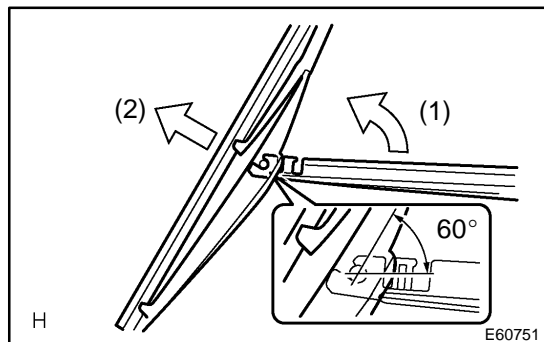


REAR WIPER RUBBER REPLACEMENT

660CZ-02



1. REMOVE REAR WIPER BLADE ASSY

- (a) Raise the rear wiper blade to the position as shown in the illustration where the meshing of the claw disengages with a clicking sound.

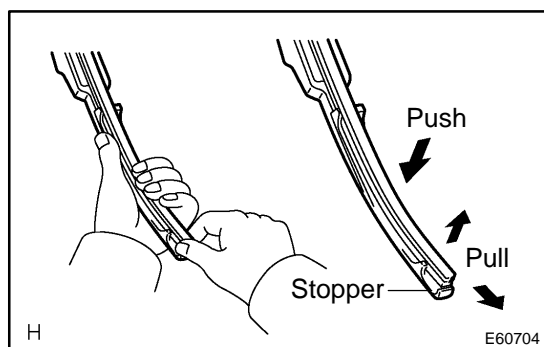
NOTICE:

Be careful not to break the claw.

- (b) Pull the rear wiper blade straight away from the wiper arm toward the left side of the vehicle.

NOTICE:

Do not fold the rear wiper arm with the rear wiper blade being removed from it.



2. REMOVE REAR WIPER RUBBER

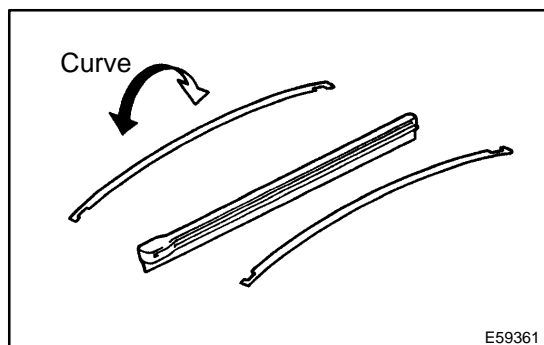
- (a) Pull the end of the wiper rubber protruding from the blade stopper as shown in the illustration.

NOTICE:

Do not pull out the wiper rubber forcibly. If you do, the backing plates will be deformed or blade claw will be damaged.

HINT:

Pushing the rubber from the ends towards the middle will allow it to be removed more easily.

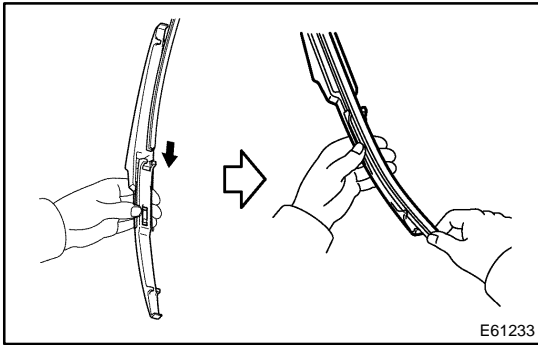


3. INSTALL REAR WIPER RUBBER

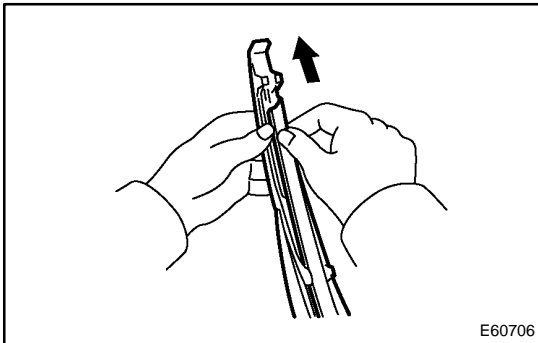
- (a) Install the 2 wiper rubber backing plates to the rear wiper rubber.

NOTICE:

Install the backing plates in the correct direction.



- (b) Insert the rear wiper rubber from the claw position of the middle of the rear wiper blade to the end.



- (c) After passing the rear wiper rubber through the rear end side claw, allow it to stick out from the rear end stopper and slide it through the front tip side claw.