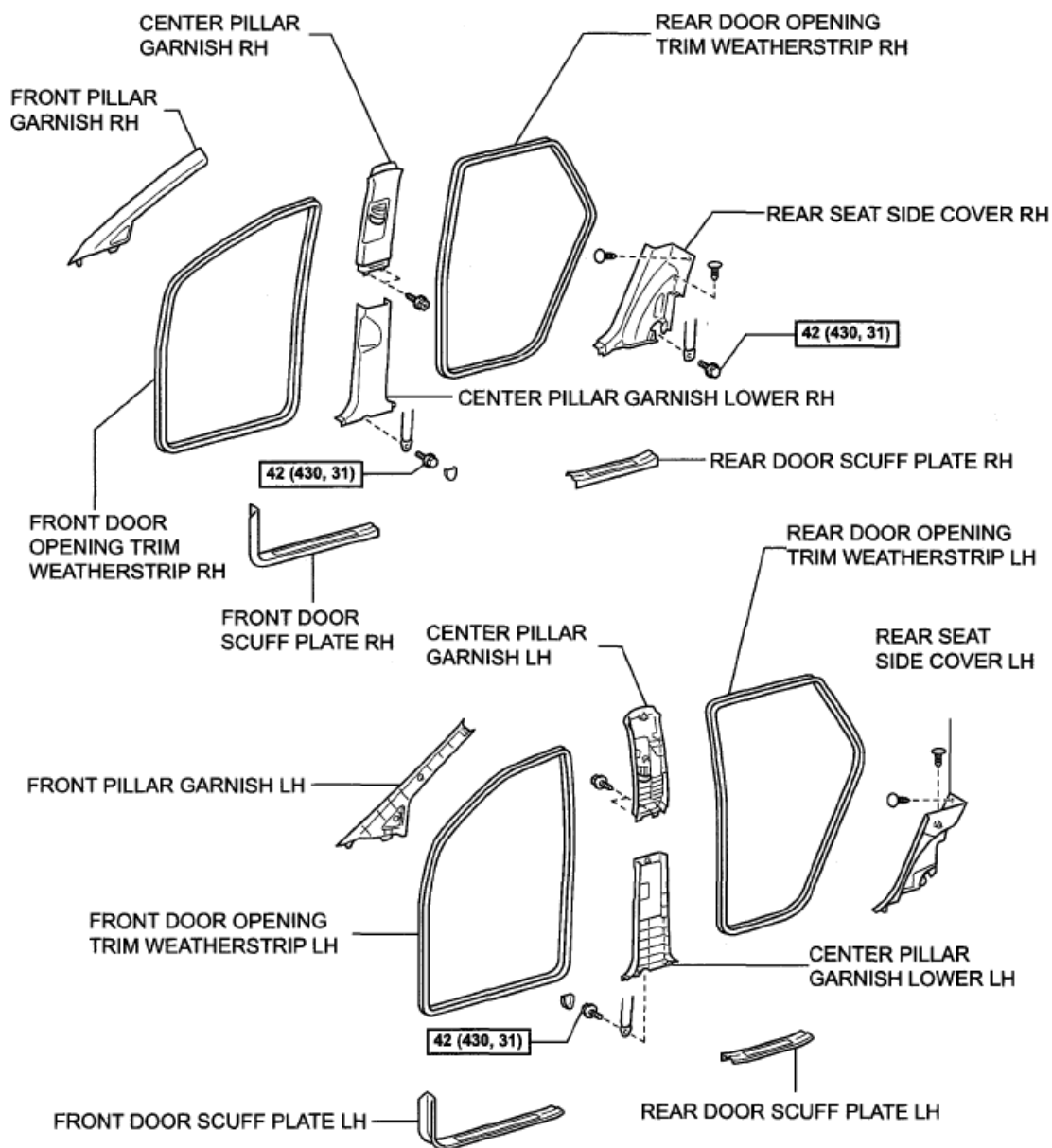


2008 ACCESSORIES & EQUIPMENT

Interior - RX 350

ROOF HEADLINING

COMPONENTS

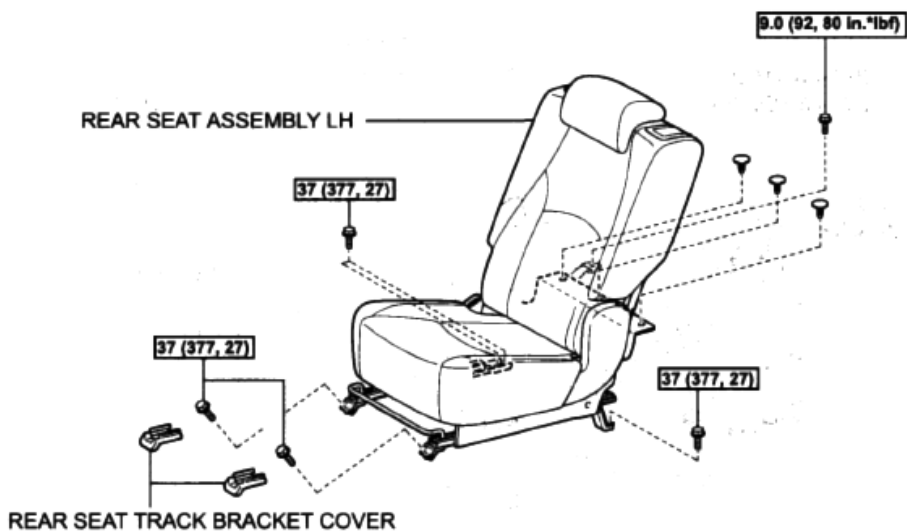
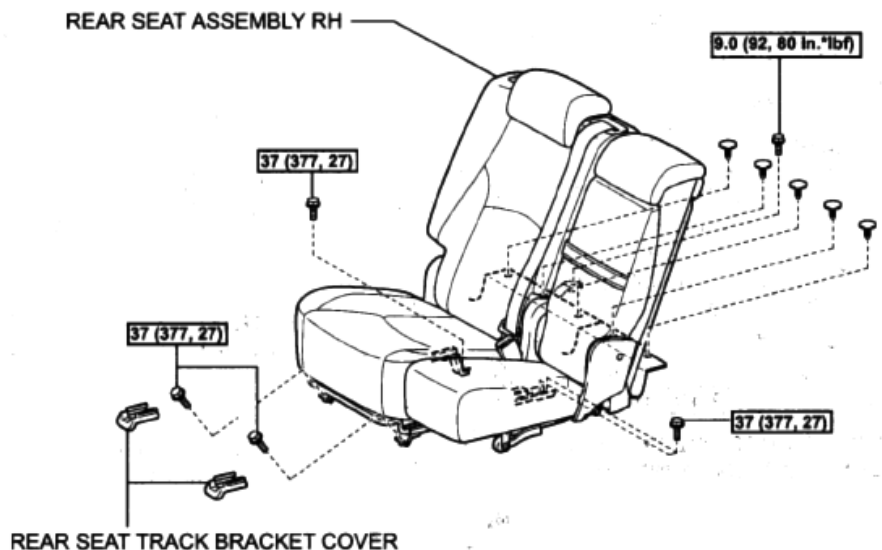


**N\*m (kgf\*cm, ft.\*lbf)** : Specified torque

0

Fig. 1: Identifying Roof Headlining Replacement Components With Torque Specifications (1 Of 11)

Courtesy of TOYOTA MOTOR SALES, U.S.A., INC.



**N\*m (kg\*cm, ft.\*lbf)** : Specified torque

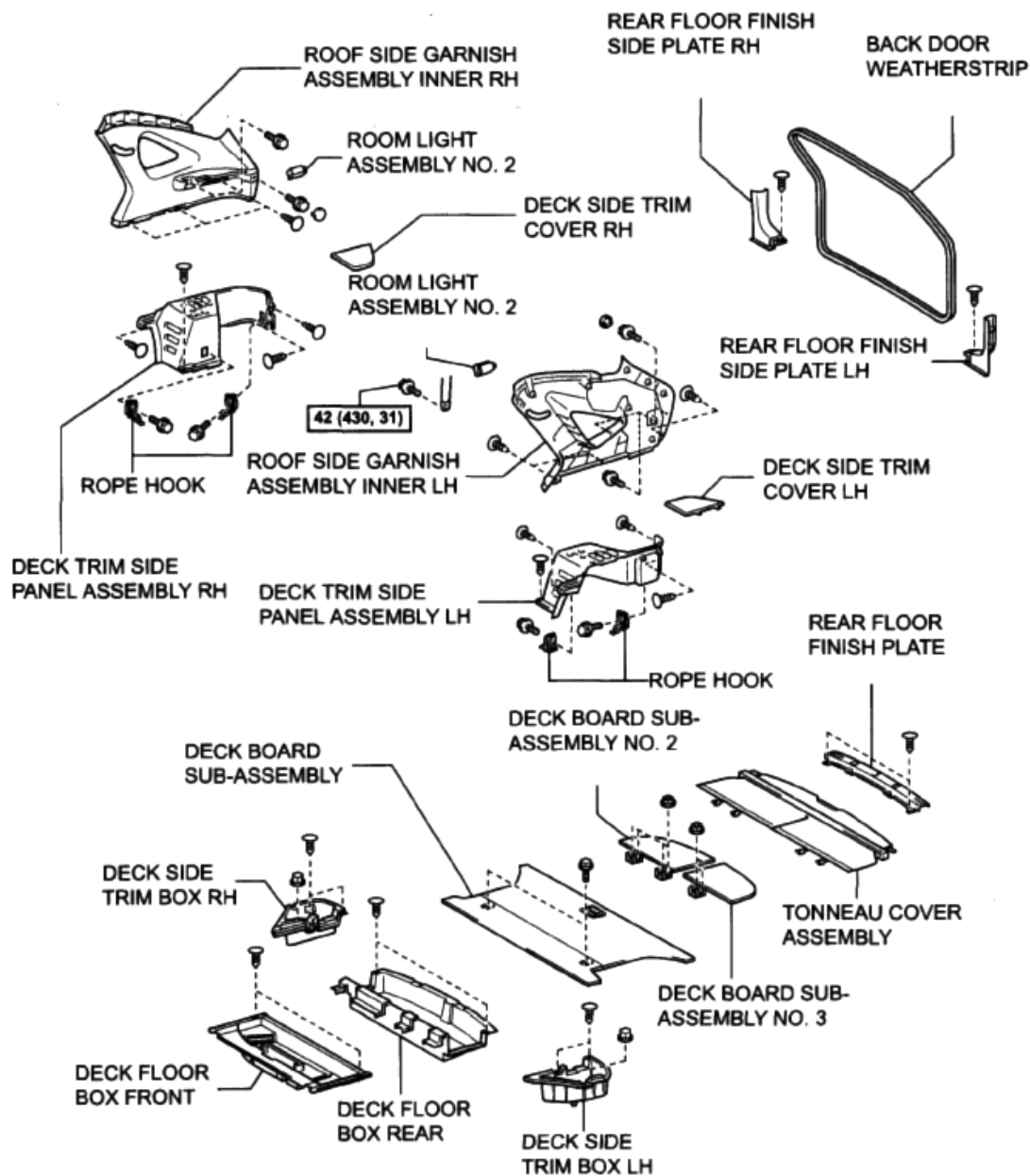
P

8120061E06

**Fig. 2: Identifying Roof Headlining Replacement Components With Torque Specifications (2 Of 11)**  
Courtesy of TOYOTA MOTOR SALES, U.S.A., INC.

2008 Lexus RX 350

2008 ACCESSORIES & EQUIPMENT Interior - RX 350



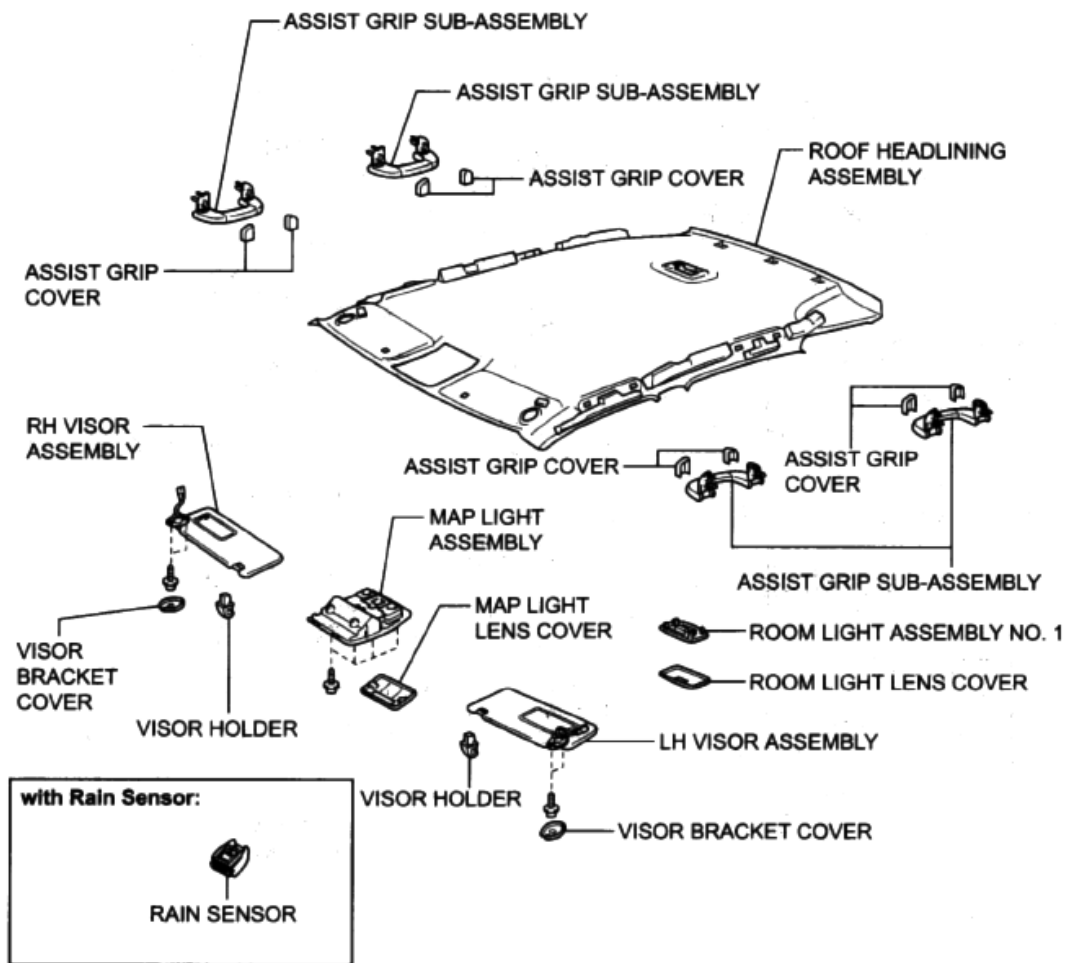
**N\*m (kgf\*cm, ft.\*lbf)** : Specified torque

0

8119148E06

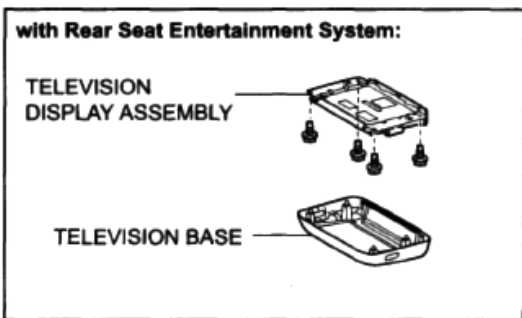
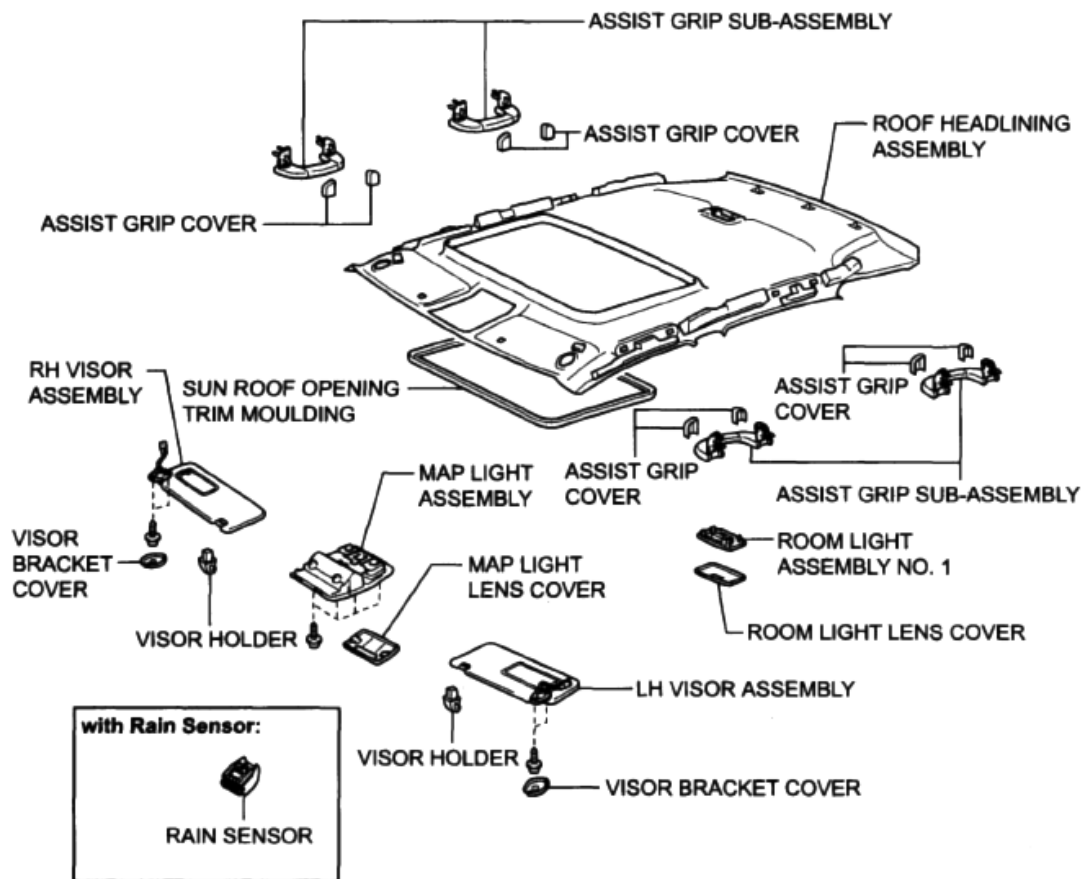
**Fig. 3: Identifying Roof Headlining Replacement Components With Torque Specifications (3 Of 11)**  
Courtesy of TOYOTA MOTOR SALES, U.S.A., INC.

without Sliding Roof:



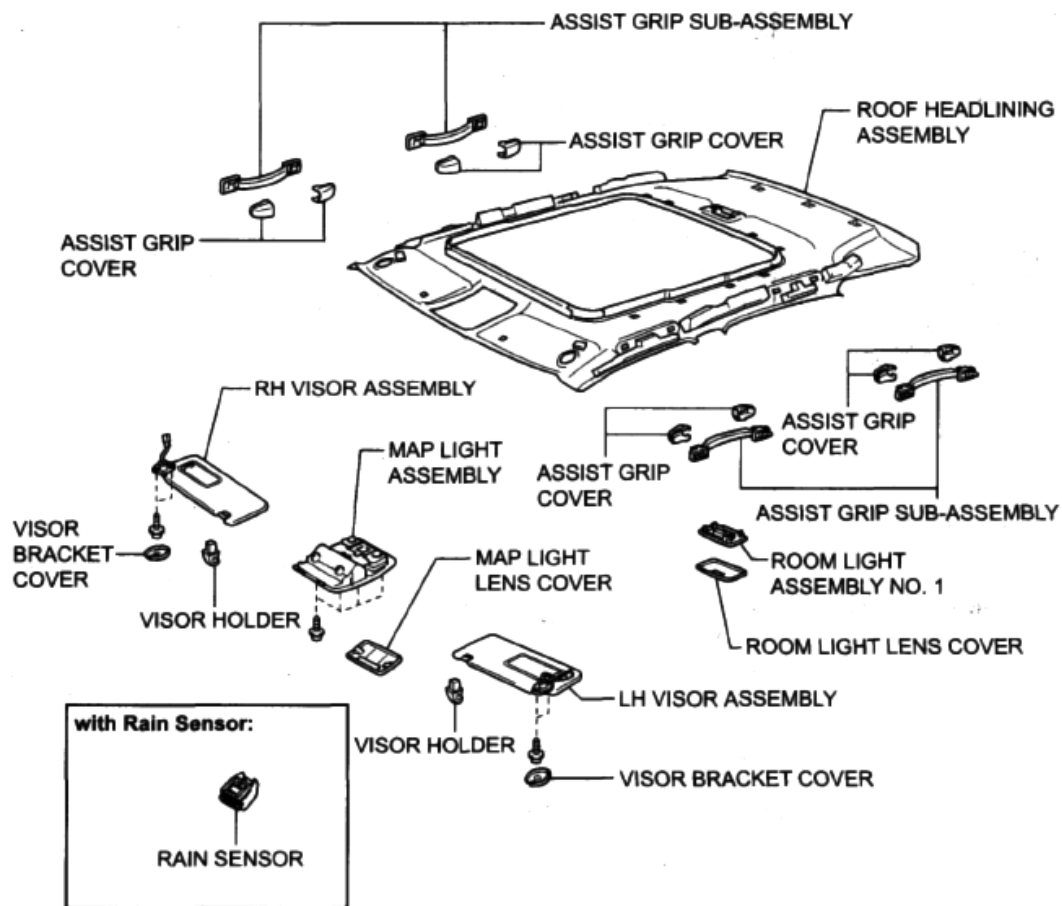
**Fig. 4: Identifying Roof Headlining Replacement Components (4 Of 11)**  
 Courtesy of TOYOTA MOTOR SALES, U.S.A., INC.

with Sliding Roof (Standard Type):



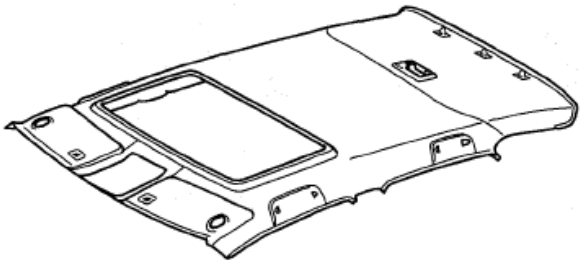
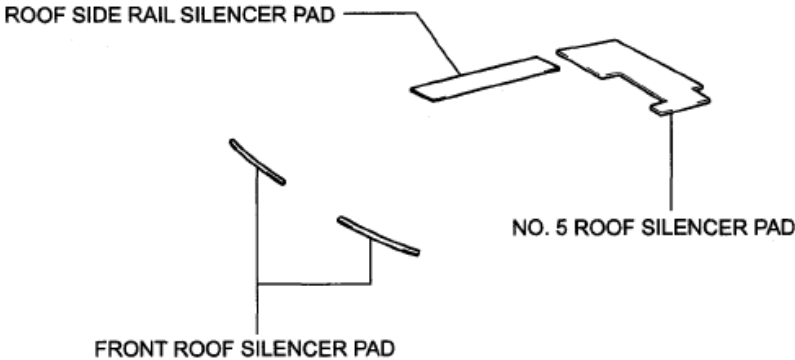
**Fig. 5: Identifying Roof Headlining Replacement Components (5 Of 11)**  
 Courtesy of TOYOTA MOTOR SALES, U.S.A., INC.

with Sliding Roof (Multi-panel Moon Roof Type):



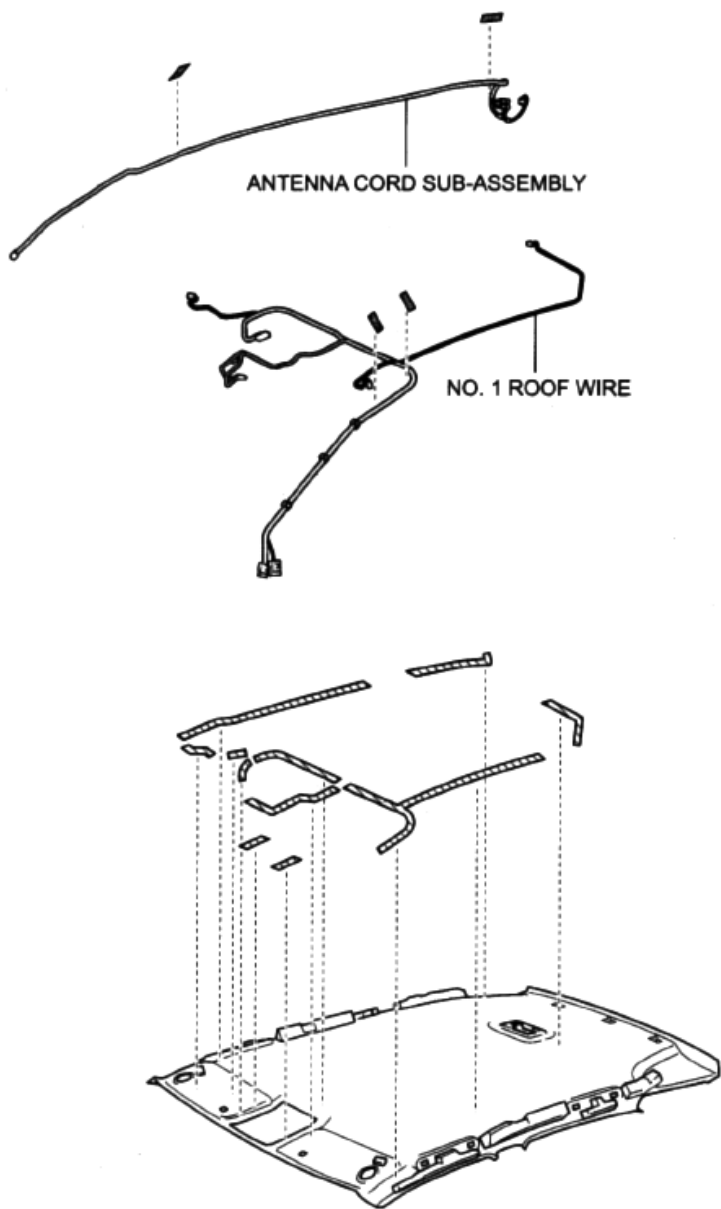
**Fig. 6: Identifying Roof Headlining Replacement Components (6 Of 11)**  
Courtesy of TOYOTA MOTOR SALES, U.S.A., INC.

for TMMK made:



**Fig. 7: Identifying Roof Headlining Replacement Components (7 Of 11)**  
Courtesy of TOYOTA MOTOR SALES, U.S.A., INC.

without Sliding Roof:



- Adhesive Tape
- ▨ Double-sided Tape

P

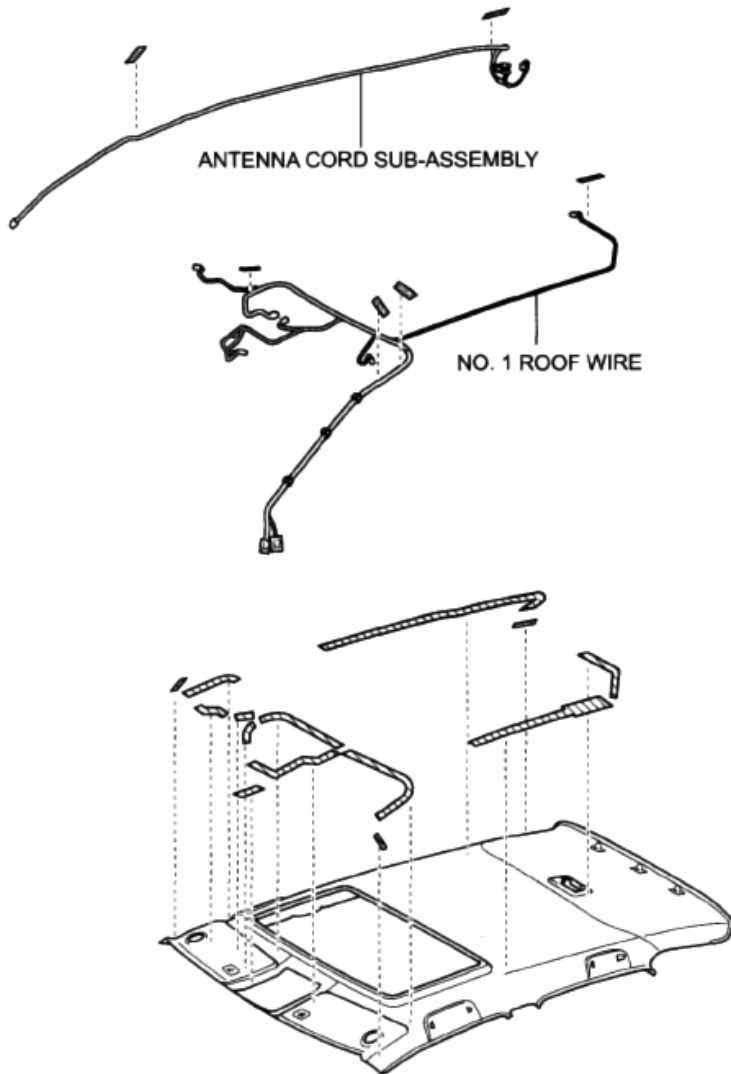
B13050E01

**Fig. 8: Identifying Roof Headlining Replacement Components (8 Of 11)**  
Courtesy of TOYOTA MOTOR SALES, U.S.A., INC.



with Sliding Roof (Standard Type):

for TMC made:



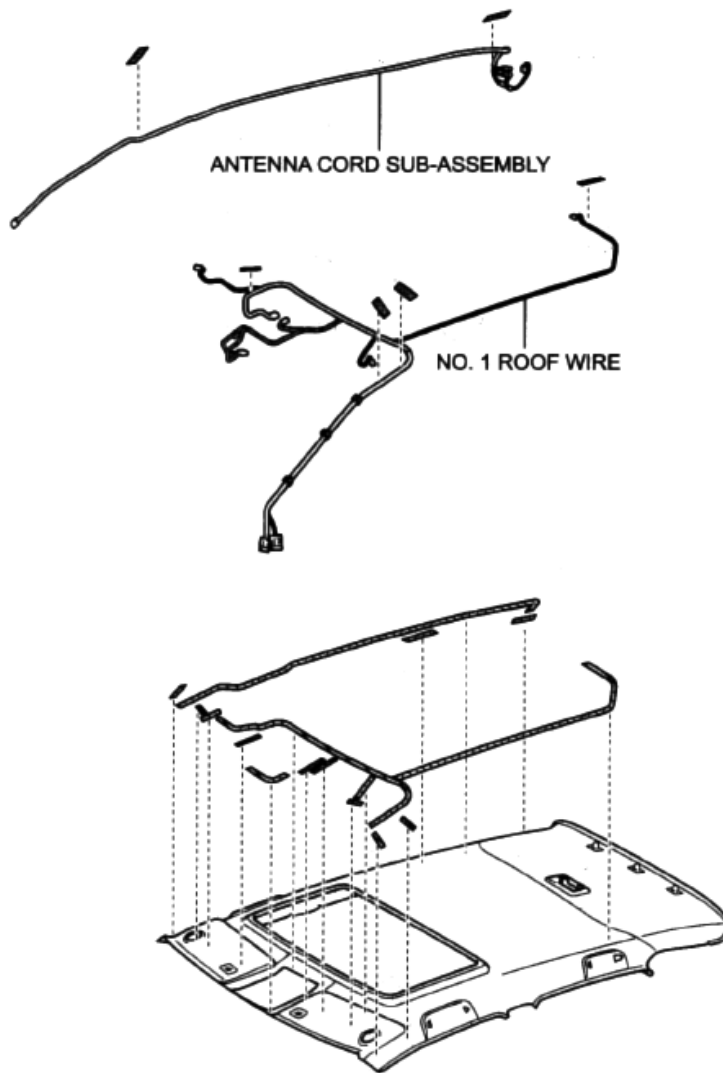
- Adhesive Tape
- ▨ Double-sided Tape

P

8139552E01

**Fig. 9: Identifying Roof Headlining Replacement Components (9 Of 11)**  
Courtesy of TOYOTA MOTOR SALES, U.S.A., INC.

for TMMK made:



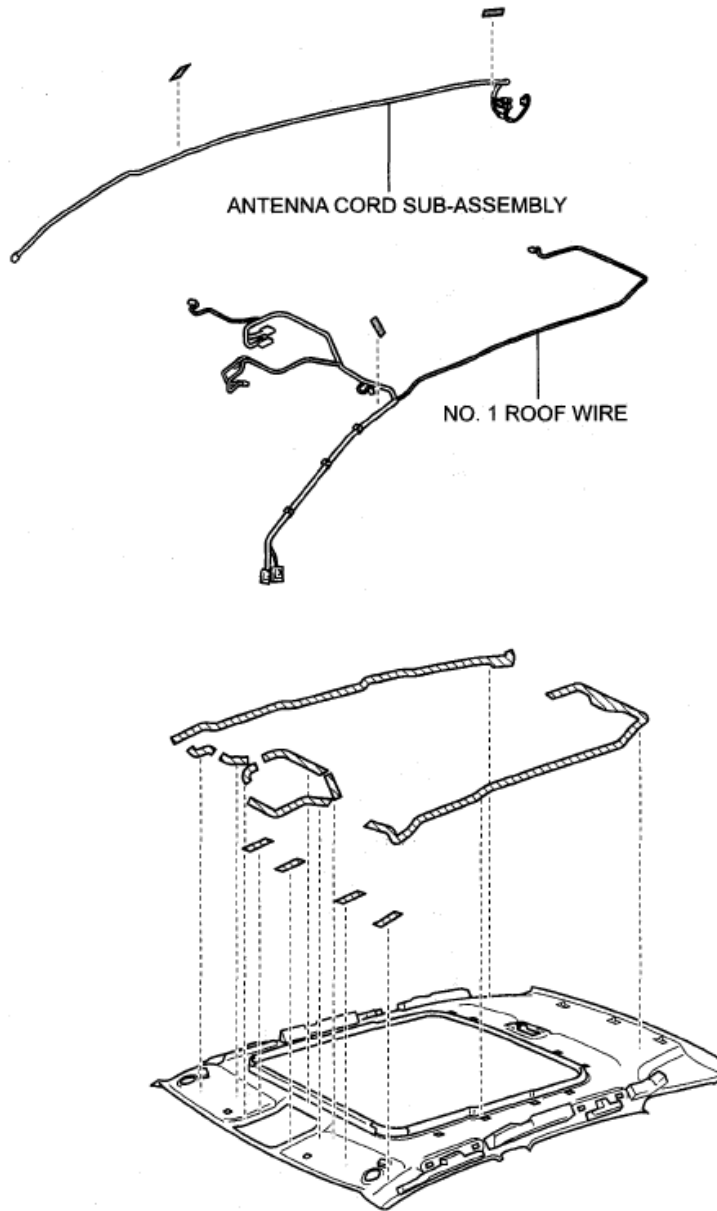
- Adhesive Tape
- ▨ Double-sided Tape

P

8129548E01

**Fig. 10: Identifying Roof Headlining Replacement Components (10 Of 11)**  
Courtesy of TOYOTA MOTOR SALES, U.S.A., INC.

with Sliding Roof (Multi-panel Moon Roof Type):



- Adhesive Tape
- ▨ Double-sided Tape

P

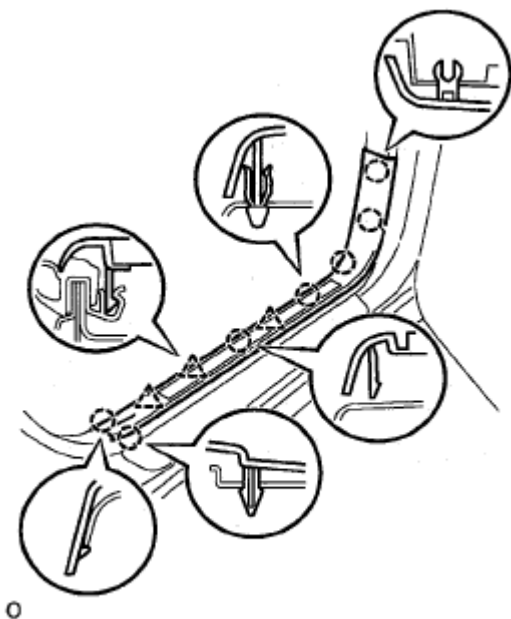
B139551E01

**Fig. 11: Identifying Roof Headlining Replacement Components (11 Of 11)**  
Courtesy of TOYOTA MOTOR SALES, U.S.A., INC.

**REMOVAL**

**1. REMOVE FRONT DOOR SCUFF PLATE RH**

- a. Using a screwdriver, disengage the 7 claws and 3 clips, and remove the scuff plate.



7808792

**Fig. 12: Identifying Claws & Clips On Front Door Scuff Plate RH**  
Courtesy of TOYOTA MOTOR SALES, U.S.A., INC.

HINT:

Tape the screwdriver tip before use.

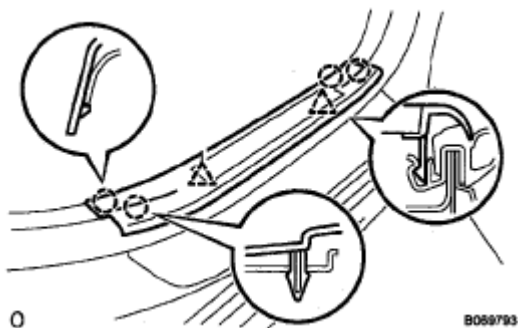
**2. REMOVE FRONT DOOR SCUFF PLATE LH**

HINT:

Use the same procedures described for the RH side.

**3. REMOVE REAR DOOR SCUFF PLATE RH**

- a. Using a screwdriver, disengage the 4 claws and 2 clips, and remove the scuff plate.



**Fig. 13: Identifying Claws & Clips On Rear Door Scuff Plate RH**  
 Courtesy of TOYOTA MOTOR SALES, U.S.A., INC.

HINT:

Tape the screwdriver tip before use.

**4. REMOVE REAR DOOR SCUFF PLATE LH**

HINT:

Use the same procedures described for the RH side.

**5. REMOVE FRONT DOOR OPENING TRIM WEATHERSTRIP RH**

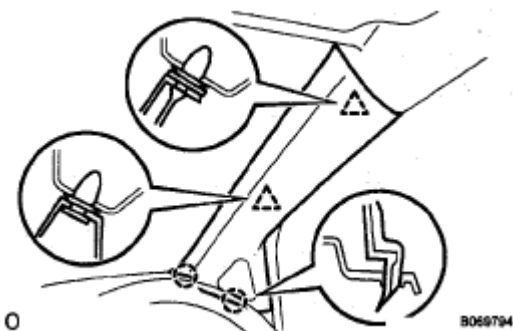
**6. REMOVE FRONT DOOR OPENING TRIM WEATHERSTRIP LH**

**7. REMOVE REAR DOOR OPENING TRIM WEATHERSTRIP RH**

**8. REMOVE REAR DOOR OPENING TRIM WEATHERSTRIP LH**

**9. REMOVE FRONT PILLAR GARNISH RH**

- a. Using a screwdriver, disengage the 2 claws and 2 clips and remove the garnish by pulling it up.



**Fig. 14: Identifying Claws & Clips On Front Pillar Garnish RH**  
 Courtesy of TOYOTA MOTOR SALES, U.S.A., INC.

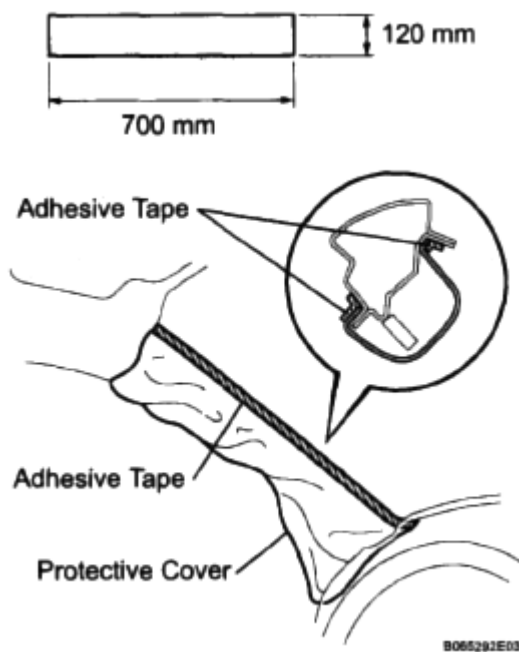
HINT:

Tape the screwdriver tip before use.

**NOTE:** Removing the garnish damages the upper clip. When installing the garnish, use a new clip instead of the damaged clip.

- b. Pull the garnish upward, and remove it from the instrument panel.
- c. with Curtain shield airbag:

Protect the curtain shield airbag.



**Fig. 15: Identifying Curtain Shield Airbag**  
Courtesy of TOYOTA MOTOR SALES, U.S.A., INC.

1. Thoroughly cover the airbag with cloth or nylon of 700 mm (27.56 in.) x 120 mm (4.72 in.) and fix the ends of the cover with adhesive tape.

**NOTE:** Cover the curtain shield airbag with the protection cover as soon as the front pillar garnish is removed.

## 10. REMOVE FRONT PILLAR GARNISH LH

HINT:

Use the same procedures described for the RH side.

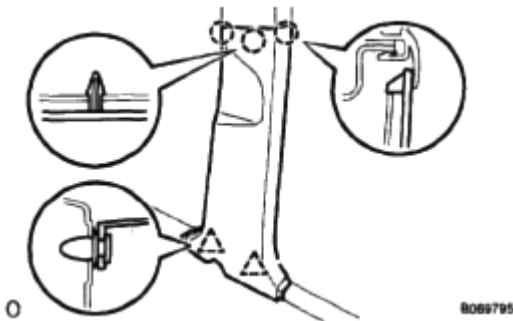
## 11. REMOVE CENTER PILLAR GARNISH LOWER LH

HINT:

Use the same procedures described for the RH side.

## 12. REMOVE CENTER PILLAR GARNISH LOWER RH

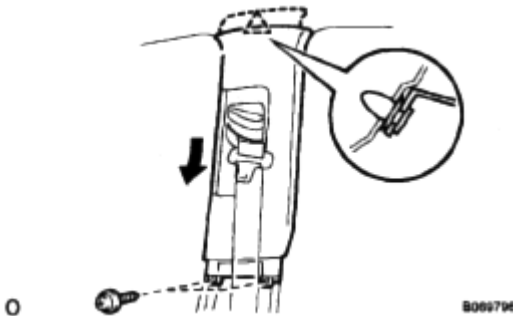
- a. Remove the floor anchor cover.
- b. Remove the bolt and the front seat outer belt on the floor anchor side.
- c. Disengage the 3 clips and 2 claws, and remove the center pillar garnish.



**Fig. 16: Identifying Clips & Claws On Center Pillar Garnish**  
Courtesy of TOYOTA MOTOR SALES, U.S.A., INC.

## 13. REMOVE CENTER PILLAR GARNISH RH

- a. Remove the 2 screws.
- b. Disengage the claw and remove the center pillar garnish by pulling it down.



**Fig. 17: Identifying Center Pillar Garnish**  
Courtesy of TOYOTA MOTOR SALES, U.S.A., INC.

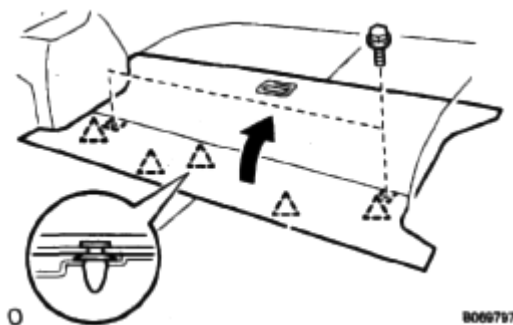
## 14. REMOVE CENTER PILLAR GARNISH LH

HINT:

Use the same procedures described for the RH side.

## 15. REMOVE REAR SEAT TRACK BRACKET COVER (See **REMOVAL** )

16. **REMOVE REAR SEAT ASSEMBLY LH** (See REMOVAL )
17. **REMOVE REAR SEAT TRACK BRACKET COVER** (See REMOVAL )
18. **REMOVE REAR SEAT ASSEMBLY RH** (See REMOVAL )
19. **REMOVE TONNEAU COVER ASSEMBLY**
20. **REMOVE DECK BOARD SUB-ASSEMBLY**
  - a. Disengage the 5 clips and turn up the front side of the deck board sub-assembly.
  - b. Remove the 2 bolts and deck board sub-assembly.



**Fig. 18: Identifying Deck Board Sub-Assembly Clips And Bolts**  
 Courtesy of TOYOTA MOTOR SALES, U.S.A., INC.

21. **REMOVE DECK FLOOR BOX FRONT**
  - a. Using a clip remover, remove the 2 clips and deck floor box.
22. **REMOVE DECK FLOOR BOX REAR**
  - a. Using a clip remover, remove the 2 clips and deck floor box.
23. **REMOVE DECK BOARD SUB-ASSEMBLY NO. 2**
  - a. Remove the 4 nuts and deck board.
24. **REMOVE DECK BOARD SUB-ASSEMBLY NO. 3**
  - a. Remove the 2 nuts and deck board.
25. **REMOVE BACK DOOR WEATHERSTRIP**
26. **REMOVE DECK SIDE TRIM BOX RH**
  - a. Remove the clip.
  - b. Using a clip remover, remove the 2 clips and deck side trim box.
27. **REMOVE DECK SIDE TRIM BOX LH**

HINT:

Use the same procedures described for the RH side.

28. **REMOVE REAR FLOOR FINISH PLATE**
  - a. Using a clip remover, remove the 2 clips and finish plate.



**29. REMOVE REAR FLOOR FINISH SIDE PLATE RH**

- a. Using a clip remover, remove the clip.
- b. Using a screwdriver, disengage the 2 clips and remove the floor finish side plate.



**Fig. 19: Identifying Clips On Floor Finish Side Plate**  
Courtesy of TOYOTA MOTOR SALES, U.S.A., INC.

HINT:

Tape the screwdriver tip before use.

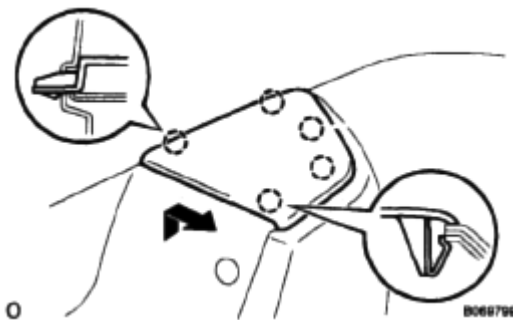
**30. REMOVE REAR FLOOR FINISH SIDE PLATE LH**

HINT:

Use the same procedures described for the RH side.

**31. REMOVE DECK SIDE TRIM COVER RH**

- a. Using a molding remover, disengage the 5 claws and remove the trim cover by pulling it to the inside of the vehicle.



**Fig. 20: Identifying Deck Side Trim Cover Claws**  
Courtesy of TOYOTA MOTOR SALES, U.S.A., INC.

**32. REMOVE DECK SIDE TRIM COVER LH**

HINT:

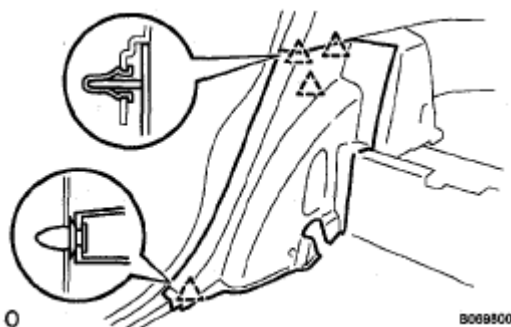
Use the same procedures described for the RH side.

### 33. REMOVE REAR SEAT SIDE COVER RH

- a. Remove the bolt and belt on the floor anchor side.
- b. Using a clip remover, remove the 2 clips.
- c. Using a screwdriver, disengage the 4 clips and remove the side cover.

HINT:

Tape the screwdriver tip before use.



**Fig. 21: Identifying Clips On Rear Seat Side Cover RH**  
 Courtesy of TOYOTA MOTOR SALES, U.S.A., INC.

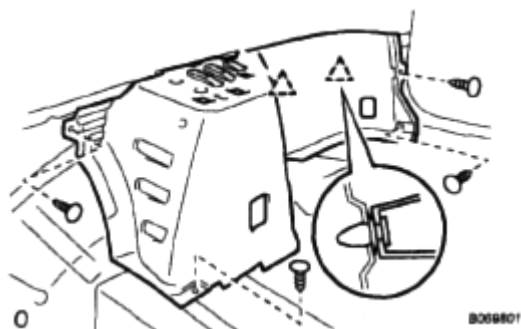
### 34. REMOVE REAR SEAT SIDE COVER LH

HINT:

Use the same procedures described for the RH side.

### 35. REMOVE ROPE HOOK

- a. Remove the 4 bolts and 4 hooks.



**Fig. 22: Identifying Rope Hook With Bolts**

Courtesy of TOYOTA MOTOR SALES, U.S.A., INC.

**36. REMOVE DECK TRIM SIDE PANEL ASSEMBLY RH**

- a. Using a clip remover, remove the 4 clips.
- b. Using a screwdriver, disengage the 2 clips and remove the side panel.

HINT:

Tape the screwdriver tip before use.

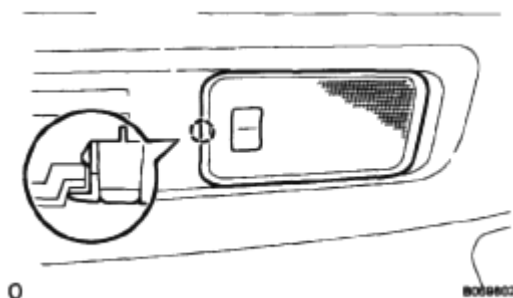
**37. REMOVE DECK TRIM SIDE PANEL ASSEMBLY LH**

HINT:

Use the same procedures described for the RH side.

**38. REMOVE ROOM LIGHT ASSEMBLY NO. 2**

- a. Using a screwdriver, disengage the clip and remove the room light.



**Fig. 23: Identifying Room Light Assembly With Clip**  
Courtesy of TOYOTA MOTOR SALES, U.S.A., INC.

HINT:

Tape the screwdriver tip before use.

- b. Disconnect the room light connector.

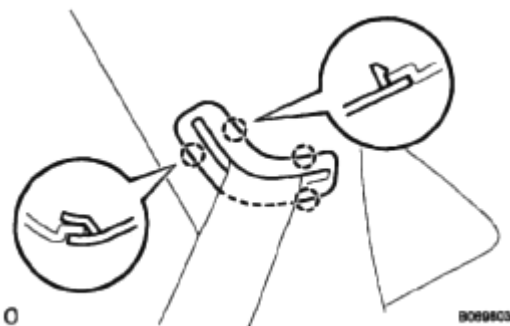
**39. REMOVE ROOF SIDE GARNISH ASSEMBLY INNER RH**

- a. Using a screwdriver, disengage the claws and remove the bezel.

HINT:

Tape the screwdriver tip before use.

- b. Using a screwdriver, disengage the claws and remove the hole cover.

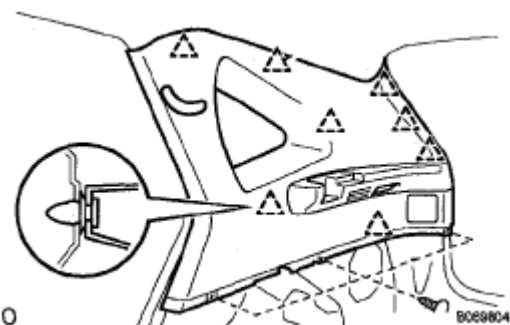


**Fig. 24: Identifying Claws On Hole Cover**  
 Courtesy of TOYOTA MOTOR SALES, U.S.A., INC.

HINT:

Tape the screwdriver tip before use.

- c. Remove the 3 bolts.
- d. Using a clip remover, remove the 3 clips.
- e. Using a screwdriver, disengage the 8 clips and remove the roof side garnish.



**Fig. 25: Identifying Clips On Roof Side Garnish**  
 Courtesy of TOYOTA MOTOR SALES, U.S.A., INC.

HINT:

Tape the screwdriver tip before use.

**40. REMOVE ROOF SIDE GARNISH ASSEMBLY INNER LH**

HINT:

Use the same procedures described for the RH side.

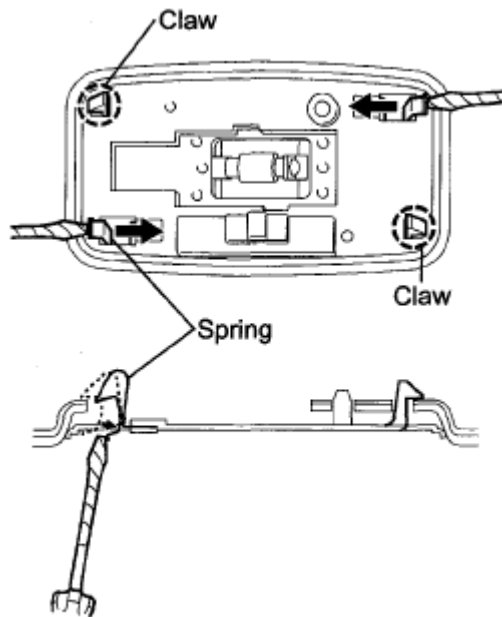
**41. REMOVE ROOM LIGHT ASSEMBLY NO. 1**

- a. Using a screwdriver, remove the lens cover.

HINT:

Tape the screwdriver tip before use.

- b. Using a screwdriver, disengage the 4 claws and remove the room light.



1

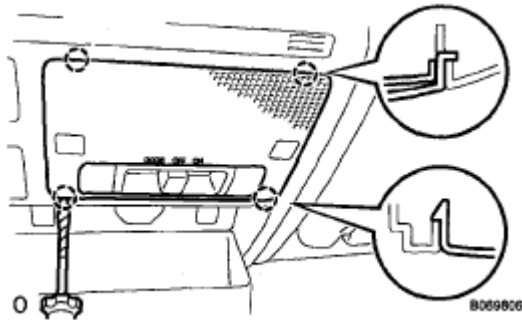
B069805E02

**Fig. 26: Identifying Room Light Assembly No.1**  
 Courtesy of TOYOTA MOTOR SALES, U.S.A., INC.

HINT:

Tape the screwdriver tip before use.

- c. Disconnect the room light connector.
42. **REMOVE RAIN SENSOR (w/ Rain Sensor)** (See **REMOVAL** )
43. **REMOVE MAP LIGHT ASSEMBLY**
- a. Using a screwdriver, disengage the 4 claws and remove the lens cover.



**Fig. 27: Disengaging Claws & Removing Lens Cover**  
 Courtesy of TOYOTA MOTOR SALES, U.S.A., INC.

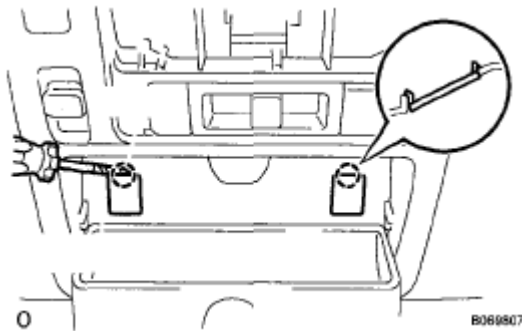
HINT:

Tape the screwdriver tip before use.

- b. Using a screwdriver, disengage the 2 claws and remove the cap.

HINT:

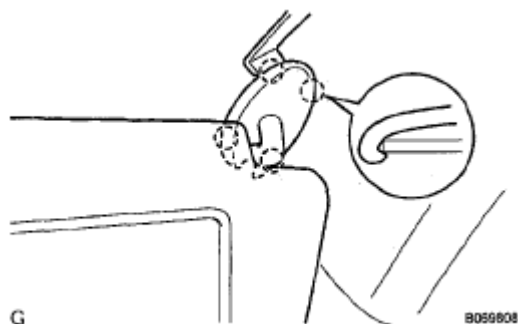
Tape the screwdriver tip before use.



**Fig. 28: Disengaging Cap Claws**  
 Courtesy of TOYOTA MOTOR SALES, U.S.A., INC.

- c. Remove the 4 screws.
- d. Disconnect the map light connector and remove the map light.

**44. REMOVE RH VISOR ASSEMBLY**



**Fig. 29: Disengaging Claws & Removing Visor Bracket Cover**  
Courtesy of TOYOTA MOTOR SALES, U.S.A., INC.

- a. Using a molding remover, disengage the 4 claws and remove the visor bracket cover.
- b. Remove the 2 screws.
- c. Disconnect the connector and remove the visor.

**45. REMOVE L H VISOR ASSEMBLY**

HINT:

Use the same procedures described for the RH side.

**46. REMOVE ASSIST GRIP SUB-ASSEMBLY**

- a. Using a screwdriver, disengage the 6 claws and remove the assist grip covers.

HINT:

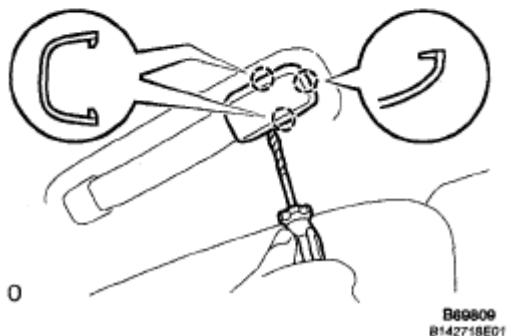
Tape the screwdriver tip before use.

**with Sliding Roof (Standard Type):**

**without Sliding Roof:**



**with Sliding Roof (Multi-panel Moon Roof Type):**



**Fig. 30: Identifying Assist Grip Sub-Assembly**  
 Courtesy of TOYOTA MOTOR SALES, U.S.A., INC.

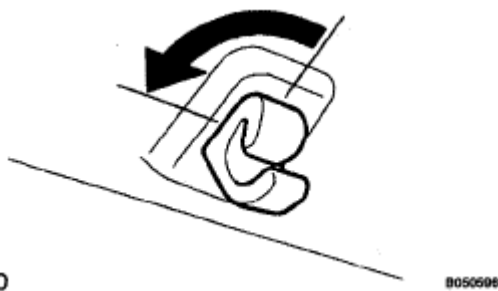
- b. Remove the 2 screws and assist grip.

HINT:

When removing the assist grip, be careful not to separate the screws from the assist grip.

**47. REMOVE VISOR HOLDER**

- a. Remove the holder of the sun visor by turning it counterclockwise.



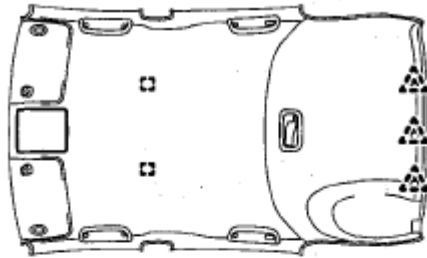


**Fig. 31: Identifying Holder Of Sun Visor**

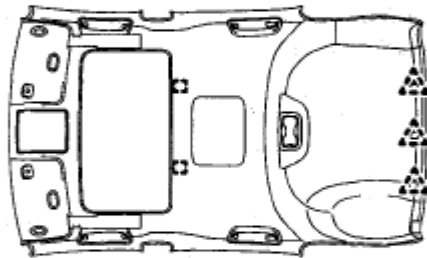
Courtesy of TOYOTA MOTOR SALES, U.S.A., INC.

48. **REMOVE SUN ROOF OPENING TRIM MOLDING (w/ Sliding Roof)**
49. **REMOVE TELEVISION BASE (w/ Rear Seat Entertainment System) (See REMOVAL )**
50. **REMOVE TELEVISION DISPLAY ASSEMBLY (w/ Rear Seat Entertainment System) (See REMOVAL )**
51. **REMOVE ROOF HEADLINING ASSEMBLY**
  - a. without Sliding Roof:
    1. Disengage the 3 clips and 2 fasteners and remove the roof headlining assembly
  - b. with Sliding Roof (Standard Type):
    1. Disengage the 3 clips and 2 fasteners and remove the roof headlining assembly
  - c. with Sliding Roof (Multi-panel Moon Roof Type):
    1. Disengage the 3 clips and 12 fasteners and remove the roof headlining assembly.

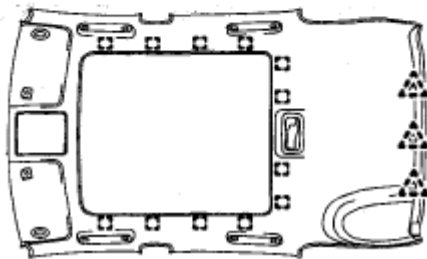
**without Sliding Roof:**




**with Sliding Roof (Standard Type):**



**with Sliding Roof (Multi-panel Moon Roof Type):**

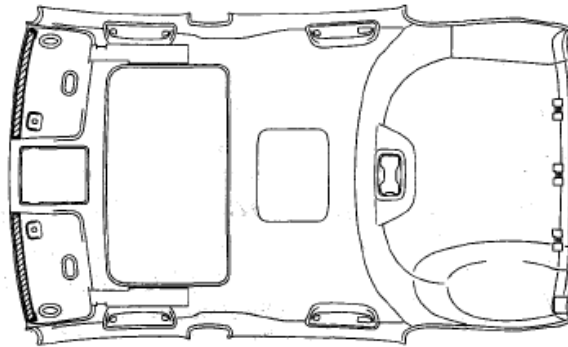


 Fasteners  
P

B139639E01

**Fig. 32: Identifying Clips & Fasteners On Roof Headlining Assembly**  
Courtesy of TOYOTA MOTOR SALES, U.S.A., INC.

52. **REMOVE FRONT ROOF SILENCER PAD (for TMMK Made)**
  - a. Remove the 2 front roof silencer pads from the roof headlining assembly.



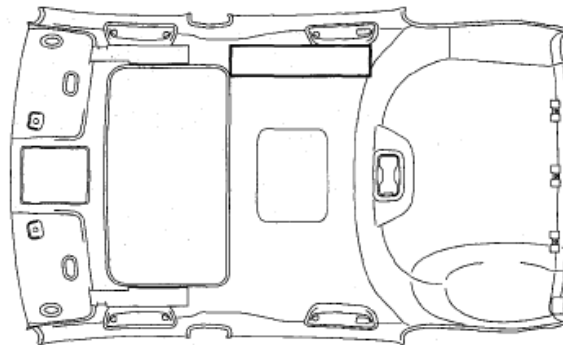
P

B132140

**Fig. 33: Identifying Front Roof Silencer Pad (For TMMK Made)**  
Courtesy of TOYOTA MOTOR SALES, U.S.A., INC.

**53. REMOVE ROOF SIDE RAIL SILENCER PAD (for TMMK Made)**

- a. Remove the roof side rail silencer pad from the roof headlining assembly.



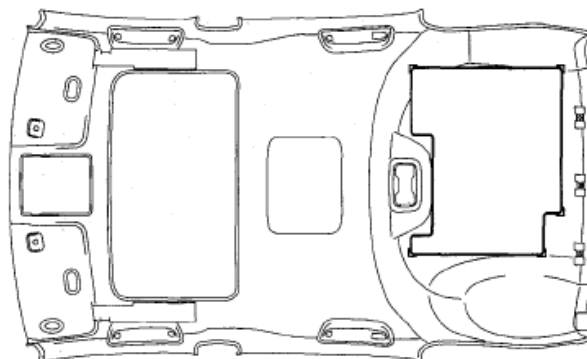
P

B132147

**Fig. 34: Identifying Roof Side Rail Silencer Pad (For TMMK Made)**  
Courtesy of TOYOTA MOTOR SALES, U.S.A., INC.

**54. REMOVE NO. 5 ROOF SILENCER PAD (for TMMK Made)**

- a. Remove the No. 5 roof silencer pad from the roof headlining assembly.



P

B130546

**Fig. 35: Identifying No. 5 Roof Silencer Pad (For TMMK Made)**  
 Courtesy of TOYOTA MOTOR SALES, U.S.A., INC.

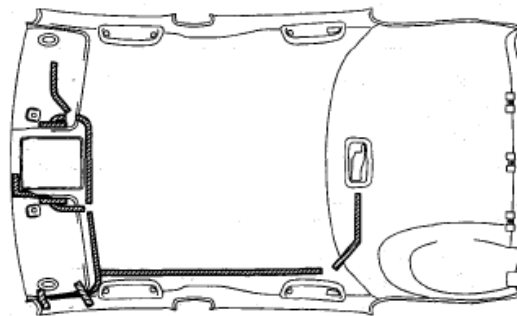
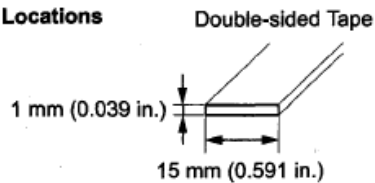
55. REMOVE RADIO ANTENNA CORD (See **REMOVAL** )
56. REMOVE NO. 1 ROOF WIRE
  - a. Remove the adhesive tape from the roof headlining assembly.
  - b. Remove the roof wire from the roof headlining assembly.
  - c. Remove the double adhesive tape from the roof headlining assembly.

## INSTALLATION

### 1. INSTALL NO. 1 ROOF WIRE

- a. without Sliding Roof:
  1. Remove the backing sheet on the double-sided tape without allowing the tape to touch the contact surface.
  2. Apply new double-sided tape to locations shown below after aligning the tape with the marking of the roof headlining.

#### Reference: Tape Attachment Locations



P

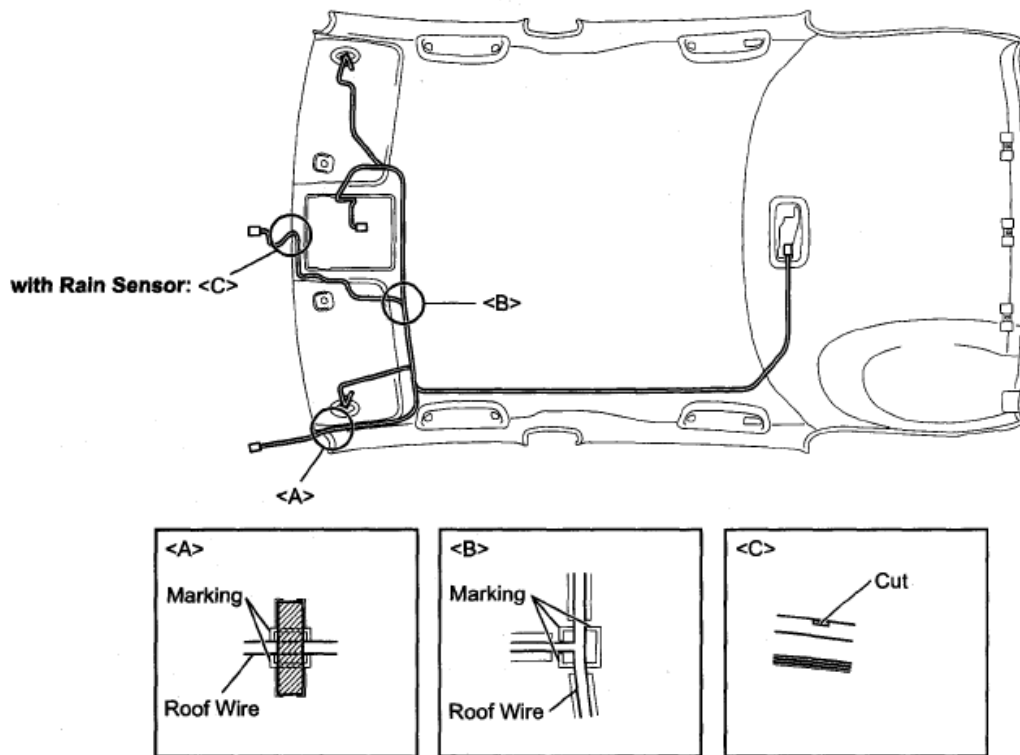
B130555E01

**Fig. 36: Identifying Double-Sided Tape Attachment Location With Specified Dominions**  
 Courtesy of TOYOTA MOTOR SALES, U.S.A., INC.

**NOTE:** Securely apply the double-sided tape to prevent the tape from being out of alignment and peeling off.

3. Attach the No. 1 roof wire along the double-sided tape so that the marking surface of the wire harness faces downward.

**Reference: Tape Attachment Locations**



P

8139559E01

**Fig. 37: Identifying Double-Sided Tape Attachment Location With Marking Surface Position Of Wire Harness**

Courtesy of TOYOTA MOTOR SALES, U.S.A., INC.

**NOTE:**

- Securely attach the No. 1 roof wire.
- Do not allow the No. 1 roof wire to sit loosely. Doing so may cause abnormal noise.

b. with Sliding Roof (Standard Type) / for TMC made:

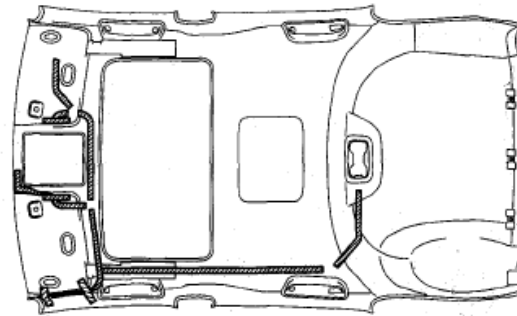
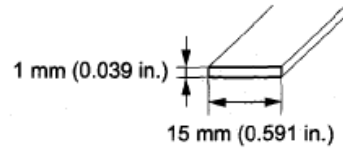
1. Remove the backing sheet on the double-sided tape without allowing the tape to touch the contact surface.
2. Apply new double-sided tape to locations shown below after aligning the tape with the marking of the roof headlining.

## 2008 Lexus RX 350

2008 ACCESSORIES & EQUIPMENT Interior - RX 350

Reference: Tape Attachment Locations

Double-sided Tape



P

B13663ED1

**Fig. 38: Identifying Double-Sided Tape Attachment Location With Specified Dominions**  
Courtesy of TOYOTA MOTOR SALES, U.S.A., INC.

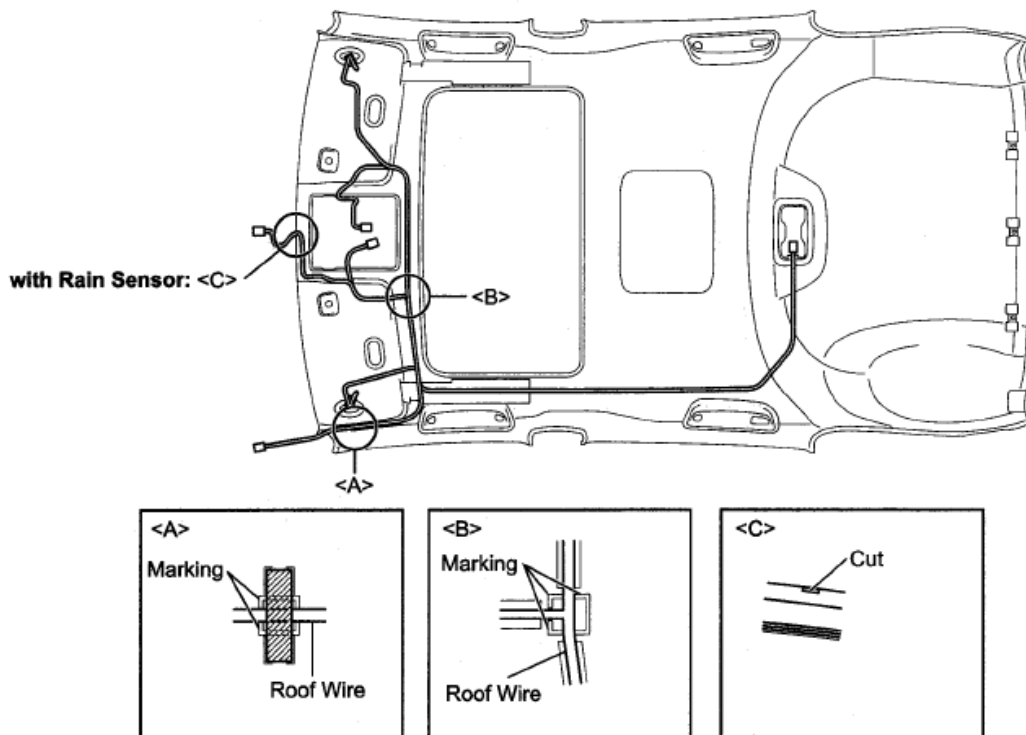
**NOTE:** Securely apply the double-sided tape to prevent the tape from being out of alignment and peeling off.

3. Attach the No. 1 roof wire along the double-sided tape so that the marking surface of the wire harness faces downward.

## 2008 Lexus RX 350

2008 ACCESSORIES & EQUIPMENT Interior - RX 350

### Reference: Tape Attachment Locations



P

B130564E01

**Fig. 39: Identifying Double-Sided Tape Attachment Location With Marking Surface Position Of Wire Harness**

Courtesy of TOYOTA MOTOR SALES, U.S.A., INC.

#### NOTE:

- Securely attach the No. 1 roof wire.
- Do not allow the No. 1 roof wire to sit loosely. Doing so may cause abnormal noise.

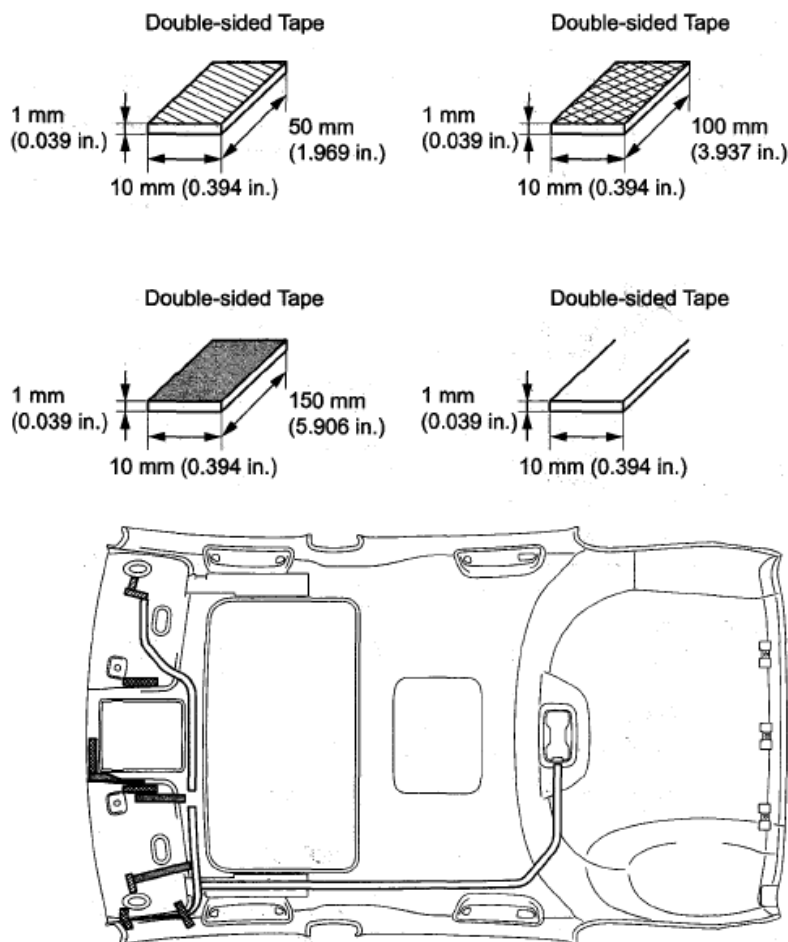
c. for TMMK made:

1. Remove the backing sheet on the double-sided tape without allowing the tape to touch the contact surface.
2. Apply new double-sided tape to locations shown below after aligning the tape with the marking of the roof headlining.

## 2008 Lexus RX 350

### 2008 ACCESSORIES & EQUIPMENT Interior - RX 350

#### Reference: Tape Attachment Locations



**Fig. 40: Identifying Double-Sided Tape Attachment Location With Specified Dimension**  
Courtesy of TOYOTA MOTOR SALES, U.S.A., INC.

**NOTE:** Securely apply the double-sided tape to prevent the tape from being out of alignment and peeling off.

3. Attach the No. 1 roof wire along the double-sided tape so that the marking surface of the wire harness faces downward.

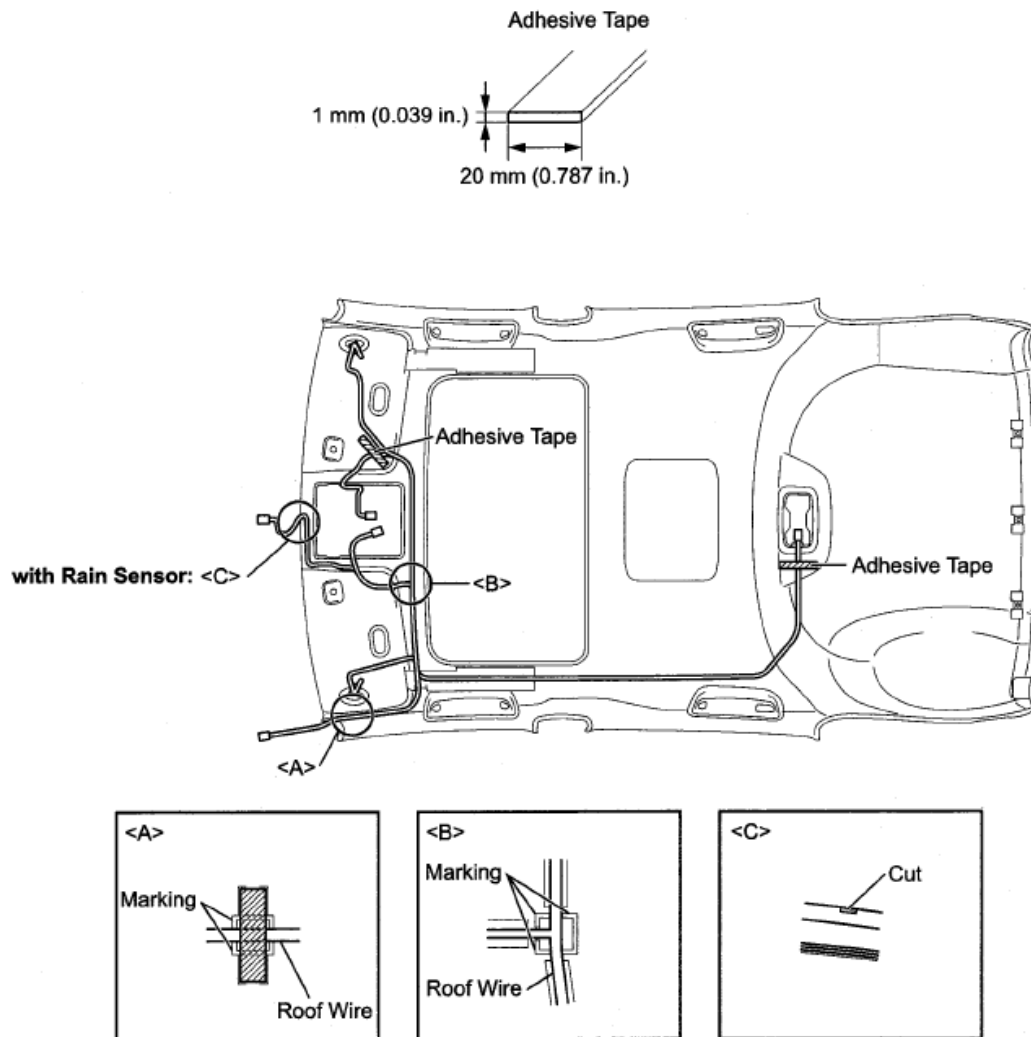
**NOTE:**

- Securely attach the No. 1 roof wire.
- Do not allow the No. 1 roof wire to sit loosely. Doing so may cause abnormal noise.

4. Apply adhesive tape to locations shown below.



Reference: Tape Attachment Locations



P

B132151E01

**Fig. 41: Identifying Adhesive Tape Location**  
 Courtesy of TOYOTA MOTOR SALES, U.S.A., INC.

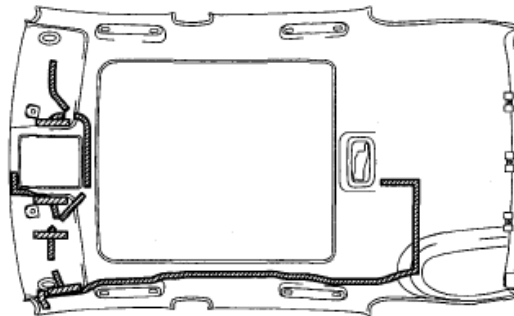
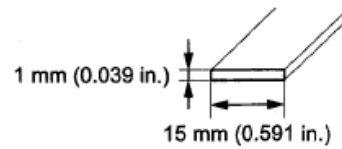
- d. with Sliding Roof (Multi-panel Moon Roof Type):
  1. Remove the backing sheet on the double-sided tape without allowing the tape to touch the contact surface.
  2. Apply new double-sided tape to locations shown below after aligning the tape with the marking of the roof headlining.

## 2008 Lexus RX 350

2008 ACCESSORIES & EQUIPMENT Interior - RX 350

**Reference: Tape Attachment Locations**

**Double-sided Tape**



P

B130657E01

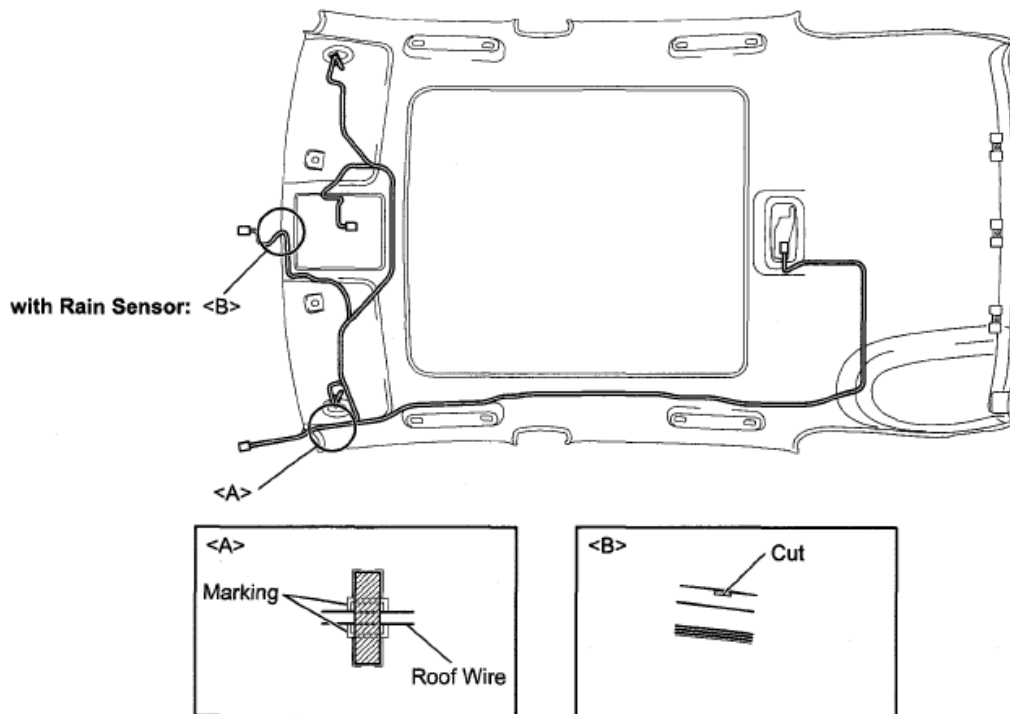
**Fig. 42: Identifying Tape Attachment Location**

Courtesy of TOYOTA MOTOR SALES, U.S.A., INC.

**NOTE:** Securely apply the double-sided tape to prevent the tape from being out of alignment and peeling off.

3. Attach the No. 1 roof wire along the double-sided tape so that the marking surface of the wire harness faces downward.

Reference: Tape Attachment Locations



P

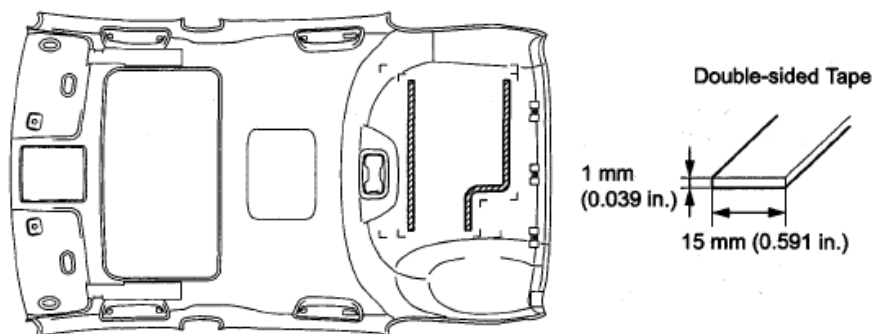
B130558E01

**Fig. 43: Identifying Tape Attachment Location On No. 1 Roof Wire**  
 Courtesy of TOYOTA MOTOR SALES, U.S.A., INC.

**NOTE:**

- Securely attach the No. 1 roof wire.
- Do not allow the No. 1 roof wire to sit loosely. Doing so may cause abnormal noise.

2. **INSTALL RADIO ANTENNA CORD** (See INSTALLATION )
3. **INSTALL NO. 5 ROOF SILENCER PAD** (for TMMK Made)
  - a. Remove the backing sheet on the double-sided tape without allowing the tape to touch the contact surface.
  - b. Apply new double-sided tape to locations shown below after aligning the tape with the marking of the roof headlining.

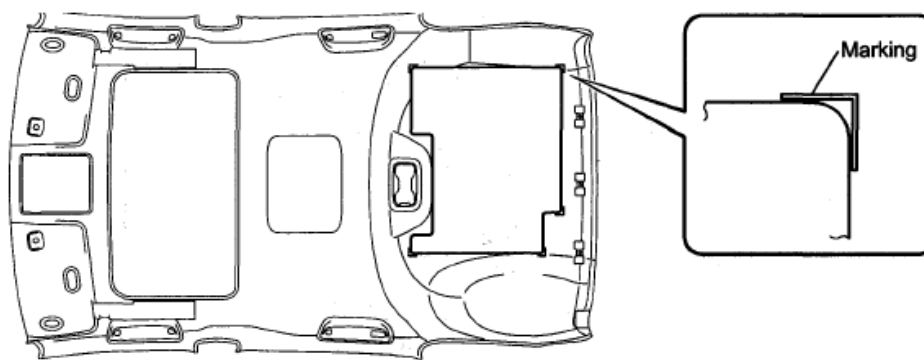


P

B132145E01

**Fig. 44: Identifying Double-Sided Tape Location On Roof Headlining**  
 Courtesy of TOYOTA MOTOR SALES, U.S.A., INC.

- c. Align the markings on the roof headlining assembly with the No. 5 roof silencer pad and install the No. 5 roof silencer pad.



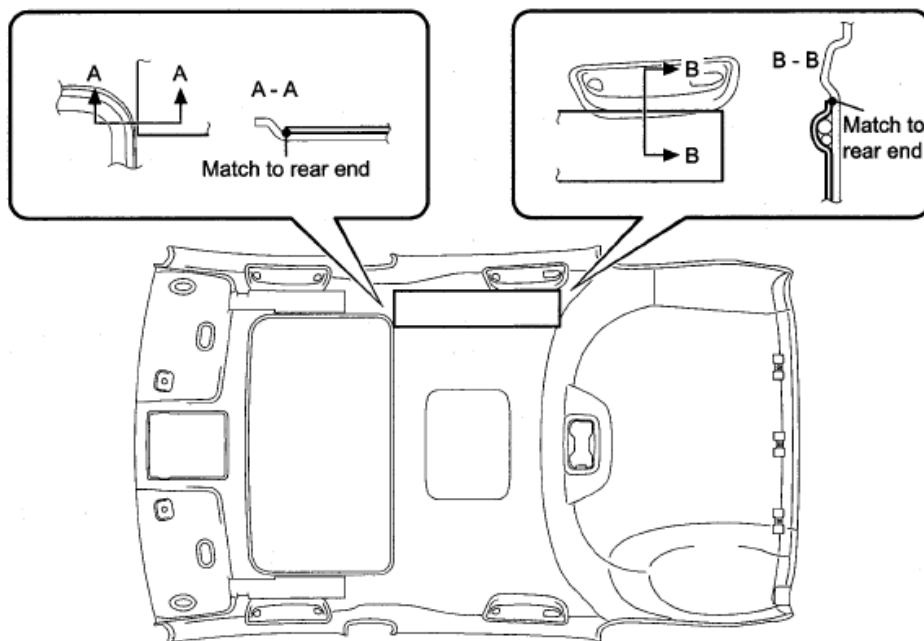
P

B132144E01

**Fig. 45: Identifying Markings On Roof Headlining Assembly With No.5 Roof Silencer Pad**  
 Courtesy of TOYOTA MOTOR SALES, U.S.A., INC.

**4. INSTALL ROOF SIDE RAIL SILENCER PAD (for TMMK Made)**

- a. Align the markings on the roof headlining assembly with the roof side rail silencer pad and install the roof side rail silencer pad.



P

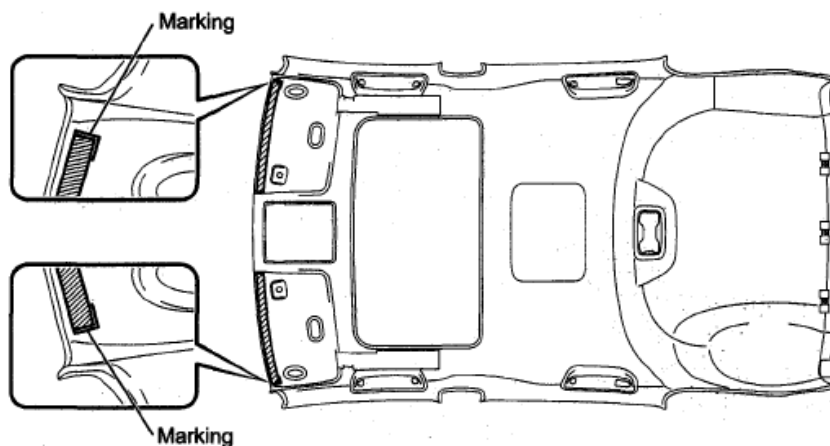
B132148E01

**Fig. 46: Identifying Markings On Roof Headlining Assembly With Roof Side Rail Silencer Pad**

Courtesy of TOYOTA MOTOR SALES, U.S.A., INC.

**5. INSTALL FRONT ROOF SILENCER PAD (for TMMK Made)**

- a. Align the markings on the roof headlining assembly with the roof silencer pad and install the roof silencer pad.



P

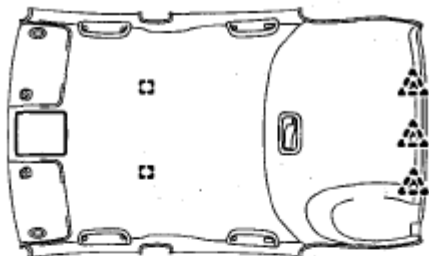
B132148E01

**Fig. 47: Identifying Markings On Roof Headlining Assembly With Roof Silencer Pad**  
 Courtesy of TOYOTA MOTOR SALES, U.S.A., INC.

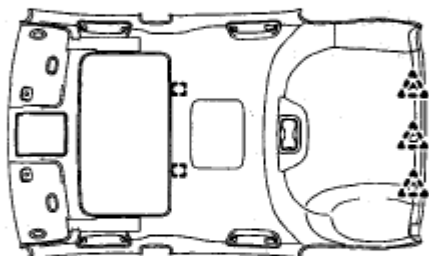
**6. INSTALL ROOF HEADLINING ASSEMBLY**

- a. without Sliding Roof:
  1. Engage the 3 clips and 2 fasteners and install the roof headlining assembly.
- b. with Sliding Roof (Standard Type):
  1. Engage the 3 clips and 2 fasteners and install the roof headlining assembly.
- c. with Sliding Roof (Multi-panel Moon Roof Type):
  1. Engage the 3 clips and 12 fasteners and install the roof headlining assembly.

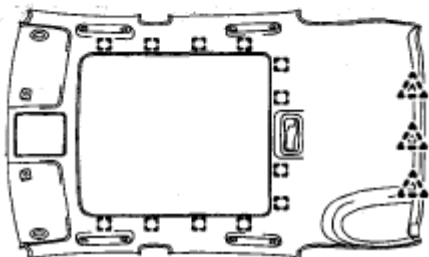
**without Sliding Roof:**



**with Sliding Roof (Standard Type):**



**with Sliding Roof (Multi-panel Moon Roof Type):**



□: Fasteners  
P

B139638E01

**Fig. 48: Identifying Clips & Fasteners On Roof Headlining Assembly**  
 Courtesy of TOYOTA MOTOR SALES, U.S.A., INC.

7. **INSTALL TELEVISION DISPLAY ASSEMBLY (w/ Rear Seat Entertainment System)**
8. **INSTALL TELEVISION BASE (w/ Rear Seat Entertainment System)**
9. **INSTALL SUN ROOF OPENING TRIM MOLDING (w/ Sliding Roof)**
10. **INSTALL VISOR HOLDER**

## 2008 Lexus RX 350

### 2008 ACCESSORIES & EQUIPMENT Interior - RX 350

11. **INSTALL ASSIST GRIP SUB-ASSEMBLY**
12. **INSTALL LH VISOR ASSEMBLY**
13. **INSTALL RH VISOR ASSEMBLY**
14. **INSTALL MAP LIGHT ASSEMBLY**
15. **INSTALL RAIN SENSOR (w/ Rain Sensor) (See INSTALLATION )**
16. **INSTALL ROOM LIGHT ASSEMBLY NO. 1**
17. **INSTALL ROOF SIDE GARNISH ASSEMBLY INNER LH**
18. **INSTALL ROOF SIDE GARNISH ASSEMBLY INNER RH**
19. **INSTALL ROOM LIGHT ASSEMBLY NO. 2**
20. **INSTALL DECK TRIM SIDE PANEL ASSEMBLY LH**
21. **INSTALL DECK TRIM SIDE PANEL ASSEMBLY RH**
22. **INSTALL ROPE HOOK**
23. **INSTALL REAR SEAT SIDE COVER LH**
24. **INSTALL REAR SEAT SIDE COVER RH**
25. **INSTALL DECK SIDE TRIM COVER LH**
26. **INSTALL DECK SIDE TRIM COVER RH**
27. **INSTALL REAR FLOOR FINISH SIDE PLATE LH**
28. **INSTALL REAR FLOOR FINISH SIDE PLATE RH**
29. **INSTALL REAR FLOOR FINISH PLATE**
30. **INSTALL DECK SIDE TRIM BOX LH**
31. **INSTALL DECK SIDE TRIM BOX RH**
32. **INSTALL BACK DOOR WEATHERSTRIP**
33. **INSTALL DECK BOARD SUB-ASSEMBLY NO. 3**
34. **INSTALL DECK BOARD SUB-ASSEMBLY NO. 2**
35. **INSTALL DECK FLOOR BOX REAR**
36. **INSTALL DECK FLOOR BOX FRONT**
37. **INSTALL TONNEAU COVER ASSEMBLY**
38. **INSTALL REAR SEAT ASSEMBLY LH (See INSTALLATION )**
39. **INSTALL REAR SEAT TRACK BRACKET COVER**
40. **INSTALL REAR SEAT ASSEMBLY RH (See INSTALLATION )**
41. **INSTALL REAR SEAT TRACK BRACKET COVER**
42. **INSTALL DECK BOARD SUB-ASSEMBLY**
43. **INSTALL CENTER PILLAR GARNISH LH**
44. **INSTALL CENTER PILLAR GARNISH RH**
45. **INSTALL CENTER PILLAR GARNISH LOWER LH**
46. **INSTALL CENTER PILLAR GARNISH LOWER RH**
47. **INSTALL FRONT PILLAR GARNISH LH**

**2008 Lexus RX 350**

2008 ACCESSORIES & EQUIPMENT Interior - RX 350

48. **INSTALL FRONT PILLAR GARNISH RH**
49. **INSTALL REAR DOOR OPENING TRIM WEATHERSTRIP LH**
50. **INSTALL REAR DOOR OPENING TRIM WEATHERSTRIP RH**
51. **INSTALL FRONT DOOR OPENING TRIM WEATHERSTRIP LH**
52. **INSTALL FRONT DOOR OPENING TRIM WEATHERSTRIP RH**
53. **INSTALL REAR DOOR SCUFF PLATE LH**
54. **INSTALL REAR DOOR SCUFF PLATE RH**
55. **INSTALL FRONT DOOR SCUFF PLATE LH**
56. **INSTALL FRONT DOOR SCUFF PLATE RH**
57. **INSPECT SLIDE ADJUSTER LOCK (See INSTALLATION )**