

<b>Last Modified:</b> 04-16-2018	6.8:8.0.48	<b>Doc ID:</b> RM10000000100SN
<b>Model Year Start:</b> 2017	<b>Model:</b> RX350	<b>Prod Date Range:</b> [08/2016 - ]
<b>Title:</b> EXTERIOR PANELS / TRIM: FRONT BUMPER: REMOVAL; 2017 - 2018 MY RX350 [08/2016 - ]		

## REMOVAL

### CAUTION / NOTICE / HINT

The necessary procedures (adjustment, calibration, initialization, or registration) that must be performed after parts are removed and installed, or replaced during front bumper removal/installation are shown below.

#### **Necessary Procedure After Parts Removed/Installed/Replaced**

REPLACED PART OR PERFORMED PROCEDURE	NECESSARY PROCEDURE	EFFECT/INOPERATIVE FUNCTION WHEN NECESSARY PROCEDURE NOT PERFORMED	LINK
<ul style="list-style-type: none"> <li>• Front television camera assembly</li> <li>• Front bumper assembly</li> <li>• Radiator grille</li> </ul>	Front television camera view adjustment	Panoramic view monitor system	<a href="#">INFO</a> for Initialization <a href="#">INFO</a> for Calibration
Front bumper assembly (w/ Intelligent clearance sonar system)	<ul style="list-style-type: none"> <li>• Ultrasonic sensor detection angle</li> <li>• Ultrasonic sensor detection angle registration</li> </ul>	<ul style="list-style-type: none"> <li>• Intelligent clearance sonar system</li> <li>• Intuitive parking assist system</li> </ul>	<a href="#">INFO</a>

#### **HINT:**

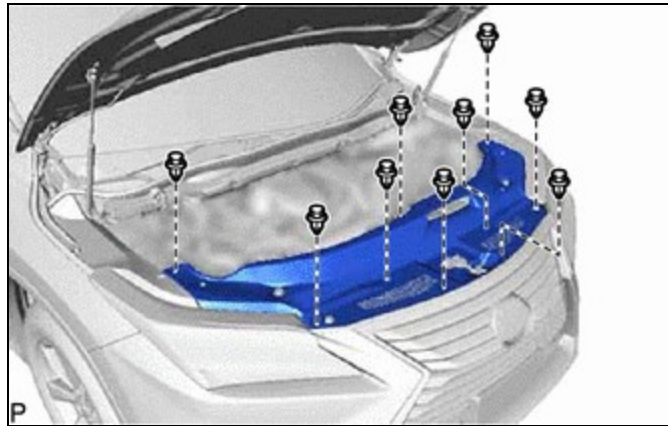
When the front bumper is damaged or deformed due to an accident or contact with other objects, etc., or the bumper installation area on the body is repaired, it is necessary to perform millimeter wave radar sensor adjustment.

Click here [INFO](#)

## PROCEDURE

### **1. REMOVE COOL AIR INTAKE DUCT SEAL**

- (a) Remove the 9 clips and cool air intake duct seal.



## 2. DISCONNECT FRONT FENDER MOULDING SUB-ASSEMBLY LH

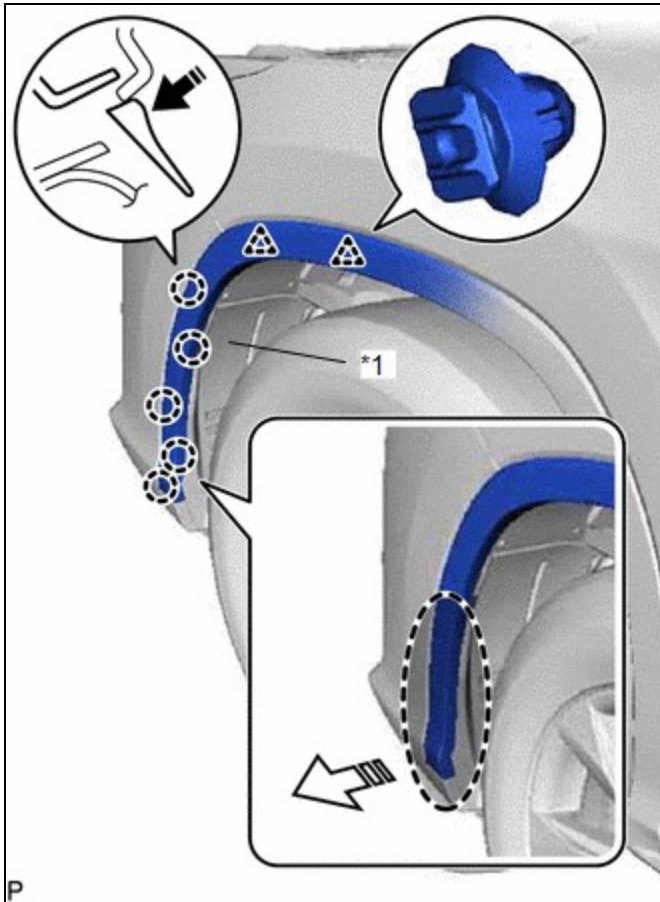
(a) Remove the 2 clips.






(b) Remove the 2 clips.



(c) Pull back the edge of the front fender splash shield sub-assembly LH and disengage the 5 claws by pushing the area indicated by the arrow in the illustration with a finger.



*1	Front Fender Splash Shield Sub-assembly LH
	Place Hand Here
	Remove in this Direction (1)
	Remove in this Direction (2)

**NOTICE:**

- Do not apply excessive force when pulling back the front fender splash shield sub-assembly LH.
- To avoid damaging the claws, do not forcibly pull the front fender moulding sub-assembly LH.

(d) Disengage the 2 clips and disconnect the front fender moulding sub-assembly LH.

**3. DISCONNECT FRONT FENDER MOULDING SUB-ASSEMBLY RH**

**HINT:**

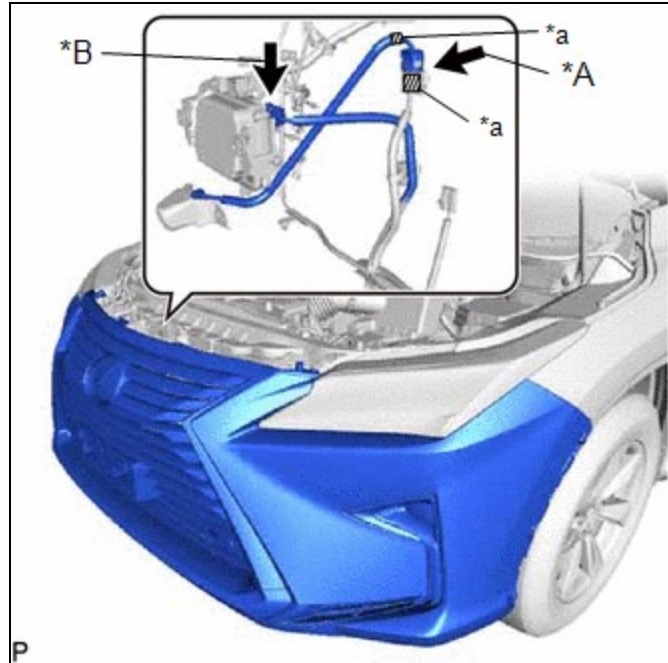
Use the same procedure as for the LH side.

**4. REMOVE FRONT BUMPER ASSEMBLY**

- (a) w/ Panoramic View Monitor System:  
 (1) Apply tape to the 2 wire harnesses as shown in the illustration.

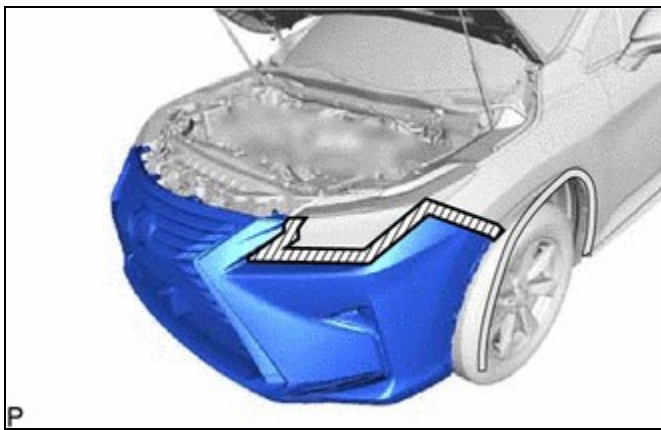
**HINT:**

Tape is used to identify the wire harnesses which are connected to the front television camera assembly.



*A	w/ Panoramic View Monitor System
*B	w/ Pre-collision System
*a	Tape

- (b) Disconnect each connector.  
 (c) Apply protective tape around the front bumper assembly.



	Protective Tape
---	-----------------

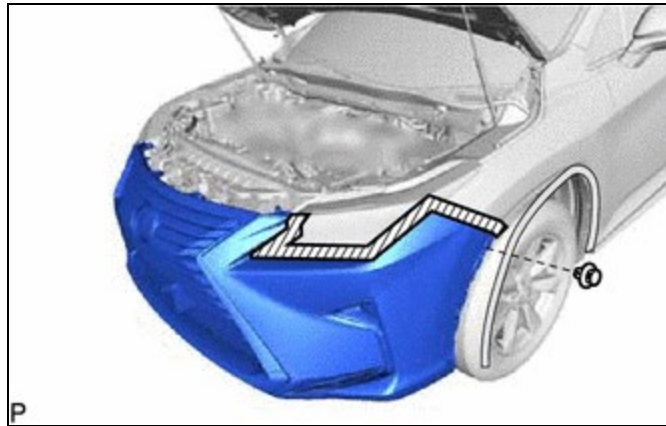
**HINT:**

Use the same procedure for the RH side and LH side.

- (d) Remove the clip.

**HINT:**

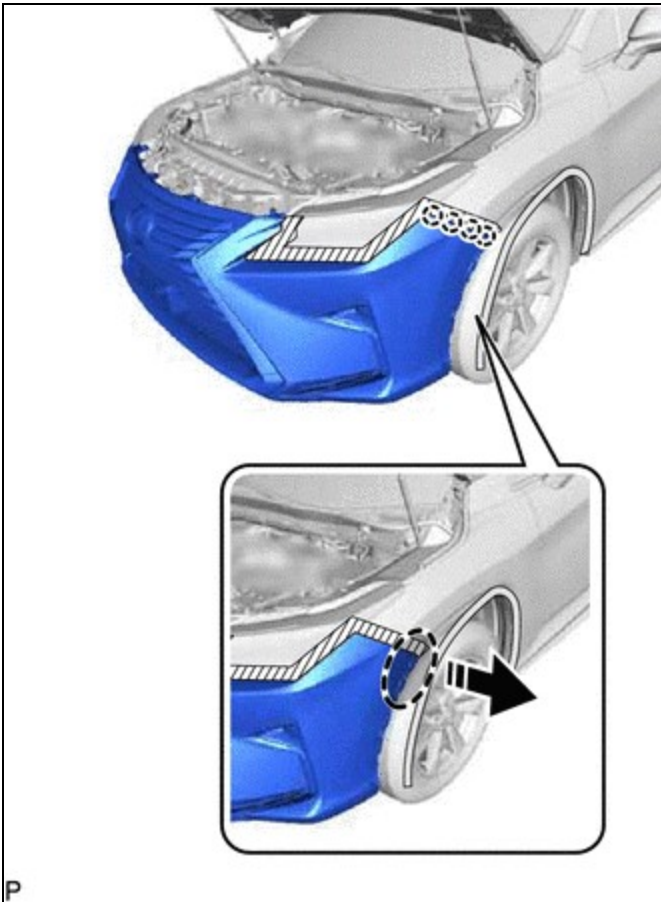
Use the same procedure for the RH side and LH side.





(e) Remove the 8 screws.



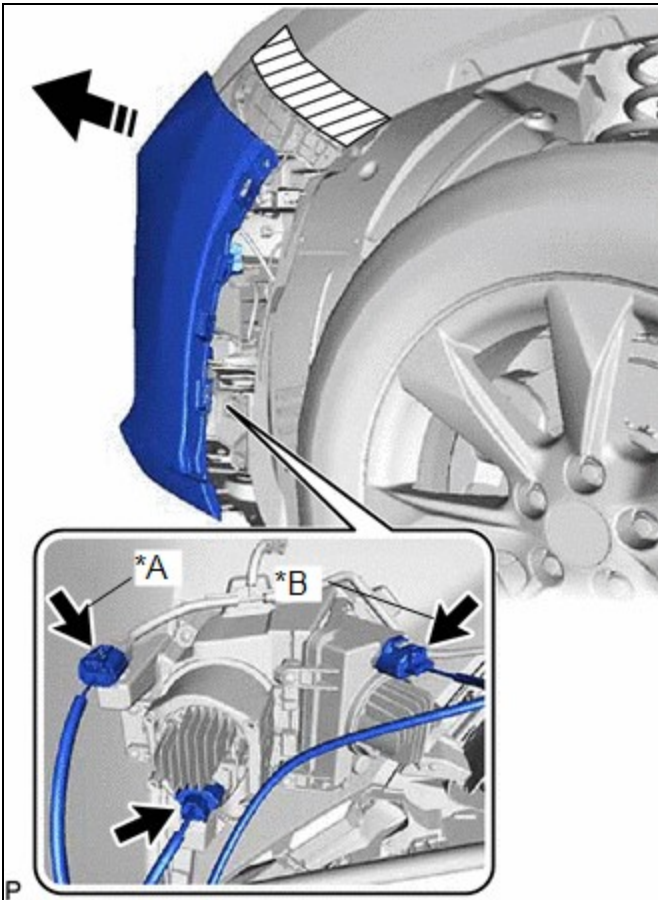
(f) Disengage the 4 claws as shown in the illustration.




	Place Hand Here
	Remove in this Direction

**HINT:**  
Use the same procedure for the RH side and LH side.

(g) Pull back the side of the front bumper assembly, disconnect each connector.



*A	w/ Intuitive Parking Assist System
*B	w/ Cornering Light
	Remove in this Direction

**NOTICE:**

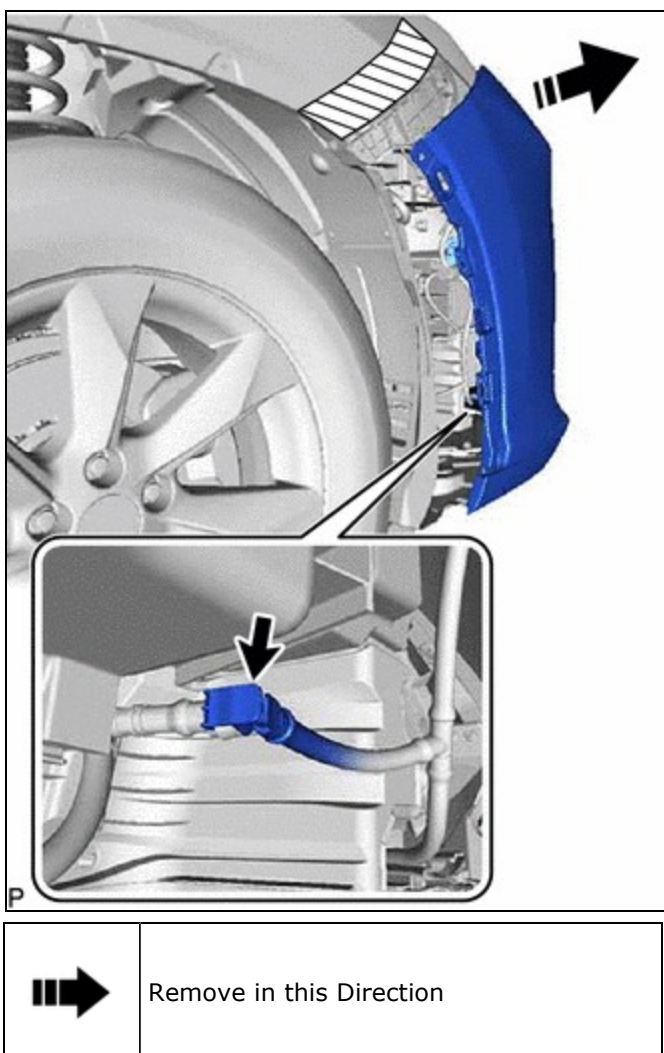
Do not apply excessive force when pulling back the front bumper assembly.

**HINT:**

Use the same procedure for the RH side and LH side.

(h) w/ Headlight Cleaner System:

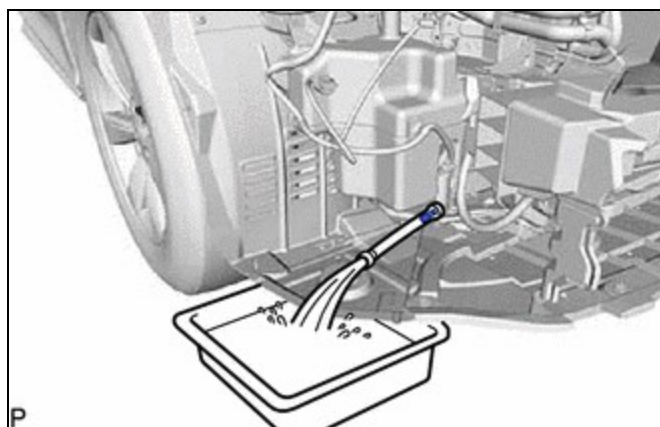
- (1) Pull back the side of the front bumper assembly and disconnect the headlight cleaner hose.



(2) Drain the washer fluid.

**HINT:**

Use a container to collect the washer fluid.



(i) Remove the 4 bolts.





(j) Remove the 2 clips and front bumper assembly as shown in the illustration.

