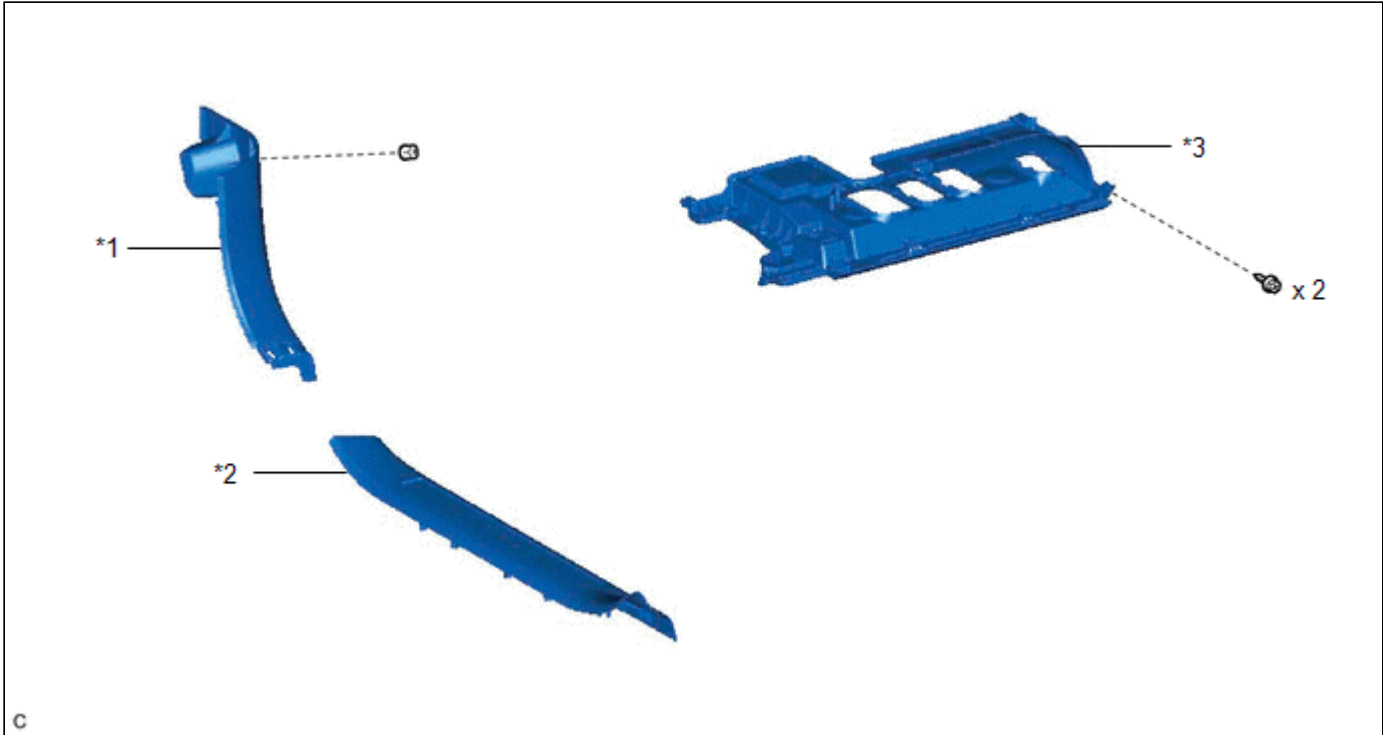


Last Modified: 01-06-2021	6.10:8.0.50	Doc ID: RM100000000RDEW
Model Year Start: 2016	Model: RX350	Prod Date Range: [09/2015 -]
Title: 2GR-FKS (ENGINE CONTROL): ACCELERATOR PEDAL: COMPONENTS; 2016 - 2021 MY RX350 [09/2015 -]		

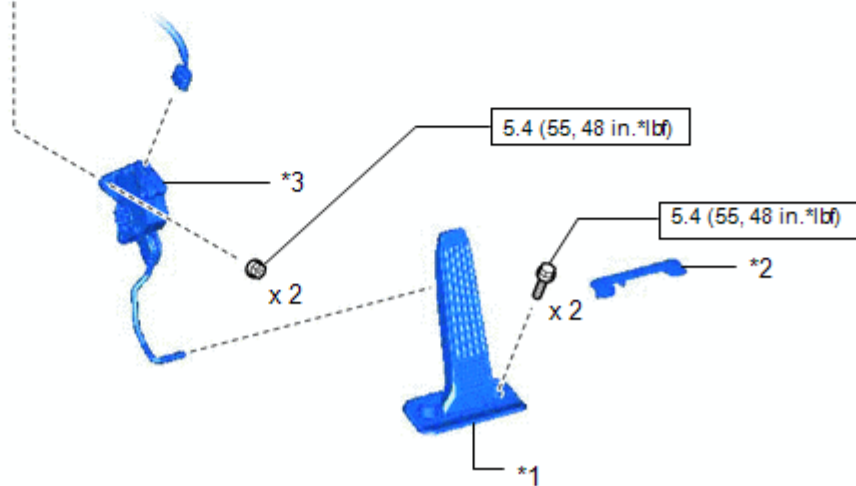
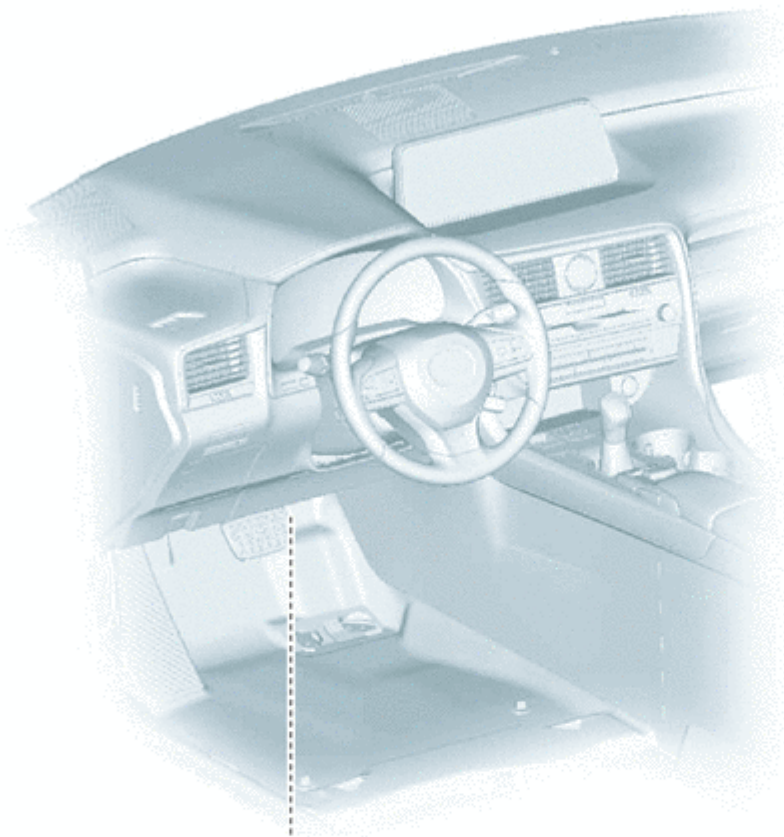
COMPONENTS

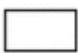
ILLUSTRATION



*1	COWL SIDE TRIM BOARD	*2	FRONT DOOR SCUFF PLATE LH
*3	NO. 1 INSTRUMENT PANEL UNDER COVER SUB-ASSEMBLY	-	

ILLUSTRATION



*1	ACCELERATOR PEDAL	*2	ACCELERATOR PEDAL PAD
*3	ACCELERATOR PEDAL SENSOR ASSEMBLY	-	-
	N*m (kgf*cm, ft.*lbf): Specified torque	-	-