

F SPORT PARTS

MS153-48012 sports muffler

Installation and handling instructions

Thank you very much for purchasing the SPORT PARTS sports muffler. This manual describes the installation and handling of this product and precautions. Please read it before installation and install and handle it correctly. Please give this manual to the customer.

★This product cannot be installed on unregistered vehicles. Installation should be performed after the vehicle is registered.

Product number/Compatible car model

Product number	Compatible car models	remarks
MS153-48012	RX '22.10~	Gasoline vehicles, 1M-HEV vehicles

* When opening the package, please make sure that all components are present and that there are no scratches, dents, etc. If any defects are found after installation, we may not be able to respond.

*This product is to be installed together with the F SPORT PARTS rear diffuser. Please read the installation instructions for the F SPORT PARTS rear diffuser before installation.

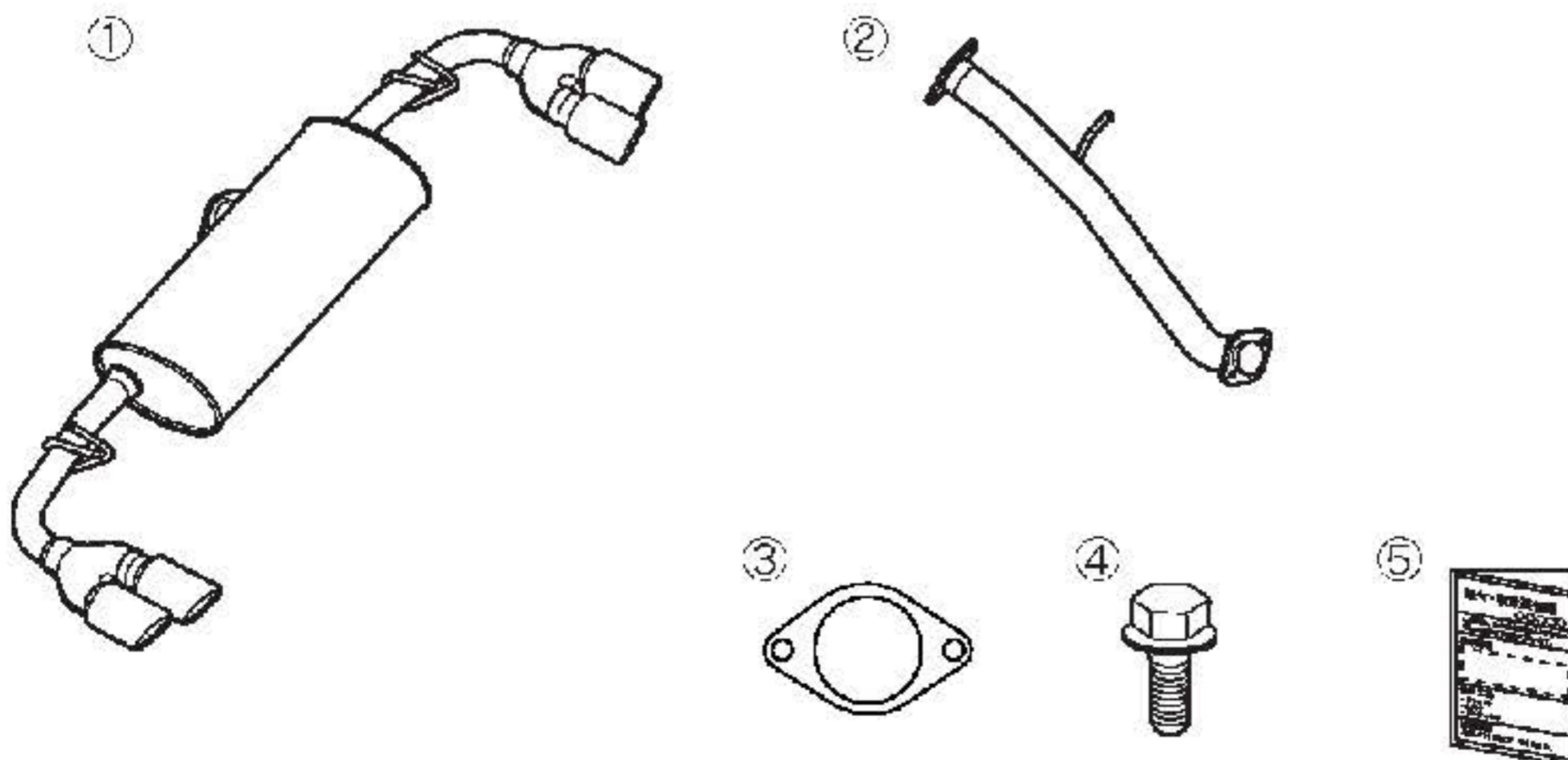
• For the latest compatibility information, please visit the TRD catalog site: <https://www.trdparts.jp/>

Component part

No.	Part name	quantity	remarks
①	Tail pipe	1	
②	Exhaust pipe	1	
③	gasket	1	MS151-00NO1
④	Flange bolt	2	M10×20
⑤	Installation and handling instructions	1	This book

*Check: Upon receiving this product, please immediately check that there is no damage to the main unit and that all accessories are included.

Component diagram



Installation precautions (for installers)

Please be sure to read this before carrying out any work to ensure a safe and reliable installation.

(1) This product meets the "Safety Standards of the Road Transport Vehicle Law" and is a safety standard compliant muffler that can be used safely on public roads. However, this may not be the case if modifications other than the muffler are made or depending on the usage conditions, etc. Please note that it may not be possible to install this product together with aero parts other than TRD products. So please be aware of this.

(2) In order to comply with safety standards, installation must be the same as for the genuine parts, without removing the catalyst, shield, etc., and must be installed on the above-mentioned compatible vehicles.

▲Warning

This indicates that failure to follow this instruction and improper installation or handling could result in danger to life or serious injury.

▲Attention

Failure to follow the precautions and improper installation or handling may result in an accident, injury, or damage to the vehicle.

📌 advice

This describes what you need to know to work quickly and safely.



warn

○ Things not to do

● Things you must do

● Do not modify or alter this product, or install it on vehicles other than those for which it is designed, as this may result in a serious accident.

🔒 Do not disassemble or modify this product, as this may cause damage or an accident.

🔒 When installing the product, be sure to do so on a flat surface, turn off the engine, and check that the parking brake is on. Doing so may cause the vehicle to move unexpectedly, resulting in serious accidents such as getting your body pinched. When

installing or replacing this product, follow the instructions in the repair manual (issued by Toyota Motor Corporation) for the vehicle in question and observe the precautions in this manual.

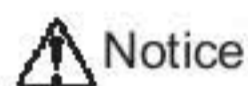
● When installing, be sure

to tighten the screws securely according to the specified torque. Insufficient tightening may result in the screws falling off, resulting in serious damage. Doing so may result in serious accidents or breakdowns.

● If modifications are required to lower the vehicle height, please ensure that the minimum ground clearance is 90 mm (Note 1).

(Note 1: May vary depending on vehicle wheelbase and overhang values)

● When driving on public roads with a vehicle equipped with a height-adjustable suspension kit, be careful of interference with the road surface. please.



Notice

🔧 Any replacement or installation of this product must be carried out at a well-equipped, specialized repair shop.

● When replacing, be sure to follow the repair manual for the relevant vehicle (issued by Toyota Motor Corporation) and observe the precautions in this manual when carrying out the work.

Before installing this product, please check that the main body and all components are present and that there are no damages or defects.

We may not be able to respond to claims for damage or defects discovered after installation.

When installing this product, please handle it on a protective sheet to prevent scratches and at the same time protect the installation area.

Please cover the area with protective material before carrying out the installation work. Be careful not to scratch or damage the area during

installation work. ● Please make sure the engine is cold before carrying out the installation work. If the engine compartment or muffler is hot,

There is a risk of injury.

After installation, check whether this product interferes with other parts. If there is interference, contact the dealer where you purchased this product.

If you continue driving the vehicle in this condition, it may cause damage or breakdown.

If the product is subjected to a strong impact such as a collision after installation, immediately discontinue use. The mounting part or the product itself may be deformed, damaged, or broken. Be sure to have the product inspected at a repair shop.

After installing this product, if you feel any abnormal vibration or noise while driving, immediately stop the vehicle in a safe place.

Continuing to drive the vehicle may result in a serious accident or damage. Have the vehicle inspected at a repair shop.

After installation is complete

● After installation, please make sure that there is no interference between this product and the

vehicle. ● If you remove the negative battery terminal during installation, please set up and check the system after completing the installation.

● Resetting or adjustment may be required depending on the parts disassembled or removed during installation. Please inspect, adjust and set each part according to the repair manual (issued by Toyota Motor Corporation) for the applicable vehicle.

🔧 If a malfunction occurs, please contact the store where you purchased the product immediately.

■ table of contents

1. Cover, part number, applicable vehicle model, components, component diagram, 1

2. Installation precautions (for installers) 2

3. Table of contents, tools, protective equipment, consumables required for installation, warranty information, installation configuration diagram...3

4. Installation preparation and installation instructions... 4~5

5. Tightening torque table, inspection and precautions after installation is complete... 5

■ Tools, protective equipment, and consumables required for

installation: General tools, torque wrench, and protective glasses

- Gloves and protective sheet

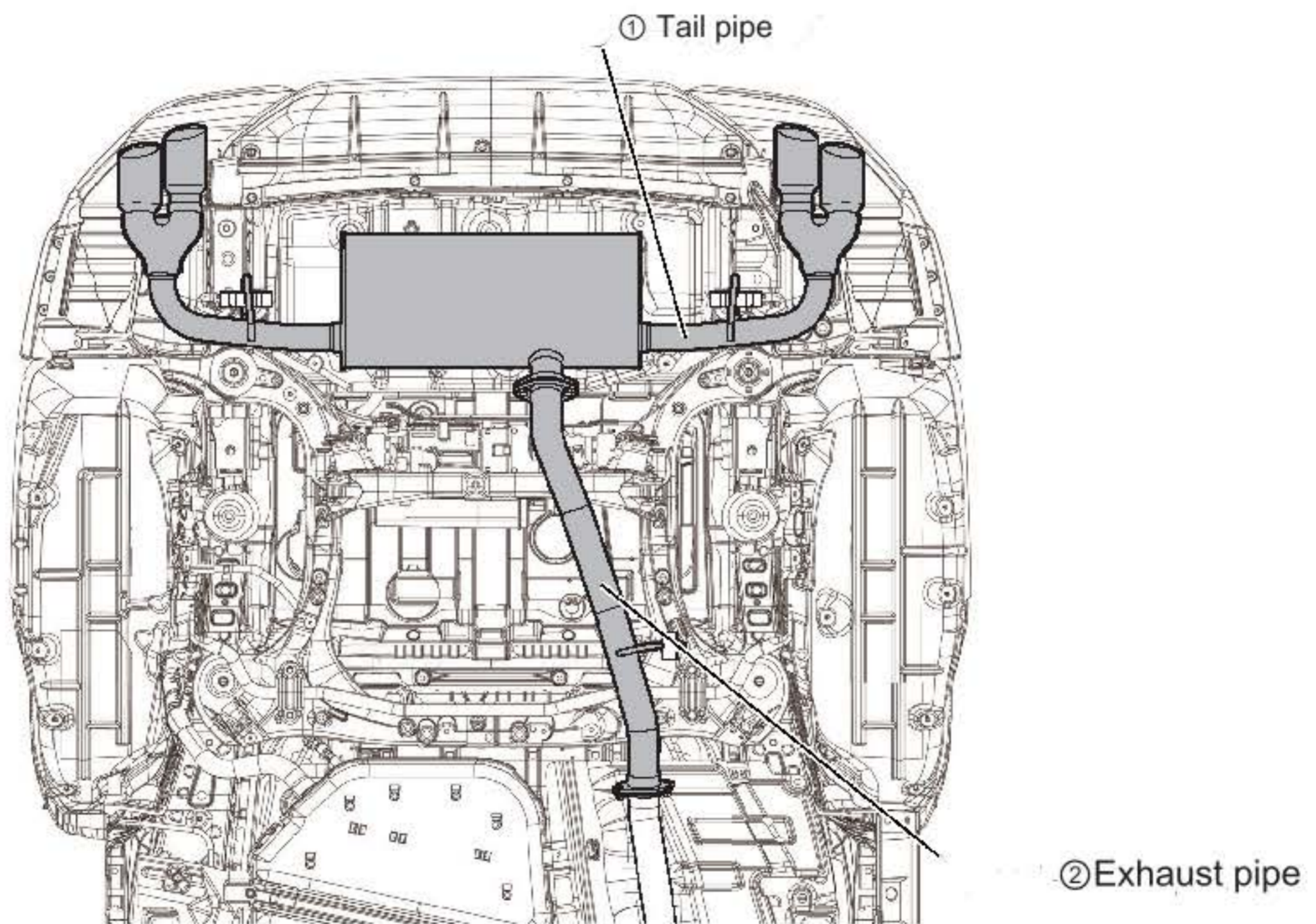
■ About warranty

This product comes with a 3-year/60,000km warranty (3 years or 60,000km, whichever comes first).

*For details about the warranty, please see "Warranty" on the TRD catalog site <<https://www.trdparts.jp>>.

■ Installation configuration diagram

[view below]



*The illustration shows the F SPORT PARTS rear diffuser installed.

■ Specifications (SUS material)

Product number	① Tail pipe pipe diameter	② Exhaust pipe pipe diameter	Outlet baffle part
MS153-48012	φ 50.8	φ 60.5	\$85.0 (Dual)

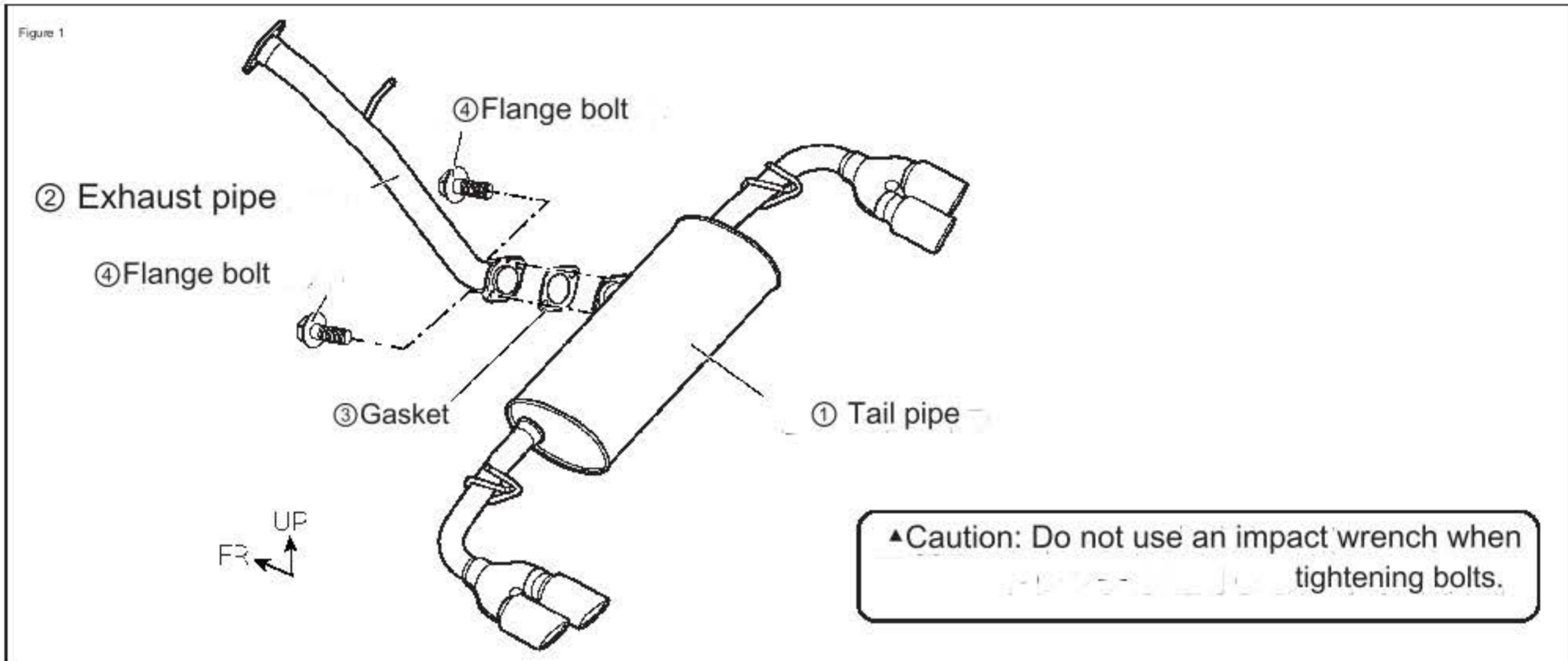
Installation instructions

1. Remove the original tailpipe from the vehicle according to the repair manual for the vehicle in question.

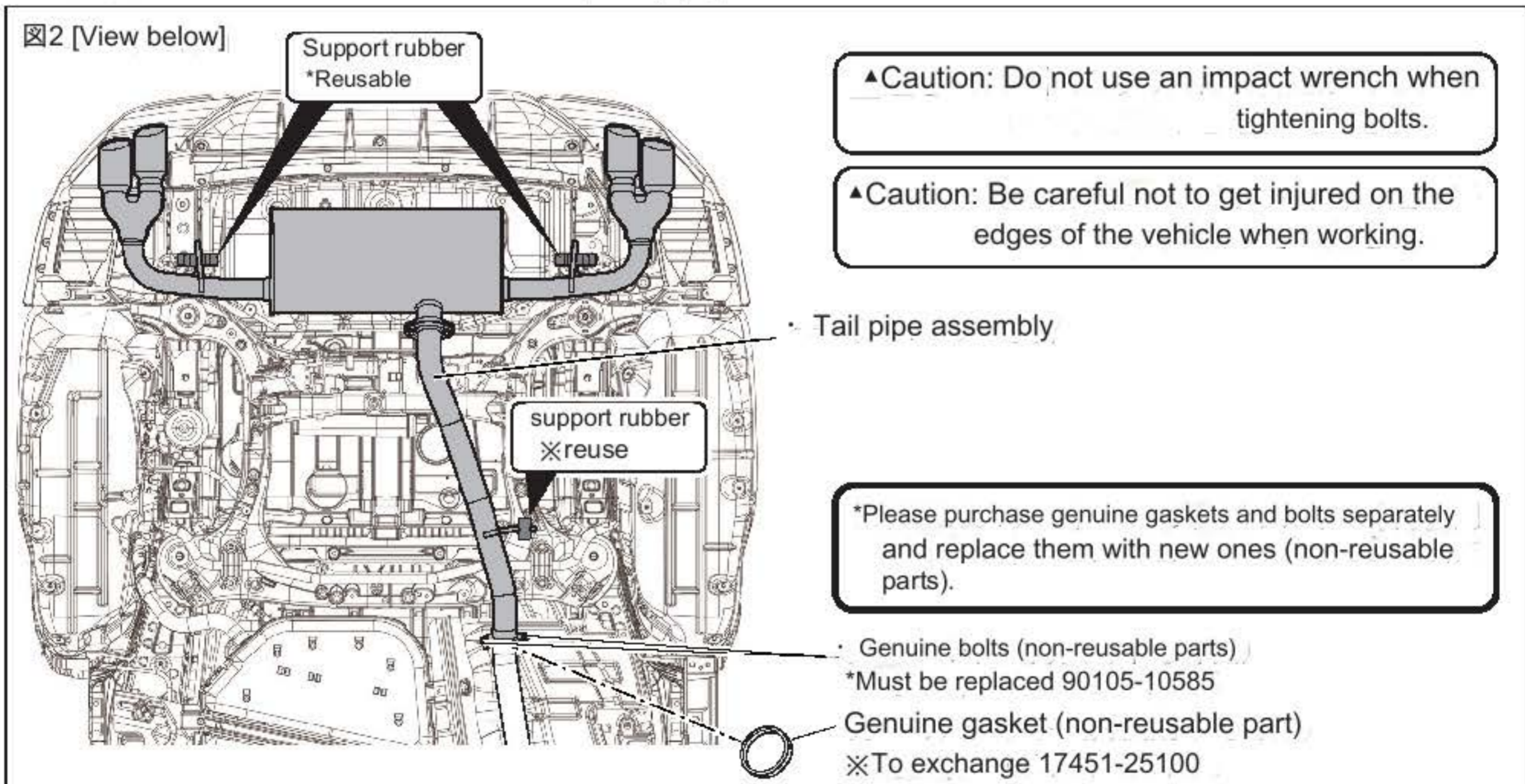
● **Advice:** The removed support rubber will be reused, so be sure to store it carefully so that it is not damaged or lost.

▲ **Caution:** When removing vehicle parts, be careful not to injure yourself on the surrounding sheet metal edges or other parts.

2. As shown in Figure 1, temporarily fasten the tail pipe (①) and exhaust pipe (②) via the gasket (③) with the flange bolts (④).



3. As shown in Figure 2, temporarily fix the tail pipe assembly with the vehicle bolts (new genuine parts) and support rubber (reuse) via the gasket (new genuine parts).



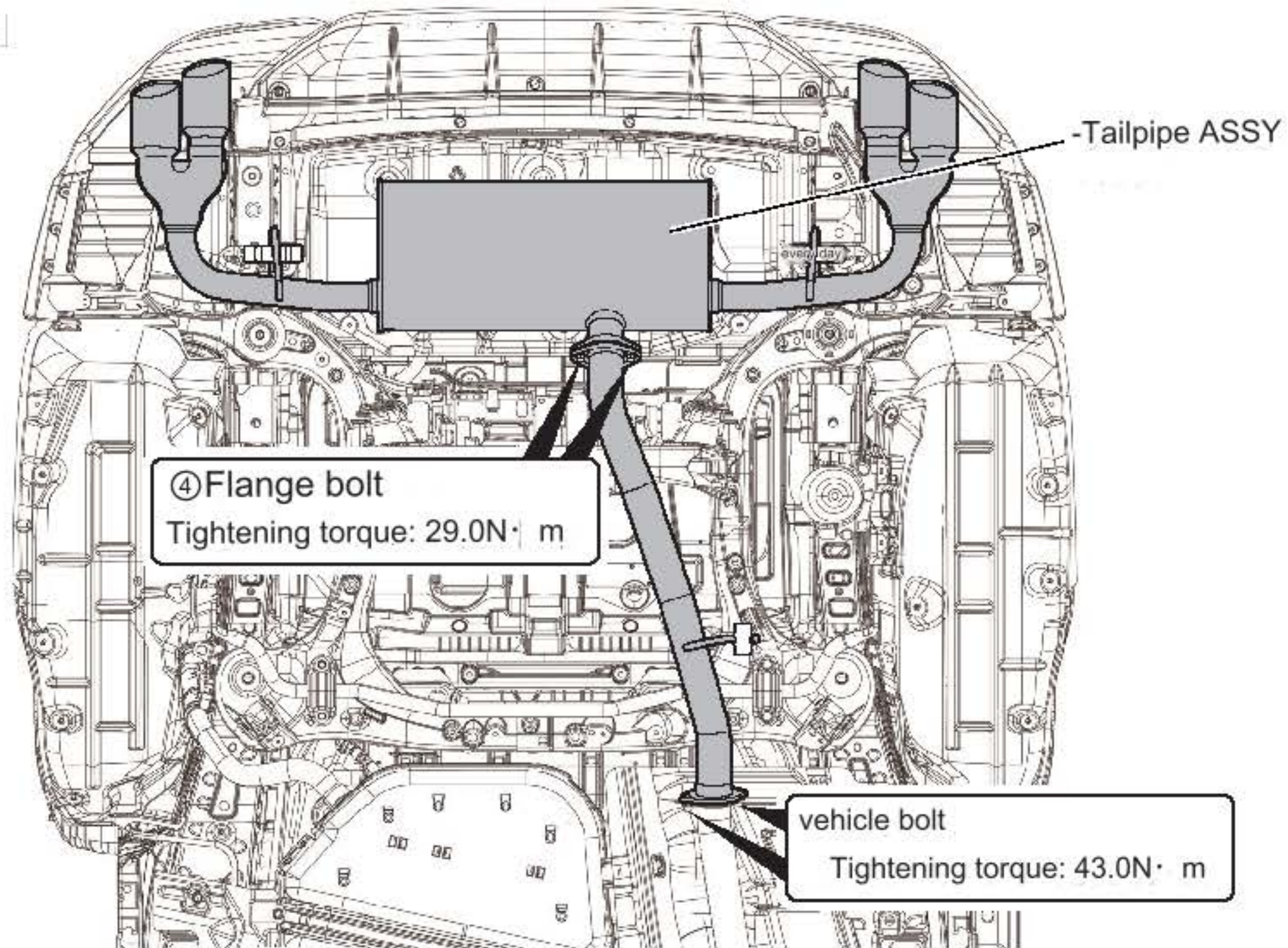
▲ **Caution:** The gasket and bolts connecting the exhaust pipe ② to the vehicle exhaust pipe cannot be reused. Parts. Be sure to replace them with new genuine parts.

▲ **WARNING:** If you use a lubricant on the support rubber when removing or installing the tail pipe, be sure to clean it thoroughly to remove any oil or grease. Please remove it. If any oil or grease remains, it may come off while driving or cause a serious accident.

4. As shown in Figure 3, check for interference, installation position, and play of each part, then tighten the provisionally tightened vehicle bolts and ④ flange bolts to the specified torque.

Figure 3

[Congratulations below]



▲Caution: Be careful not to get injured on the edges of the vehicle when working.

▲Note: Adjust the height of the muffler outlet so that it is the same on both sides.

■ Tightening torque table

Installation location	Component No.	Tightening torque	
① Tail pipe x ② Exhaust, pipe fastening part	④ Flange bolt, (M10 x 20)	29.0N·m	Pi
② Exhaust pipe x vehicle front pan knob fastening part	vehicle bolt	43.0N·m	p

■ Inspection and precautions after installation

1. After installation, drive the vehicle for a few kilometers to make sure there is no interference with any parts and that no abnormal noises are present.
2. Reconfiguration or adjustment may be required depending on the parts disassembled or detached during this installation.
Please inspect, adjust, and set each part in accordance with the repair manual for the vehicle in question (issued by Toyota Motor Corporation).
3. After installation, please check regularly (during regular inspections, etc.) to make sure the mounting parts are not loose.

Toyota Customizing & Development Co., Ltd.

TRD Product Inquiry Desk

TEL:050-3161-2121

<https://www.trdparts.jp/>