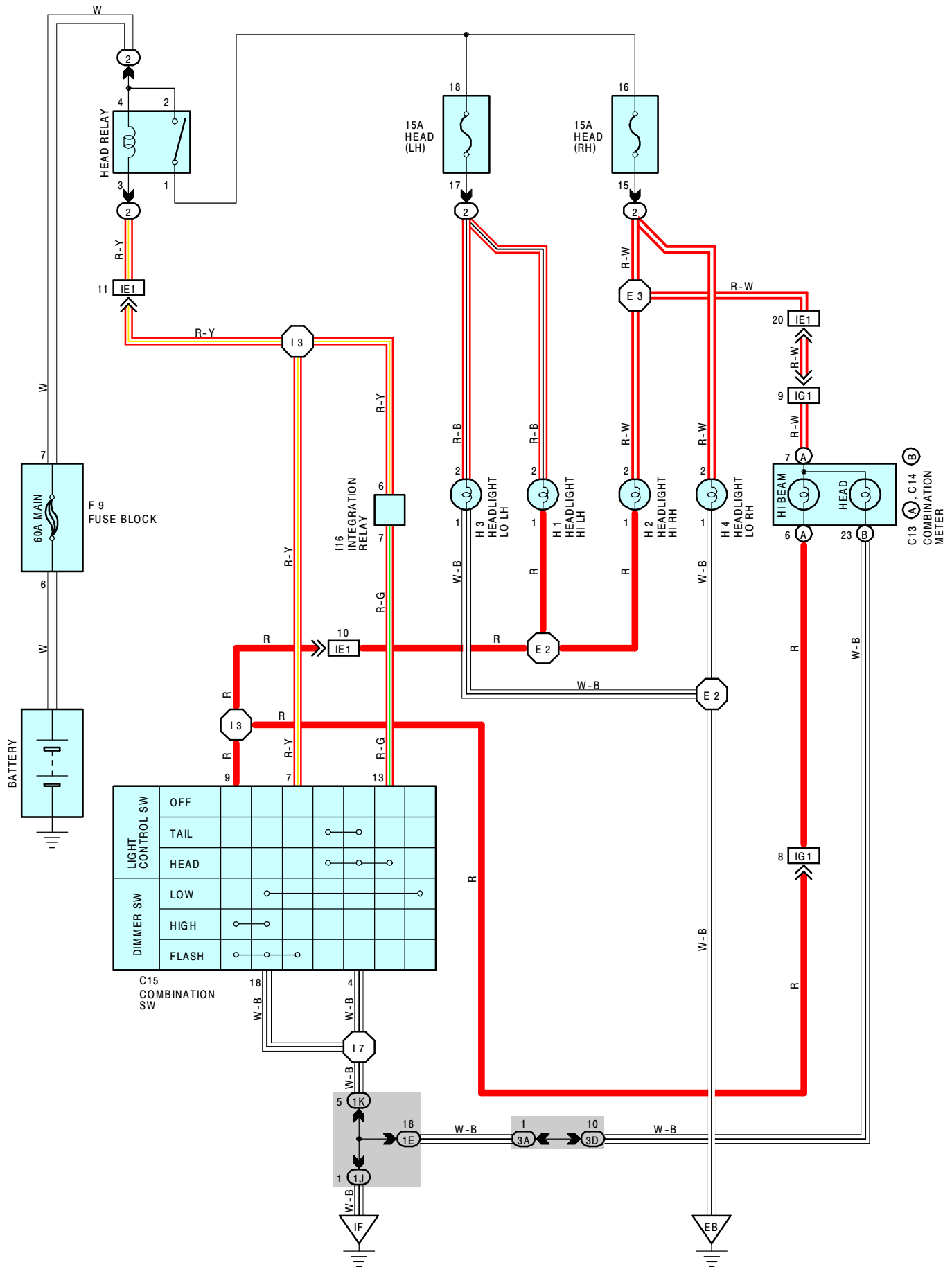




HEADLIGHT (2JZ-GE USA)



SERVICE HINTS

HEAD RELAY

1-2 : CLOSED WITH LIGHT CONTROL SW AT **HEAD** POSITION OR DIMMER SW AT **FLASH** POSITION

C15 LIGHT CONTROL SW [COMB. SW]

13-4 : CLOSED WITH LIGHT CONTROL SW AT **HEAD** POSITION

C15 DIMMER SW [COMB. SW]

7-18 : CLOSED WITH DIMMER SW AT **FLASH** POSITION

9-18 : CLOSED WITH DIMMER SW AT **HIGH** OR **FLASH** POSITION

○ : PARTS LOCATION

CODE	SEE PAGE	CODE	SEE PAGE	CODE	SEE PAGE	
C13	A	30	H 1	28	H 4	28
C14	B	30	H 2	28	I16	31
F 9	28	H 3	28			

○ : RELAY BLOCKS

CODE	SEE PAGE	RELAY BLOCKS (RELAY BLOCK LOCATION)
2	19	R/B NO. 2

○ : JUNCTION BLOCK AND WIRE HARNESS CONNECTOR

CODE	SEE PAGE	JUNCTION BLOCK AND WIRE HARNESS (CONNECTOR LOCATION)
1E	20	INSTRUMENT PANEL WIRE AND J/B NO. 1 (LEFT KICK PANEL)
1J	20	COWL WIRE AND J/B NO. 1 (LEFT KICK PANEL)
1K		
3A	22	INSTRUMENT PANEL WIRE AND J/B NO. 3 (BEHIND THE INSTRUMENT PANEL CENTER)
3D		

□ : CONNECTOR JOINING WIRE HARNESS AND WIRE HARNESS

CODE	SEE PAGE	JOINING WIRE HARNESS AND WIRE HARNESS (CONNECTOR LOCATION)
IE1	40	ENGINE ROOM MAIN WIRE AND COWL WIRE (R/B NO. 4)
IG1	40	INSTRUMENT PANEL WIRE AND COWL WIRE (R/B NO. 5)

▽ : GROUND POINTS

CODE	SEE PAGE	GROUND POINTS LOCATION
EB	38 (2JZ-GE)	FRONT SIDE OF LEFT FENDER
IF	40	LEFT KICK PANEL

○ : SPLICE POINTS

CODE	SEE PAGE	WIRE HARNESS WITH SPLICE POINTS	CODE	SEE PAGE	WIRE HARNESS WITH SPLICE POINTS
E 2	38 (2JZ-GE)	ENGINE ROOM MAIN WIRE	I 3	42	COWL WIRE
E 3			I 7		

