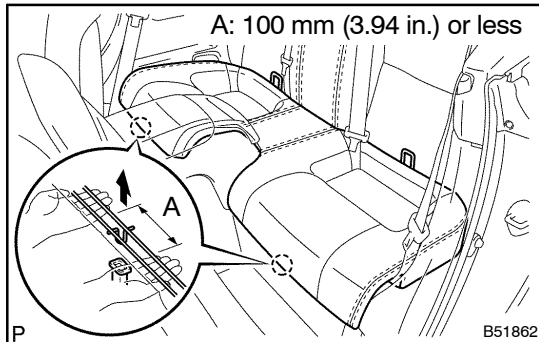


OVERHAUL

HINT:

- Installation is in the reverse order of the removal. But, the installation indicated only when it has a point.
- See the components' drawing of rear seat in page 72-6.

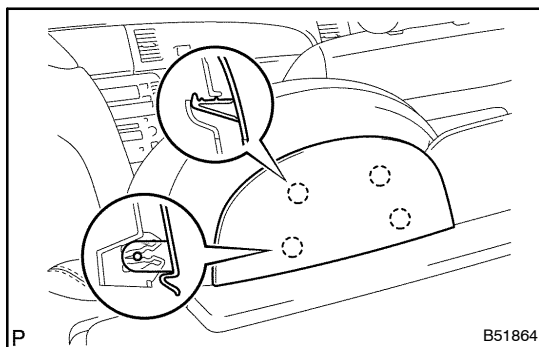


1. REMOVE REAR SEAT CUSHION ASSY

- (a) Pull up the front portion of the seat cushion assembly, then remove it.

NOTICE:

In the case, hold the base of the clip up to prevent the cushion frame from being distorted.



2. REMOVE REAR SEAT HEADREST PLATE COVER [71952]

- (a) Using a screwdriver, remove the 2 rear seat headrest plate covers.

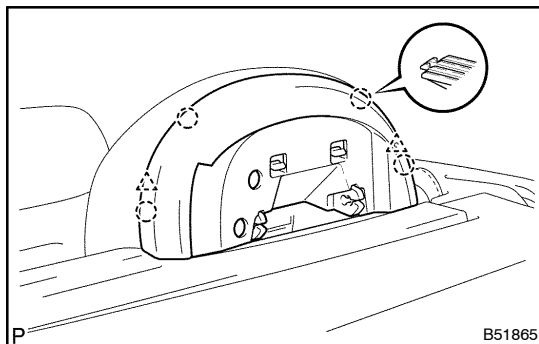
HINT:

Tape the screwdriver tip before use.

- (b) Employ the same manner described above to the other side.

3. REMOVE WIND DEFLECTOR BOARD ASSY [63230D]

- (a) Remove the 4 bolts and the wind deflector board assembly.



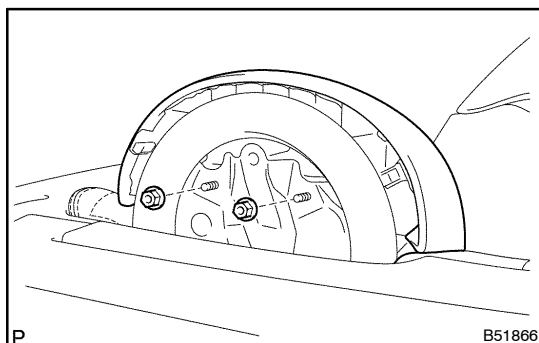
4. REMOVE REAR SEAT HEADREST PLATE [71944A]

- (a) Using a screwdriver, remove the 2 rear seat headrest plates.

HINT:

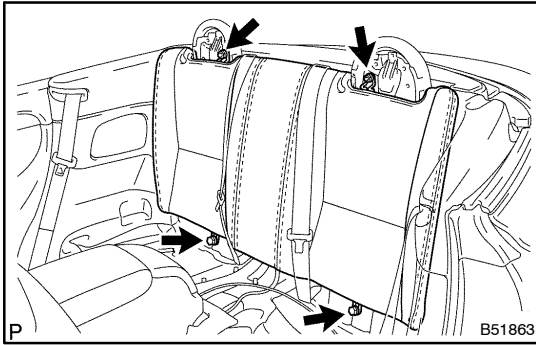
Tape the screwdriver tip before use.

- (b) Employ the same manner described above to the other side.



5. REMOVE REAR SEAT HEADREST ASSY [71940A]

- (a) Remove the 4 nuts and the 2 rear seat headrest assemblies.
- (b) Employ the same manner described above to the other side.



6. REMOVE REAR SEAT BACK ASSY

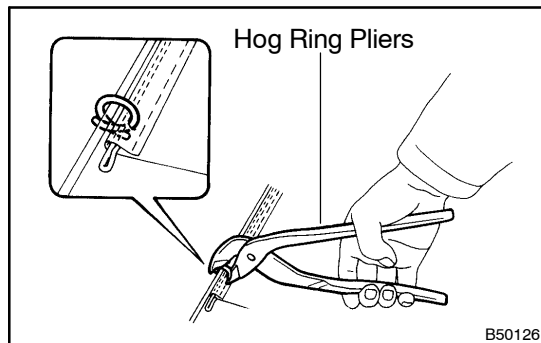
- (a) Remove the 2 nuts, 2 bolts and the rear seat back assembly.

7. REMOVE BENCH TYPE REAR SEAT CUSHION COVER [71075B / 98-98]

- (a) Remove the hog rings and rear seat cushion cover.

8. REMOVE BENCH TYPE REAR SEAT BACK COVER [71077B]

- (a) Remove the hog rings and rear seat back cover.

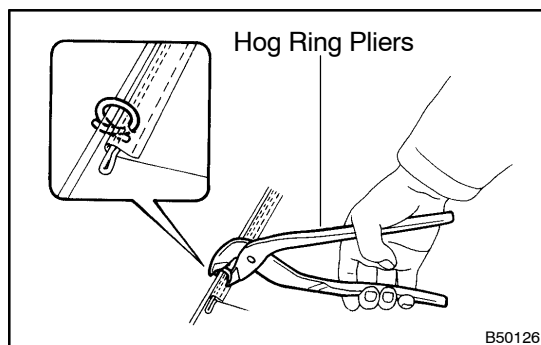


9. INSTALL BENCH TYPE REAR SEAT BACK COVER [71077B]

- (a) Install the rear seat back cover to the rear seat back pad with new hog rings.

HINT:

- Do not damage the seat back cover nor make it dirty.
- When installing the hog rings, take care to prevent wrinkles as much as possible.

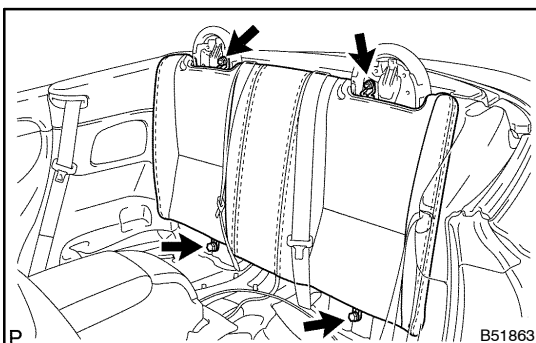


10. INSTALL BENCH TYPE REAR SEAT CUSHION COVER [71075B]

- (a) Install the rear seat cushion cover to the rear seat cushion pad with new hog rings.

HINT:

- Do not damage the seat cushion cover nor make it dirty.
- When installing the hog rings, take care to prevent wrinkles as much as possible.



11. INSTALL REAR SEAT BACK ASSY

- (a) Install the rear seat back assembly with the 2 nuts and 2 bolts.

Torque: 18 N·m (184 kgf·cm, 13 ft·lbf)

- 12. INSTALL REAR SEAT HEADREST ASSY**
[71940A / 98-98]
Torque: 5.0 N·m (51 kgf·cm, 44 in·lbf)