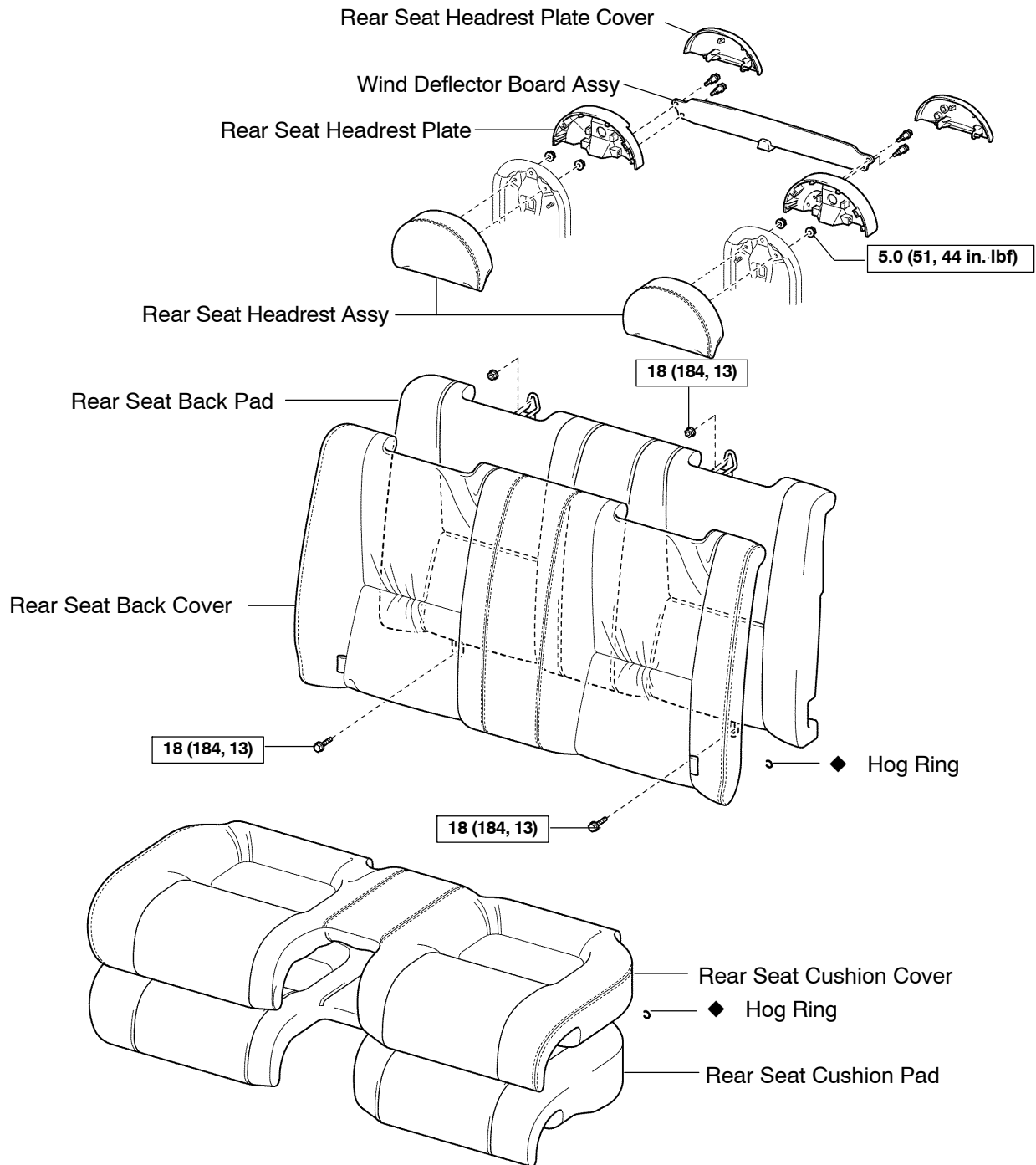


REAR SEAT COMPONENTS

7201L-01



N·m (kgf·cm, ft·lbf) : Specified torque

◆ Non-reusable part

P

B52163