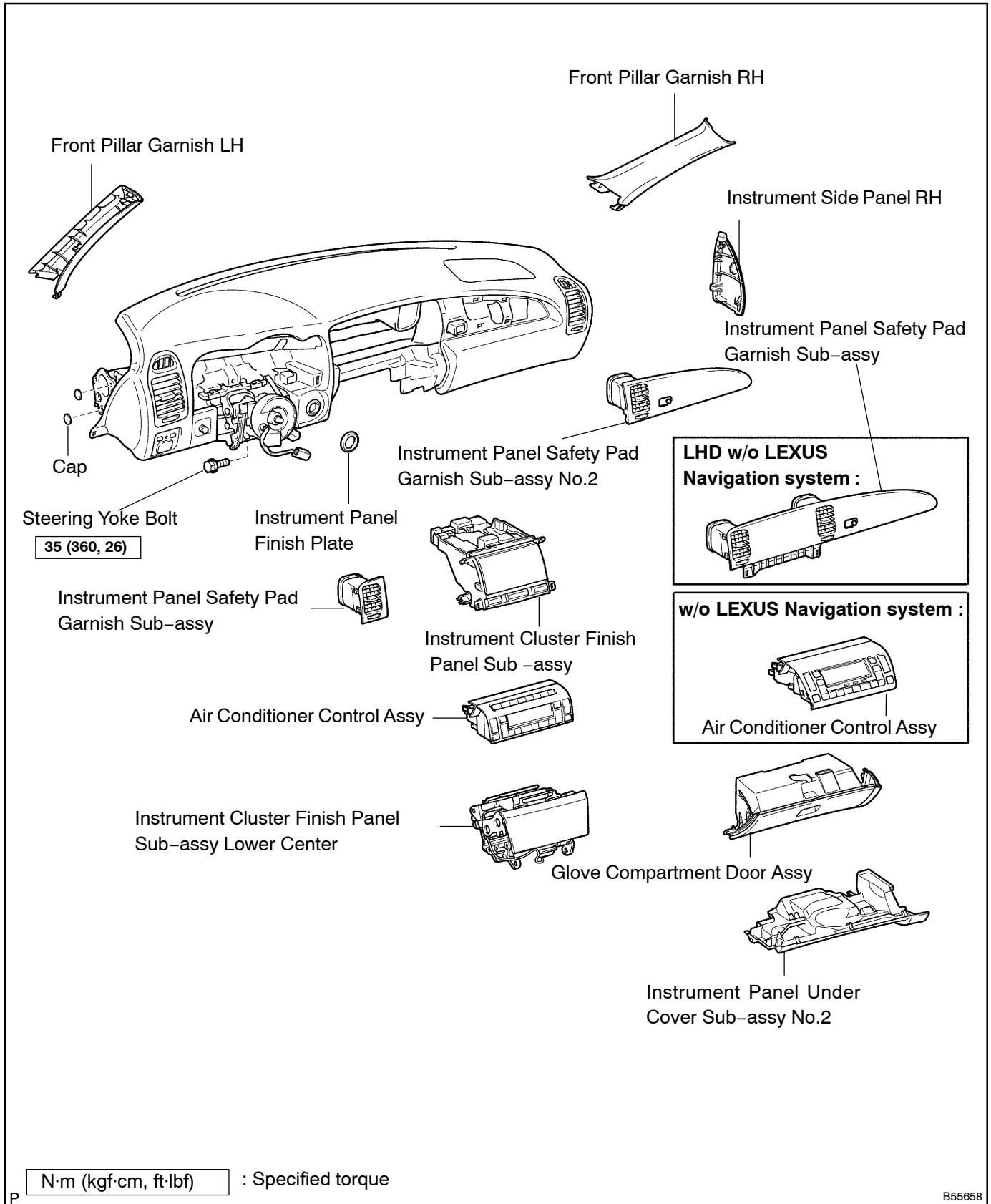


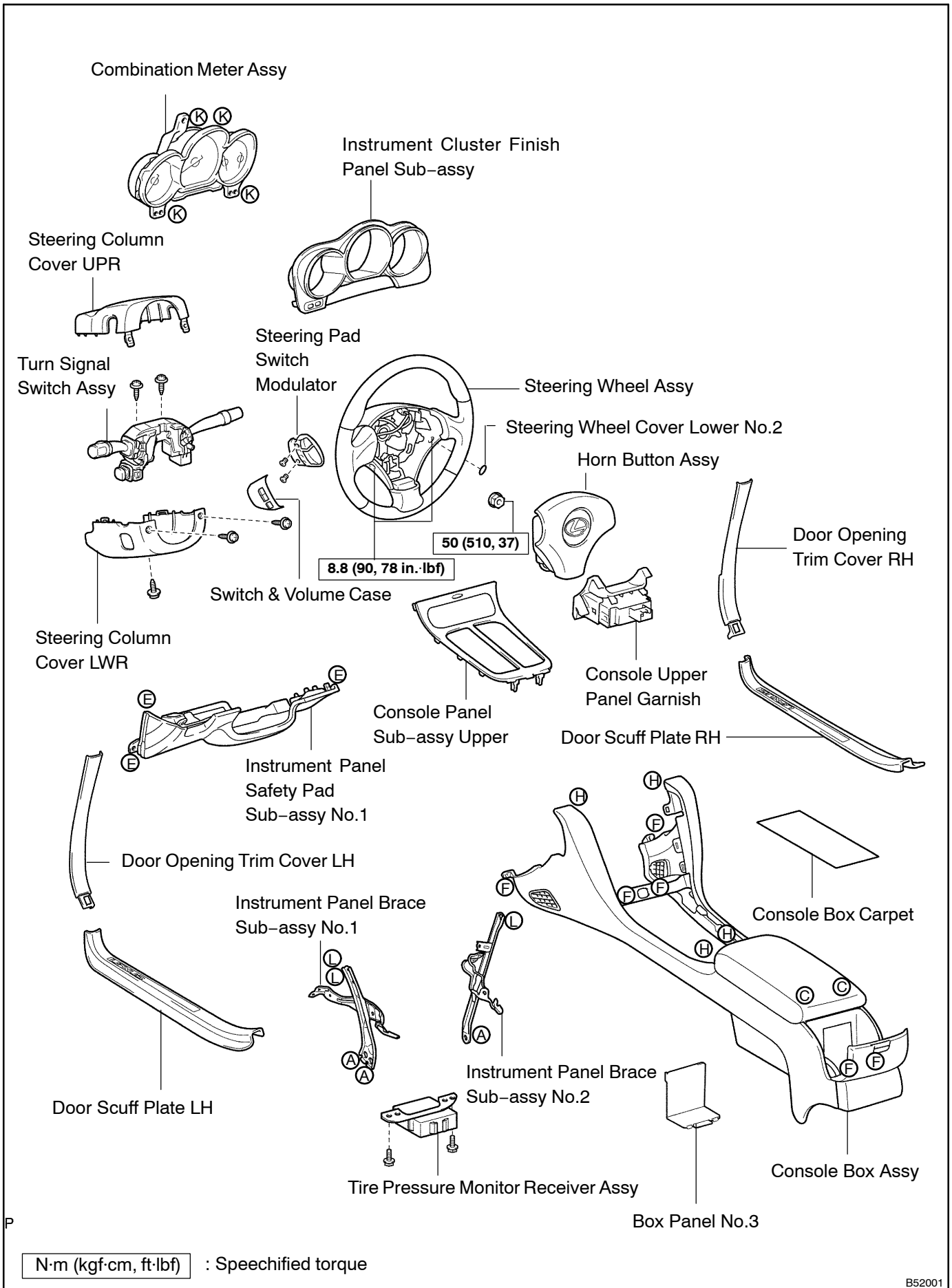
# AUDIO & VISUAL SYSTEM COMPONENTS

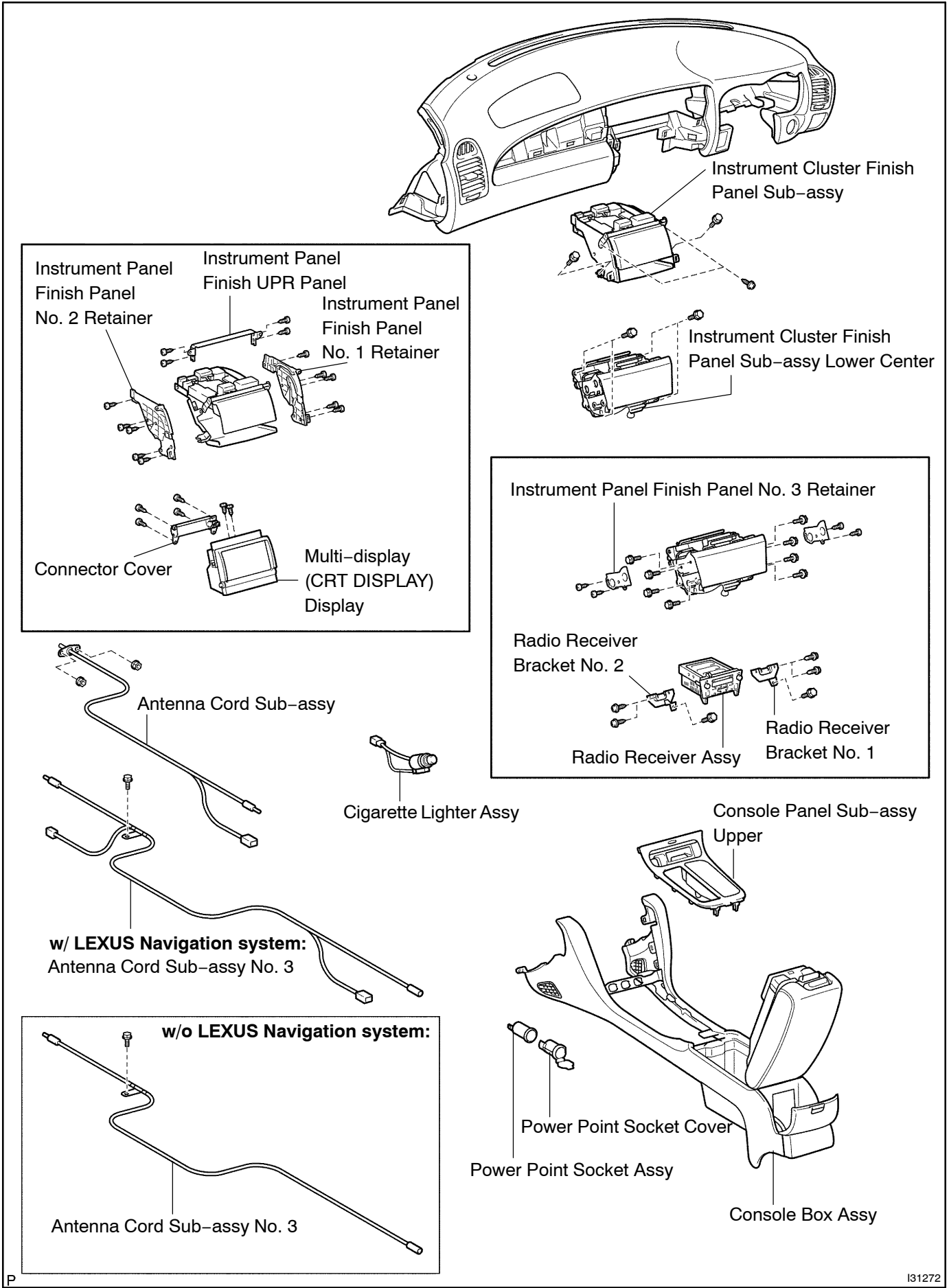
6706C-01



N·m (kgf·cm, ft·lbf) : Specified torque

B55658





P

I31272

