

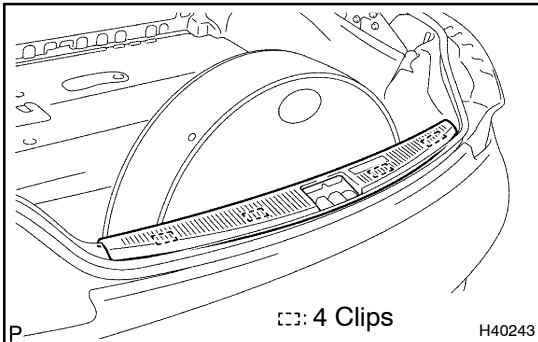
OVERHAUL

NOTICE:

Do not apply grease to each sliding part of the link.

HINT:

COMPONENTS: [See page 75-26](#)



1. REMOVE REAR FLOOR FINISH PLATE

(a) Using a screwdriver, remove the rear floor finish plate.

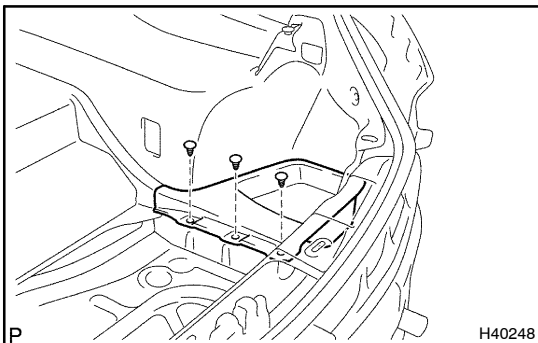
HINT:

Tape the screwdriver tip before use.

2. REMOVE SPARE WHEEL COVER ASSY

3. REMOVE SPARE DISC WHEEL

4. REMOVE LUGGAGE COMPARTMENT FLOOR MAT



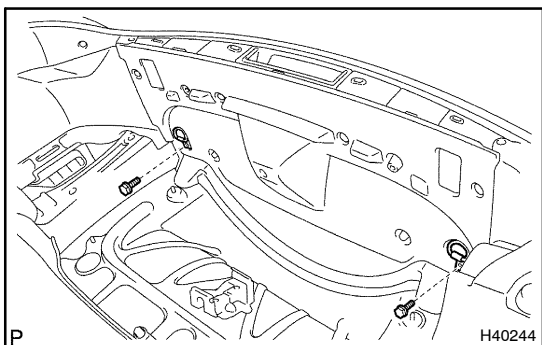
5. REMOVE LUGGAGE COMPARTMENT TRIM COVER RH

(a) Using a clip remover, remove the 3 clips.

(b) Remove the luggage compartment trim cover RH.

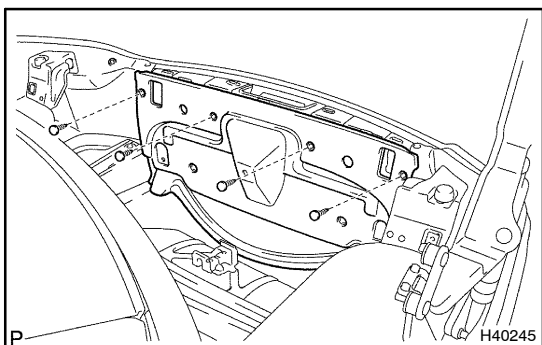
6. REMOVE LUGGAGE COMPARTMENT TRIM COVER LH

7. REMOVE TOOL BOX COVER



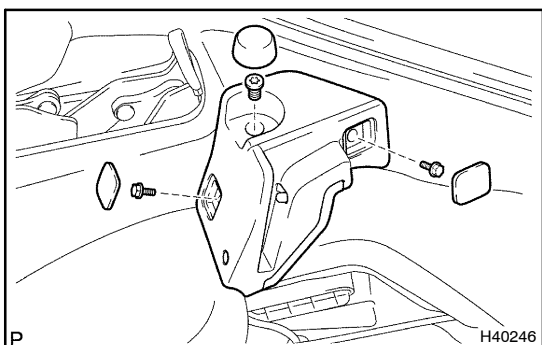
8. REMOVE LUGGAGE HOLD BELT STRIKER ASSY

- (a) Remove the 2 bolts and 2 luggage hold belt strikers.



9. REMOVE LUGGAGE COMPARTMENT TRIM COVER SUB-ASSY REAR

- (a) Using a clip remover, remove the 4 clips.
 (b) Remove the luggage compartment trim rear cover.



10. REMOVE TONNEAU COVER STOPPER SUB-ASSY RH

- (a) Remove the cushion.
 (b) Using a screwdriver, remove the 2 covers.

HINT:

Tape the screwdriver tip before use.

- (c) Using a torx socket (T40), remove the screw.

Torx socket (T40): 09042-00020

- (d) Remove the 2 bolts.

- (e) Remove the tonneau cover stopper sub-assy RH.

11. REMOVE TONNEAU COVER STOPPER SUB-ASSY LH

- (a) Remove the cushion.
 (b) Using a screwdriver, remove the 2 covers.

HINT:

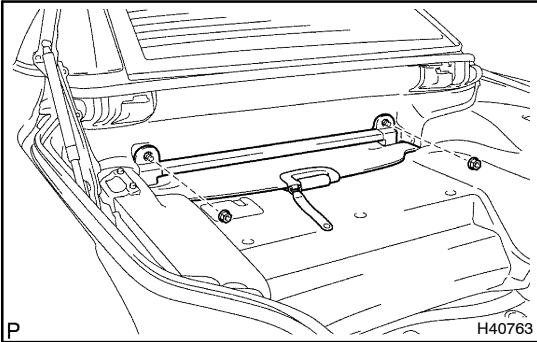
Tape the screwdriver tip before use.

- (c) Using a torx socket (T40), remove the screw.

Torx socket (T40): 09042-00020

- (d) Remove the 2 bolts.

- (e) Remove the tonneau cover stopper sub-assy LH, then disconnect the connector.

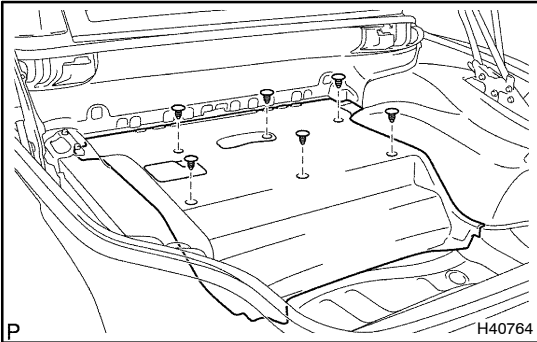
**12. REMOVE TONNEAU COVER ASSY**

- (a) Using a screwdriver, remove the 2 covers.

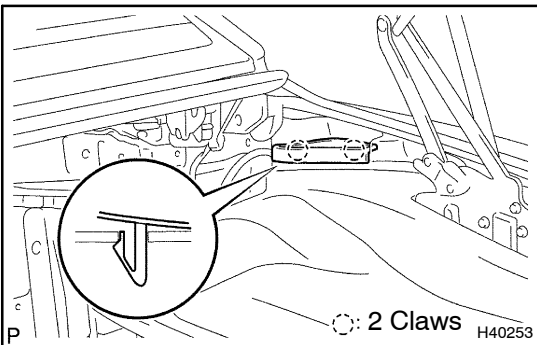
HINT:

Tape the screwdriver tip before use.

- (b) Remove the 2 nuts and tonneau cover.

**13. REMOVE LUGGAGE COMPARTMENT TRIM COVER INNER LOWER**

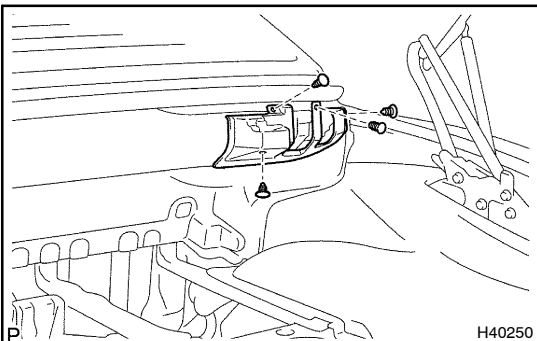
- (a) Remove the 2 bolts and luggage hold belt strikers.
 (b) Using a clip remover, remove the 6 clips.
 (c) Remove the luggage compartment trim cover inner lower.

**14. REMOVE REAR FLOOR FINISH SIDE PLATE RH**

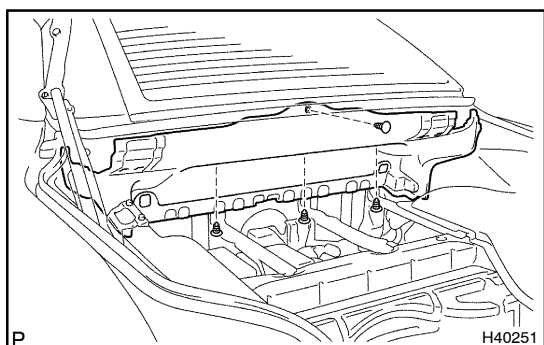
- (a) Using a screwdriver, disconnect the drain hose and remove the rear floor finish side plate RH.

HINT:

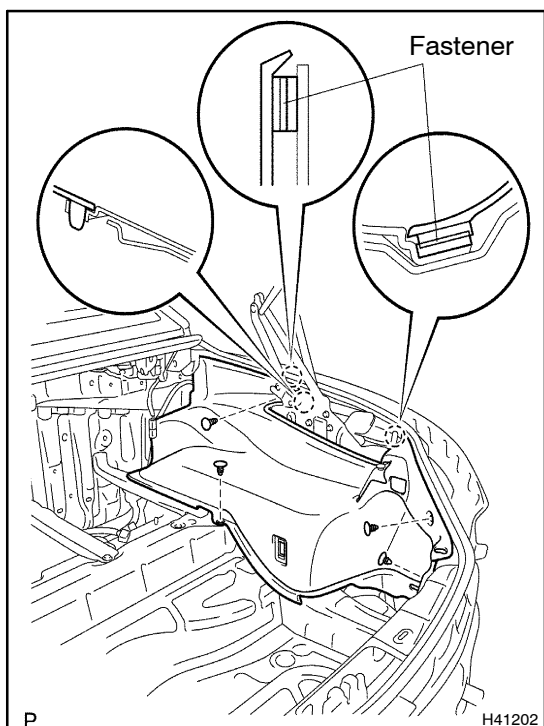
Tape the screwdriver tip before use.

15. REMOVE REAR FLOOR FINISH SIDE PLATE LH**16. REMOVE LUGGAGE COMPARTMENT TRIM COVER FRONT**

- (a) Using a clip remover, remove the 4 clips.
 (b) Use the same procedure described above to the other side.



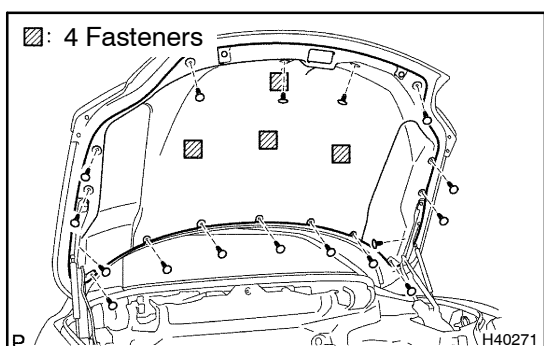
- (c) Using a clip remover, remove the 4 clips.
- (d) Disengage the claw moving the luggage compartment trim cover front, then remove the luggage compartment trim cover front.



17. REMOVE LUGGAGE COMPARTMENT TRIM COVER SIDE RH

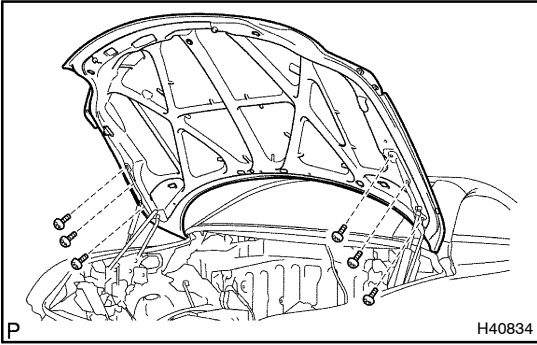
- (a) Using a clip remover, remove the 4 clips.
- (b) Remove the luggage compartment trim cover side RH.
- (c) Disconnect the connector.

18. REMOVE LUGGAGE COMPARTMENT TRIM COVER SIDE LH



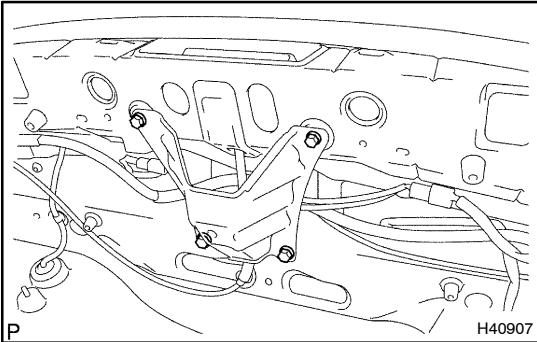
19. REMOVE LUGGAGE COMPARTMENT DOOR COVER

- (a) Using a clip remover, remove the 19 clips, fastener and luggage compartment door cover.



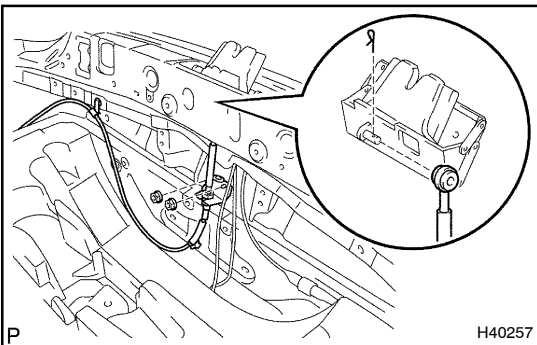
20. REMOVE LUGGAGE COMPARTMENT DOOR PANEL SUB-ASSY

- (a) Disconnect the connector.
- (b) Using a clip remover, remove the clamp of the wire harness.
- (c) Using a torx socket, remove the 6 bolts and luggage compartment door panel sub-assy.
Torx socket (T40): 09042-00020



21. REMOVE SPARE WHEEL CARRIER BRACKET

- (a) Remove the 4 bolts.
- (b) Remove the spare wheel carrier bracket.



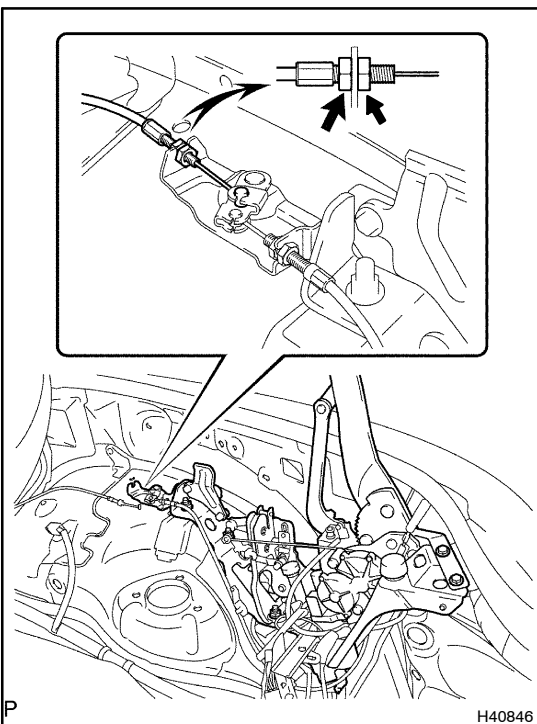
22. REMOVE LUGGAGE COMPARTMENT DOOR HINGE ASSY RH

- (a) Remove the 2 nuts and cable bracket.

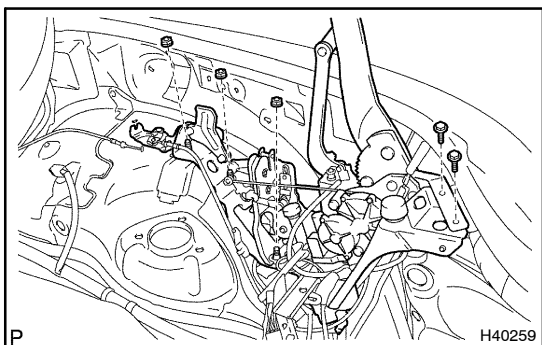
HINT:

For the LH side, remove the wire harness reel.

- (b) Disconnect the luggage compartment door hinge cable.
- (c) Using a clip remover, disengage the clamps of luggage compartment door hinge cable.



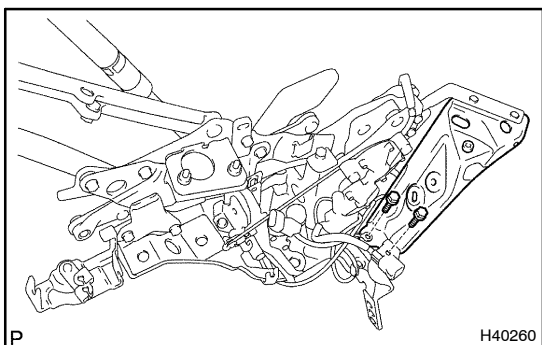
- (d) Loosen the nut, then disconnect the cable.



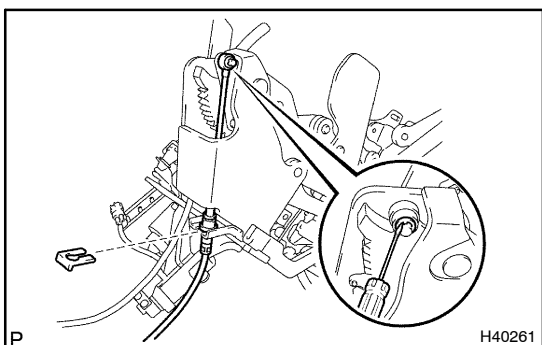
- (e) Remove the 2 bolts and 3 nuts.
- (f) Disconnect the connectors.
- (g) Remove the luggage compartment door hinge assy RH.

HINT:

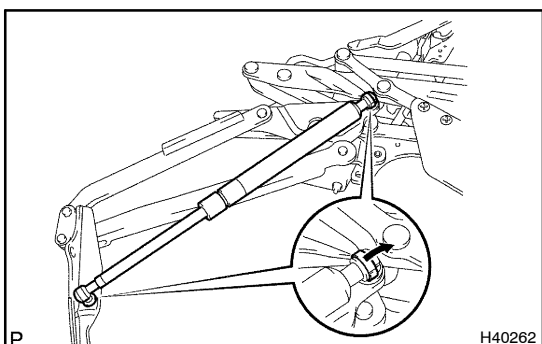
If there are shims, store them.

**23. REMOVE BACK DOOR STOPPER BRACKET RH**

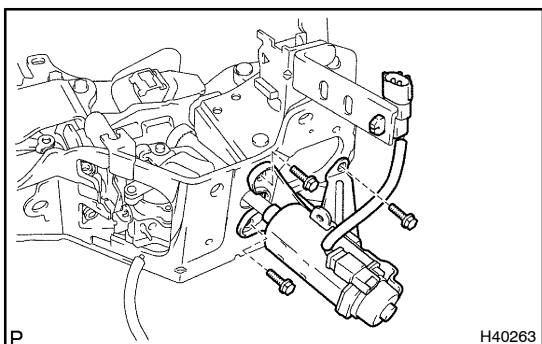
- (a) Remove the 2 bolts (A) and back door stopper bracket RH.

**24. REMOVE LUGGAGE DOOR LOCK CONTROL CABLE SUB-ASSY**

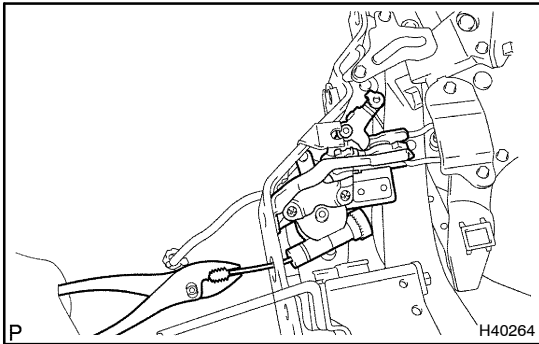
- (a) Using a screwdriver, remove the E-ring.
- (b) Using pliers, remove the clip.
- (c) Remove the luggage compartment door lock control cable.

**25. REMOVE LUGGAGE COMPARTMENT DOOR SUPPORT ASSY**

- (a) Using a screwdriver, slide the 2 clamps.
- (b) Remove the luggage compartment door support assy.

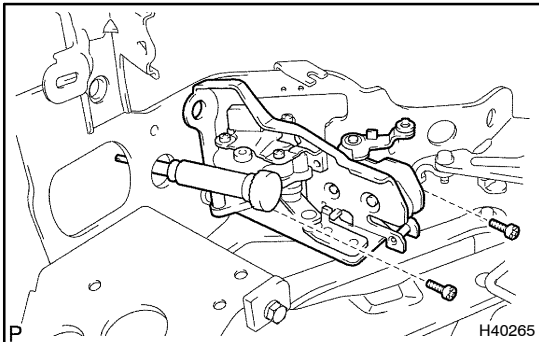
**26. REMOVE LUGGAGE CLOSER MOTOR ASSY**

- (a) Remove the connector from the bracket.
- (b) Remove the 3 bolts and motor with bracket.
- (c) Disconnect the clamp of the connector.
- (d) Remove the 4 screws and motor.

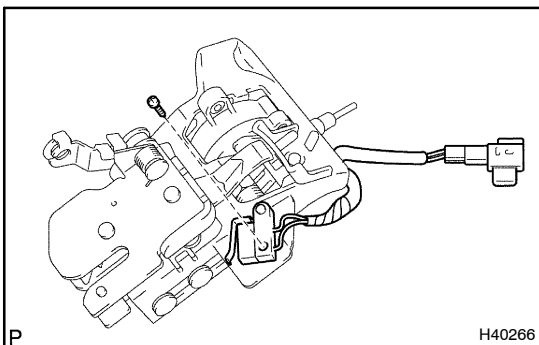


27. REMOVE LUGGAGE DOOR CLOSER ASSY

- (a) Using pliers, turn the cable and move the connecting lever until the closer fitting screw can be viewed.



- (b) Using a torx socket, remove the 2 screws.
Torx socket (T30): 09042-00010
 (c) Remove the connector from the bracket.
 (d) Remove the luggage door closer assy.

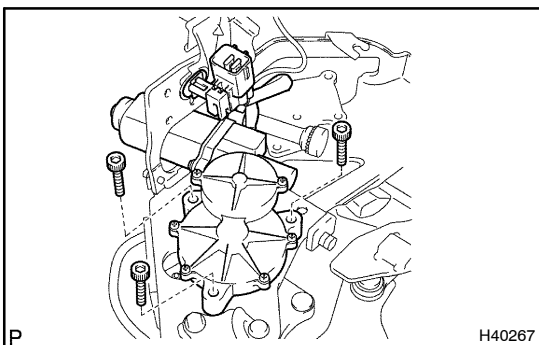


28. REMOVE LIMIT SWITCH ASSY

- (a) Remove the screw and limit switch.

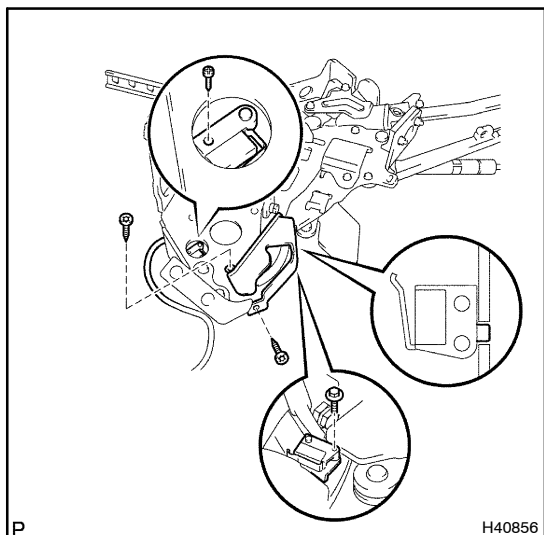
HINT:

Screw has rotating stopper.



29. REMOVE LUGGAGE DOOR DRIVE GEAR ASSY LH

- (a) Remove the connector from the bracket.
 (b) Remove the 3 bolts and slide roof drive gear RH.



30. REMOVE LIMIT SWITCH ASSY

- (a) Remove the screw and limit switch.
- (b) Using a torx socket, remove the 2 screws and gear cover.
- (c) Remove the screw and limit switch.

31. INSTALL LIMIT SWITCH ASSY

HINT:

- Be sure to engage the corner hole of gear cover edge and claw.
- Be careful not to damage the gear cover when screw tightens.

Torque: 5.0 N·m (51 kgf·cm, 44 in·lbf)

32. INSTALL LUGGAGE DOOR DRIVE GEAR ASSY LH

Torque: 24 N·m (245 kgf·cm, 18 ft·lbf)

33. INSTALL LIMIT SWITCH ASSY

34. INSTALL LUGGAGE DOOR CLOSER ASSY

Torque: 10 N·m (102 kgf·cm, 7 ft·lbf)

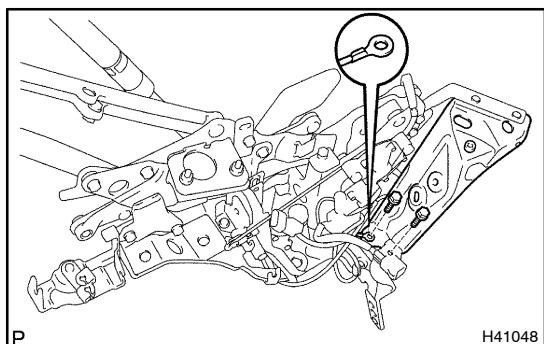
35. INSTALL LUGGAGE CLOSER MOTOR ASSY

Torque: 10 N·m (102 kgf·cm, 7 ft·lbf)

36. INSTALL LUGGAGE DOOR LOCK CONTROL CABLE SUB-ASSY

NOTICE:

Make sure that the direction of clip and installation position are correct.

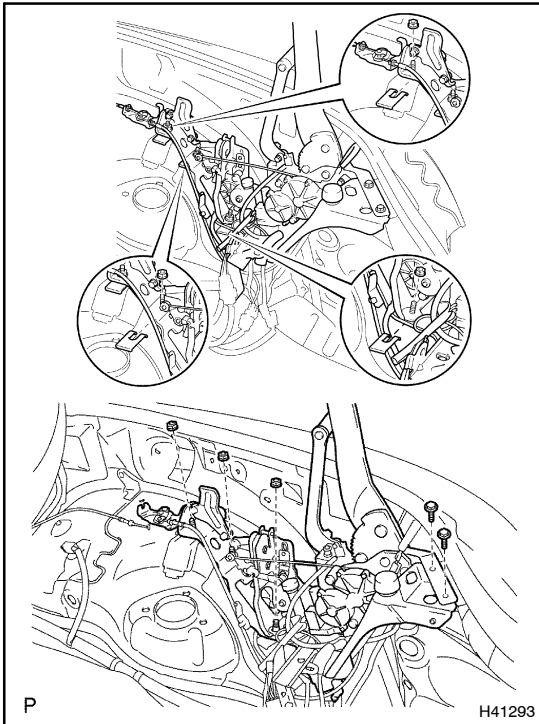


37. INSTALL BACK DOOR STOPPER BRACKET RH

- (a) Temporarily install the back door stopper bracket RH to the hinge assy with the 2 bolts.

HINT:

Tighten the back door stopper bracket and luggage door drive gear assy RH earth wirer together.



38. INSTALL LUGGAGE COMPARTMENT DOOR HINGE ASSY RH

- (a) Temporarily install the luggage compartment door hinge assy RH with the 2 bolts and 3 nuts.

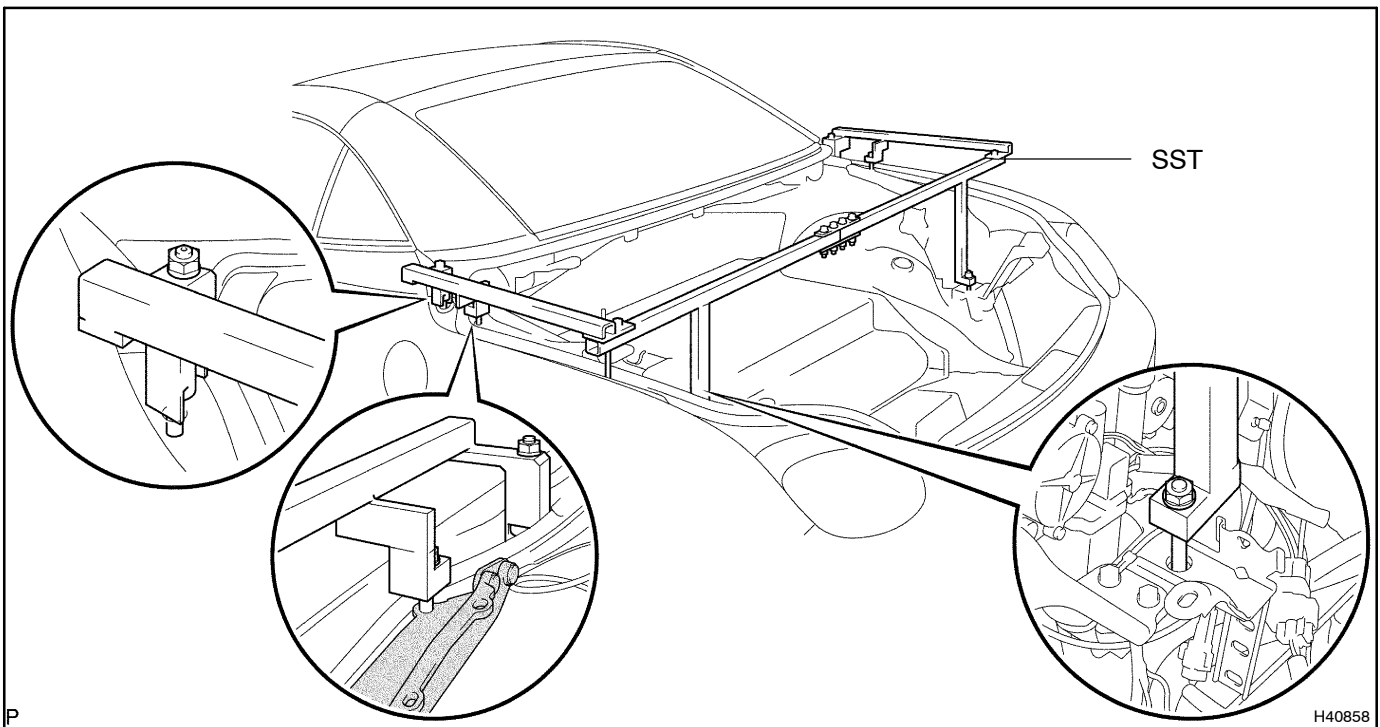
HINT:

At this time, install the shims that has been stored.

- (b) Remove the 2 hole plugs.
 (c) Use the same procedure described above to the other side.

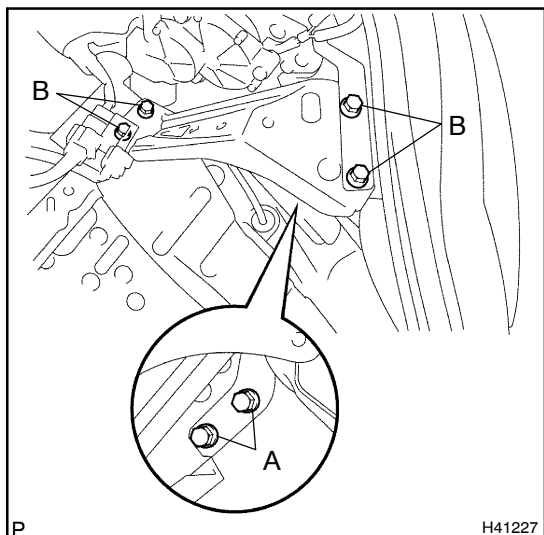
- (d) Adjust the hinge position so that the SST for positioning can be set as illustrated.

SST 09803-00010



- (e) After the hinge position is adjusted, fully tighten the 2 bolts and 3 nuts which are temporarily installed.

Torque: 22 N·m (224 kgf·cm, 16 ft·lbf)

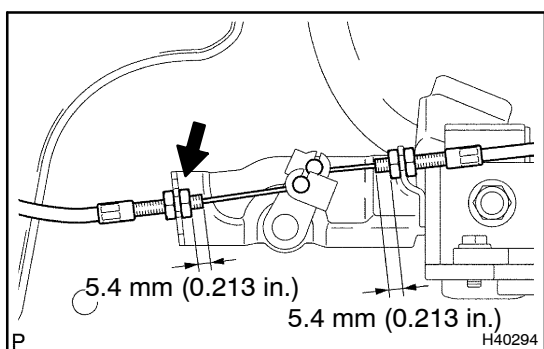


- (f) Install the back door stopper bracket RH with the 2 bolts (A) and 4 bolts (B).

Torque:

Bolt (A): 6.9 N·m (70 kgf·cm, 61 in·lbf)

Bolt (B): 5.5 N·m (56 kgf·cm, 48 in·lbf)



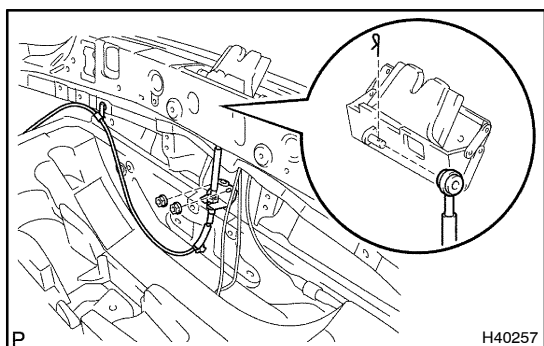
- (g) Connect the cable, then tighten the nut.

Torque: 5.0 N·m (51 kgf·cm, 44 in·lbf)

HINT:

Tighten the nut shown by the arrow with positioning the cable as shown in the illustration.

- (h) Engage the clamp of luggage compartment door hinge cable.



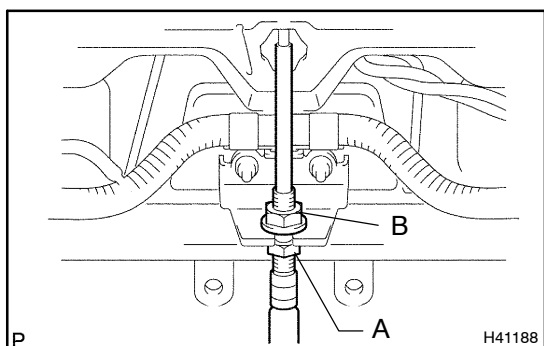
- (i) Connect the luggage compartment door hinge cable.

- (j) Install the cable bracket with the 2 nuts.

Torque: 6.9 N·m (70 kgf·cm, 61 in·lbf)

HINT:

Install the clamp securely.



- (k) Tighten the nut (A) before tightening the nut (B), then install the hinge cable to the cable bracket.

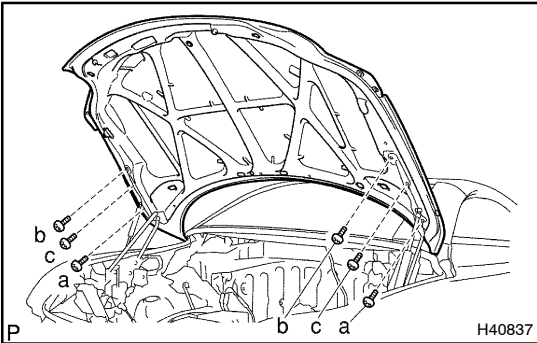
Torque:

Nut (A): 2.5 N·m (26 kgf·cm, 22 in·lbf)

Nut (B): 20 N·m (200 kgf·cm, 14 ft·lbf)

39. INSTALL SPARE WHEEL CARRIER BRACKET

40. INSTALL LUGGAGE COMPARTMENT DOOR SUPPORT ASSY



41. INSTALL LUGGAGE COMPARTMENT DOOR PANEL SUB-ASSY

- (a) Using a Torx socket, install the 6 bolts in order "a", "b" and "c".

Torx socket (T40): 09042-00020

Torque: 22 N·m (224 kgf·cm, 16 ft·lbf)

- (b) Install the clamp and connect the connector.

42. INSTALL LUGGAGE COMPARTMENT DOOR COVER

(See page 75-15)

43. ADJUST LUGGAGE COMPARTMENT DOOR PANEL SUB-ASSY

(See page 75-15)

44. INSTALL LUGGAGE COMPARTMENT TRIM COVER SIDE LH

45. INSTALL LUGGAGE COMPARTMENT TRIM COVER SIDE RH

46. INSTALL LUGGAGE COMPARTMENT TRIM COVER FRONT

47. INSTALL REAR FLOOR FINISH SIDE PLATE LH

48. INSTALL REAR FLOOR FINISH SIDE PLATE RH

49. INSTALL LUGGAGE COMPARTMENT TRIM COVER INNER LOWER

50. INSTALL TONNEAU COVER ASSY

51. INSTALL TONNEAU COVER STOPPER SUB-ASSY LH

52. INSTALL TONNEAU COVER STOPPER SUB-ASSY RH

53. INSTALL LUGGAGE COMPARTMENT TRIM COVER SUB-ASSY REAR

54. INSTALL LUGGAGE HOLD BELT STRIKER ASSY

55. INSTALL TOOL BOX COVER

56. INSTALL LUGGAGE COMPARTMENT TRIM COVER LH

57. INSTALL LUGGAGE COMPARTMENT TRIM COVER RH

58. INSTALL LUGGAGE COMPARTMENT FLOOR MAT

- 59. INSTALL SPARE DISC WHEEL
- 60. INSTALL SPARE WHEEL COVER ASSY
- 61. INSTALL REAR FLOOR FINISH PLATE