

W/HOLDER ANTENNA ASSY

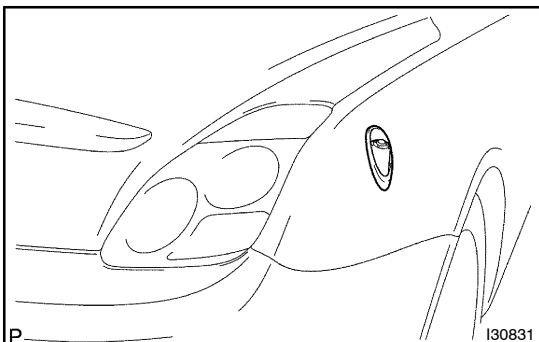
67060-01

REPLACEMENT

HINT:

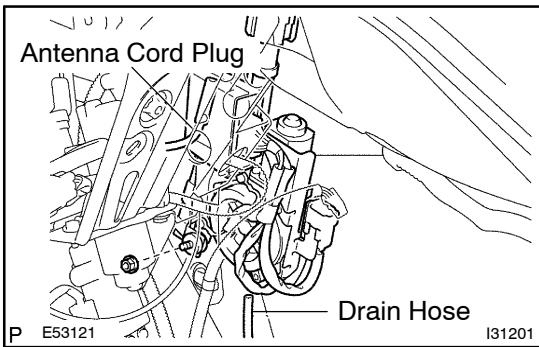
COMPONENTS: [See page 67-1](#)

1. REMOVE TONNEAU COVER STOPPER SUB-ASSY RH
([See page 75-28](#))
2. REMOVE REAR FLOOR FINISH PLATE
([See page 75-28](#))
3. REMOVE LUGGAGE COMPARTMENT FLOOR MAT
([See page 75-28](#))
4. REMOVE LUGGAGE COMPARTMENT TRIM COVER LH
([See page 75-28](#))
5. REMOVE LUGGAGE COMPARTMENT TRIM COVER RH
([See page 75-28](#))
6. REMOVE SPARE WHEEL COVER ASSY
7. REMOVE SPARE DISC WHEEL
8. REMOVE TOOL BOX COVER
([See page 75-28](#))
9. REMOVE LUGGAGE HOLD BELT STRIKER ASSY
([See page 75-28](#))
10. REMOVE LUGGAGE COMPARTMENT TRIM COVER SUB-ASSY REAR
([See page 75-28](#))
11. REMOVE TONNEAU COVER ASSY
([See page 75-28](#))
12. REMOVE LUGGAGE COMPARTMENT TRIM COVER INNER LOWER
([See page 75-28](#))
13. REMOVE REAR FLOOR FINISH SIDE PLATE RH
([See page 75-28](#))
14. REMOVE LUGGAGE COMPARTMENT TRIM COVER FRONT
([See page 75-28](#))
15. REMOVE LUGGAGE COMPARTMENT LAMP ASSY NO.1
([See page 75-28](#))
16. REMOVE LUGGAGE COMPARTMENT TRIM COVER SIDE RH
([See page 75-28](#))

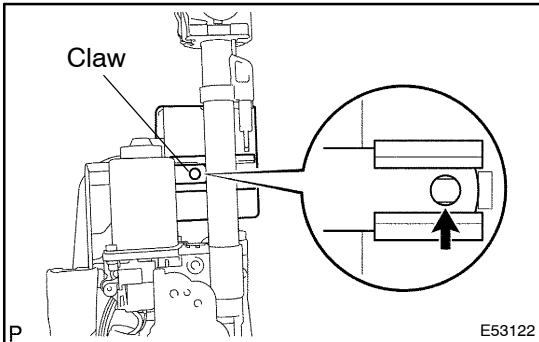


17. REMOVE W/HOLDER ANTENNA ASSY

- (a) Remove the antenna nut and antenna ornament.



- (b) Disconnect the connector and antenna cord plug from the w/ holder antenna assy.
- (c) Disconnect the drain hose.
- (d) Remove the nut and w/ holder antenna assy.



18. REMOVE MOTOR ANTENNA CONTROL RELAY

- (a) Release the claw, remove the motor antenna control relay from the w/ holder antenna assy.