



**Technical Service  
Information Bulletin**

April 27, 2001

Title:

**SPARE TIRE STORAGE KIT  
INSTALLATION**

Models:

'02 SC 430

PG014-01

PRODUCT GENERAL INFORMATION

**Introduction** This service bulletin identifies the procedure to install a spare tire in a vehicle that is originally equipped with run-flat style tires.

- Applicable Vehicles**
- 2002 model year **SC 430** vehicles.

**Parts  
Information**

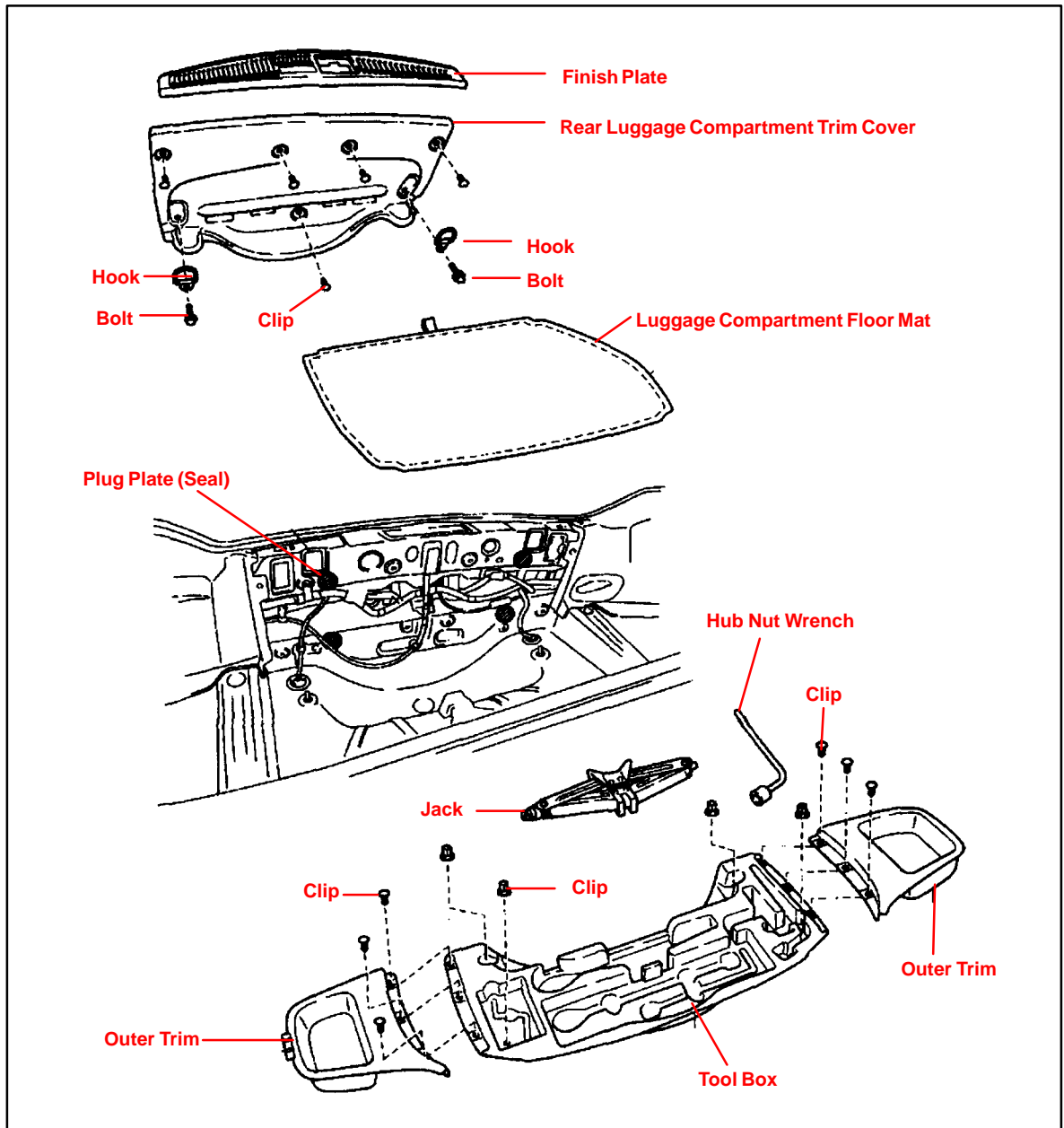
QUANTITY	PART NUMBER	PART NAME
1	42611-24430	Wheel, Disc
1	N/A	T145/70R17 Tire, Tubeless (Bridgestone)
1	90942-05009	Valve
1	51900-91705	Carrier Assy, Spare Wheel
1	51913-24020	Plate, Spare Wheel Mounting
1	51938-24010	Bracket, Spare Wheel Carrier Mounting
4	90105-06158	Bolt
2	90541-09101	Cushion
2	90541-09080	Cushion
1	64711-24170-BO	Mat, Luggage Compartment Trim, Rear
1	64716-24080-BO	Cover, Luggage Compartment Trim, Rear
1	64771-24040-BO	Cover, Spare Wheel
1	42668-14060	Label, Compact Spare Tire Caution

**Warranty  
Information**

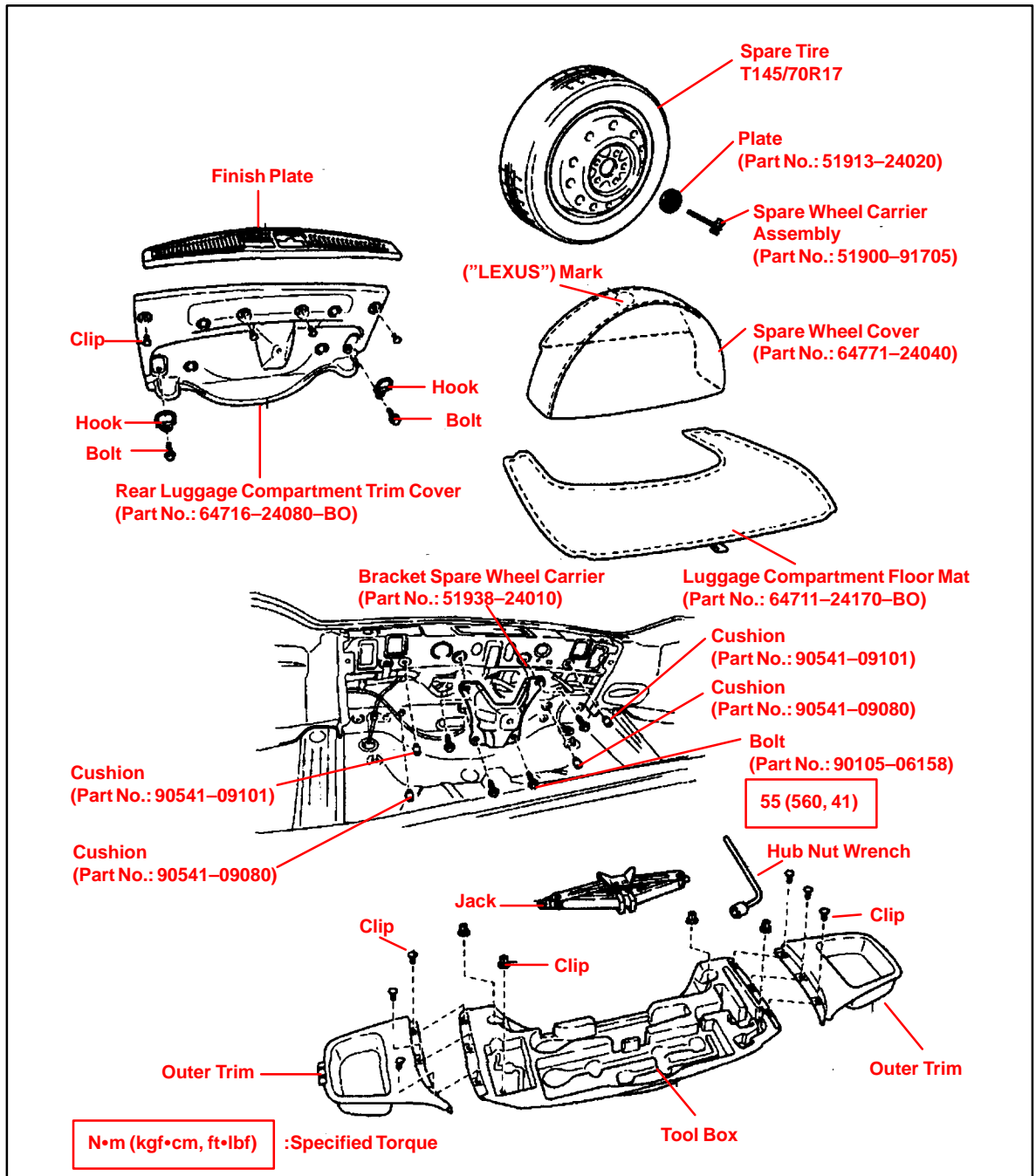
OP CODE	DESCRIPTION	TIME	OPN	T1	T2
N/A	Not Applicable to Warranty	-	-	-	-



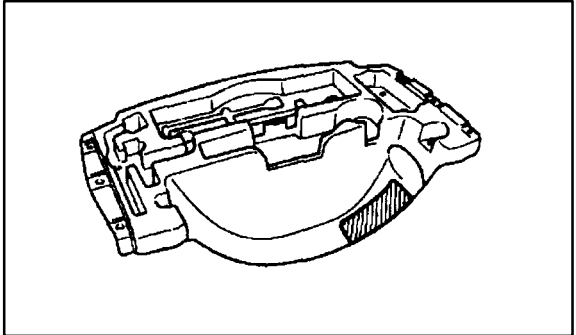
For Removal



For  
Installation



**Installation  
Procedure**

1. Remove the luggage compartment floor mat.
  2. Remove the 6 clips from the left and right outer trim.
  3. Remove the jack and hub nut wrench.
  4. Remove the 4 clips and the tool box.
  5. Remove the 2 bolts and the 2 hooks.
  6. Remove the finish plate.
  7. Remove the 5 clips and the rear luggage compartment trim cover.
  8. Remove the 4 plug plates seals
  9. Assemble the spare tire.
    - A. Install a valve (90942–05009) to a disc wheel (42611–24430)
    - B. Install the tire to the disc wheel.
    - C. Inflate the spare tire to 60 PSI (420 kPa; 4.2 kgf/cm<sup>2</sup>)
  10. Install 2 cushions (90541–09101) to the holes located on the upper side of the panel.
  11. Install 2 cushions (90541–09080) to the holes located on the lower side of the panel.
  12. Install the mounting bracket (51938–24010) with 4 bolts (90105–06158).  
Torque 55 N•m (560 kgf–cm; 41 ft–lbf).
  13. Install a rear luggage compartment trim cover (64716–24080) with the 4 clips.
  14. Install the finish plate.
  15. Install the 2 hooks with the 2 bolts.
  16. Affix the spare tire caution label (42668–14060) to the tool box as indicated in the illustration.
- 
17. Install the tool box with the 4 clips.
  18. Install the jack and hub nut wrench.
  19. Install the left and right outer trims with the 6 clips.
  20. Install the spare tire with a new spare wheel mounting plate (51913–24020) and spare wheel carrier assembly (51900–91705).
  21. Install the luggage compartment floor mat (64711–24170) for the vehicle equipped with the spare tire.
  22. Install the spare wheel cover (64771–24040) with the LEXUS mark towards the rear of the vehicle.