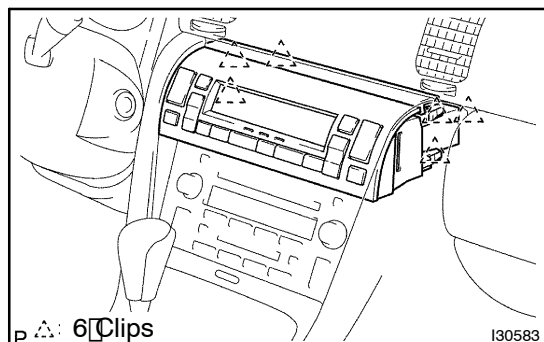


OVERHAUL

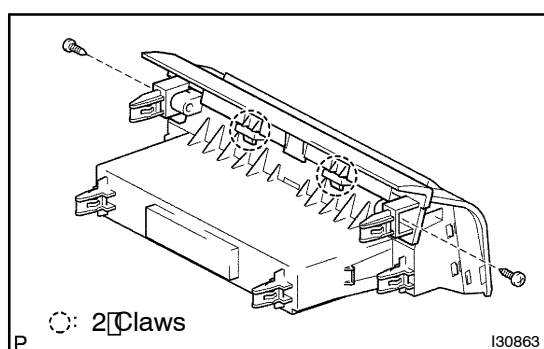
HINT:

COMPONENTS: [See page 55-12](#)



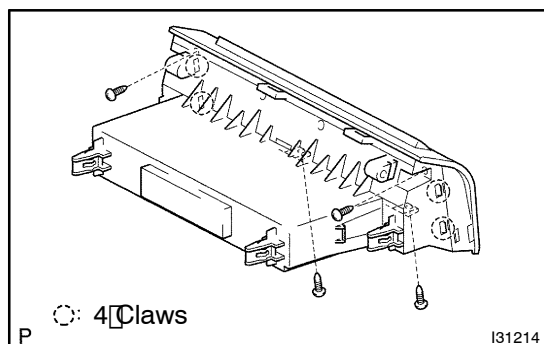
1. REMOVE AIR CONDITIONER CONTROL ASSY

- (a) Release the 6 clips, pull out the air conditioner control assy.
- (b) Disconnect the connectors.



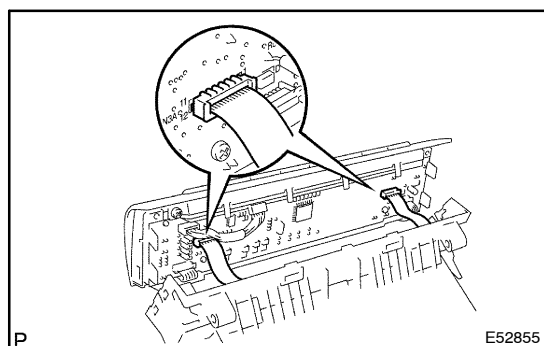
2. REMOVE CONSOLE UPPER PANEL GARNISH FRONT

- (a) Remove the 2 screws.
- (b) Release the 2 claws, remove the console upper panel garnish front.

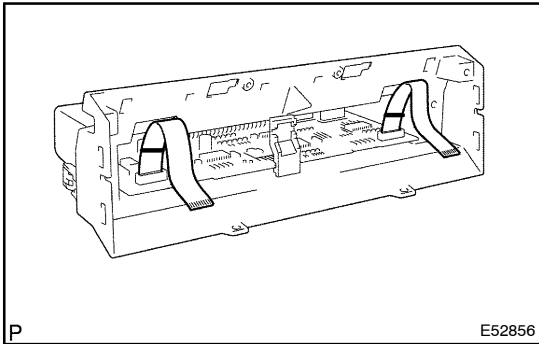


3. REMOVE HEATER CONTROL HOUSING

- (a) Remove the 4 screws.
- (b) Release the 4 claws, disconnect the heater control housing.

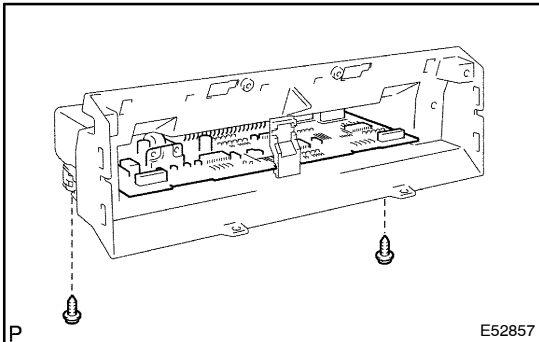


- (c) Disconnect the 2 connectors of cooler wire No. 1, remove the heater control housing.

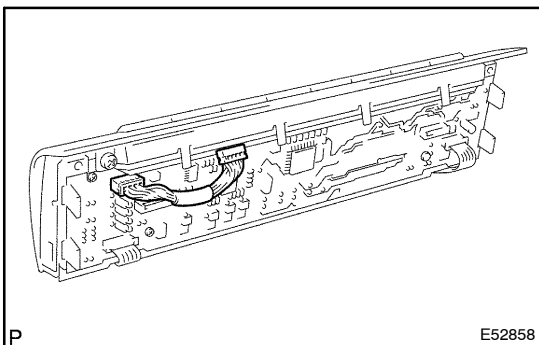


4. REMOVE AIRCONDITIONER AMPLIFIER ASSY

(a) Remove the 2 No. 1 cooler wires.

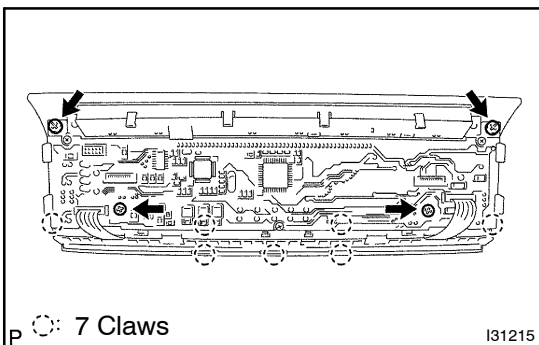


(b) Remove the 2 screws, cover plate and air conditioner amplifier assy.



5. REMOVE COOLER WIRE NO.1(W/ LEXUS NAVIGATION SYSTEM)

(a) Remove the cooler wire No. 1 from the multi-display junction block.



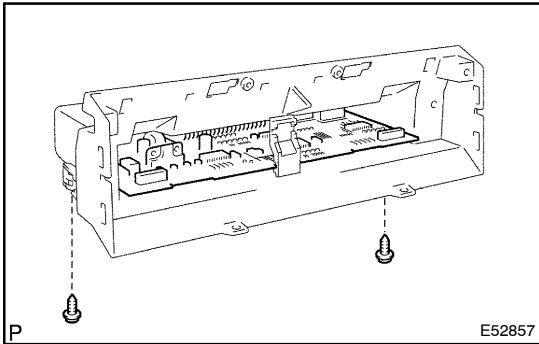
6. REMOVE MULTI-DISPLAY JUNCTION BLOCK(W/ LEXUS NAVIGATION SYSTEM)

(a) Remove the 4 screws.

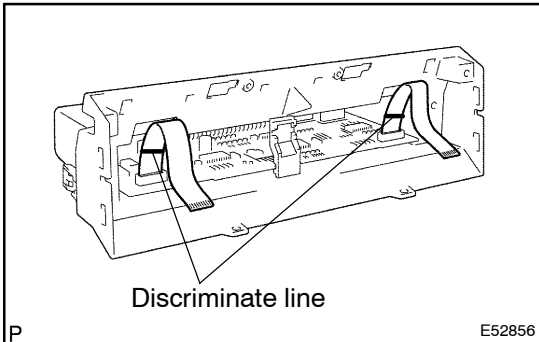
(b) Release the 7 claws, remove the multi-display junction block and control switch assy.

7. REMOVE HEATER CONTROL KNOB

8. REMOVE HEATER CONTROL BASE SUB-ASSY

**9. INSTALL AIRCONDITIONER AMPLIFIER ASSY**

- (a) Install the 2 screws, cover plate and air conditioner amplifier assy.



- (b) Install the 2 No. 1 cooler wires to the air conditioner amplifier assy as shown in the illustration.