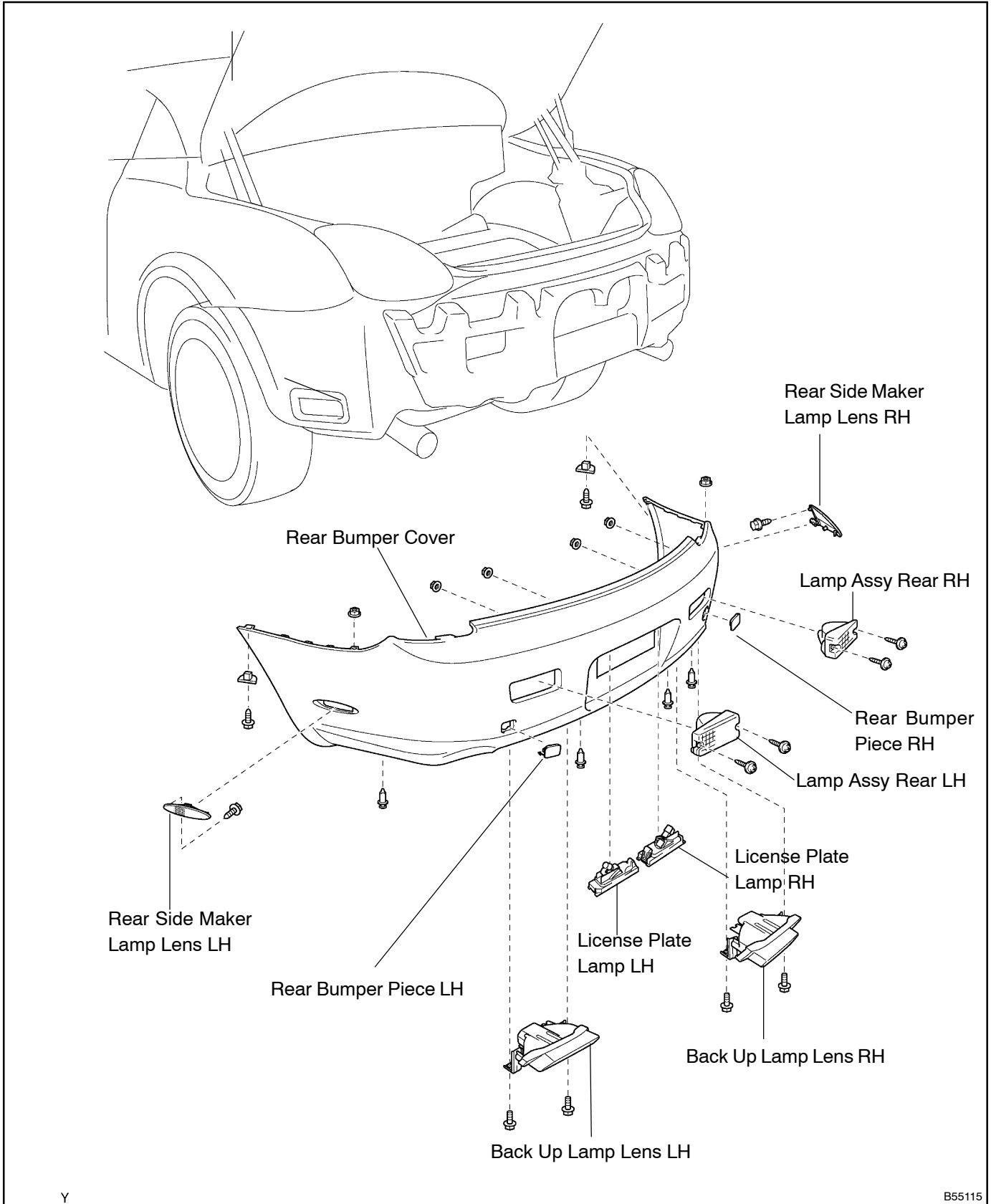
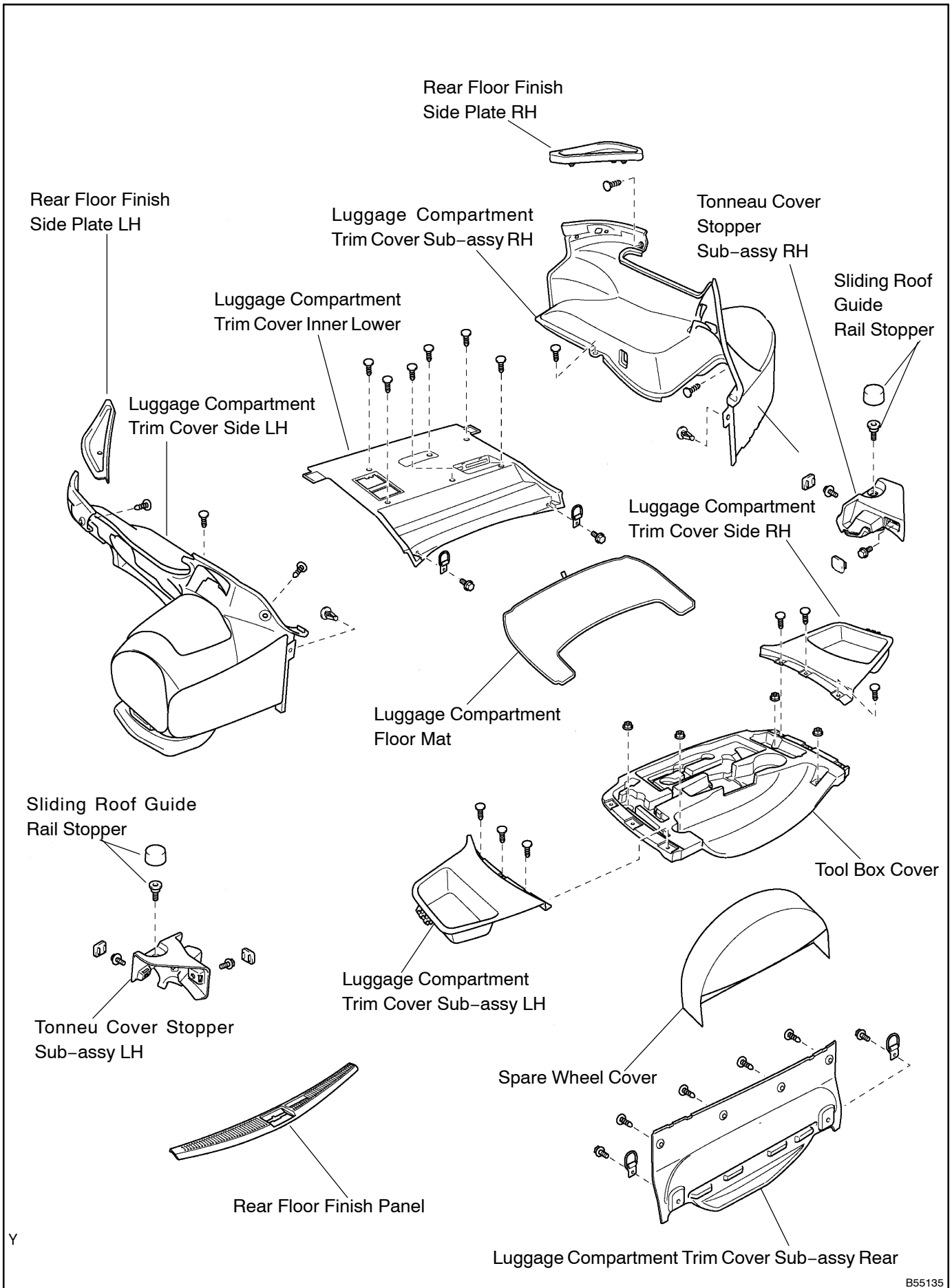


REAR BUMPER COVER COMPONENTS

76085-02





Y

B55135