



**Technical Service
Information Bulletin**

April 27, 2004

Title:
INNER REAR VIEW MIRROR VIBRATION

Models:
'02 - '04 SC 430

NVH
NV003-04

Introduction Some 2002 - 2004 model year SC 430 vehicles may experience a loose or vibrating inner rear view mirror. Attempts to service or reinstall the rear view mirror will deform the setting spring. A service part is now available for the inner rear view mirror setting spring and mounting screw.

- Applicable Vehicles**
- 2002 - 2004 model year **SC 430** vehicles produced **BEFORE** the Production Change Effective VIN shown below.

**Production
Change
Information**

MODEL	PRODUCTION CHANGE EFFECTIVE VIN
SC 430	JTHFN48Y*4 0053452

**Parts
Information**

PREVIOUS PART NUMBER	CURRENT PART NUMBER	PART NAME	QTY
N/A	87806-24020	Spring, Inner Rear View Mirror and Setting Screw	1

**Warranty
Information**

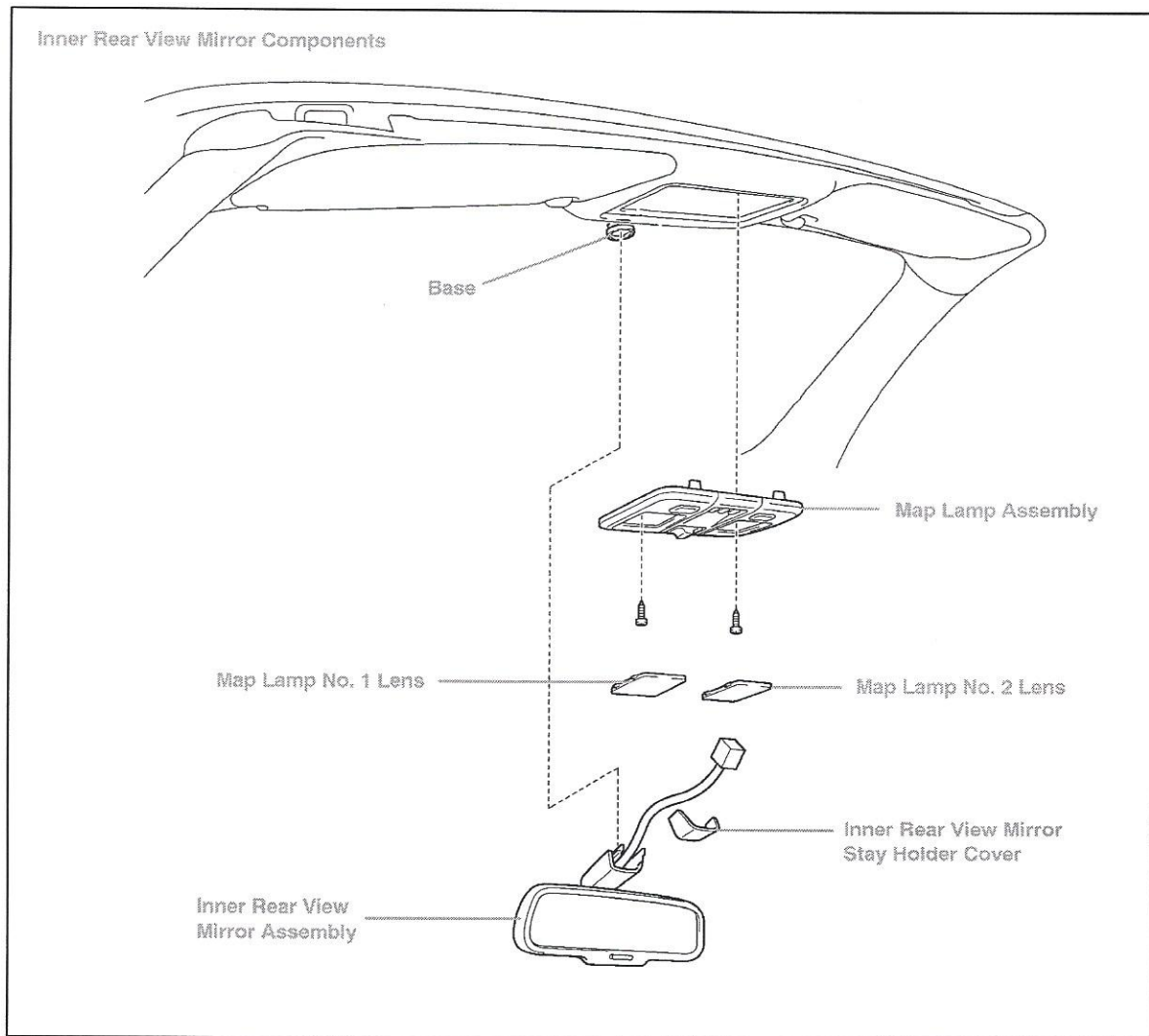
OP CODE	DESCRIPTION	TIME	OFFP	T1	T2
NV4001	Replace Inner Rear View Mirror Setting Spring	0.4	87810-24150-A0	62	13

Applicable Warranty*:
This repair is covered under the Lexus Comprehensive Warranty. This warranty is in effect for 48 months or 50,000 miles, whichever occurs first, from the vehicle's in-service date.

* Warranty application is limited to correction of a problem based upon a customer's specific complaint.



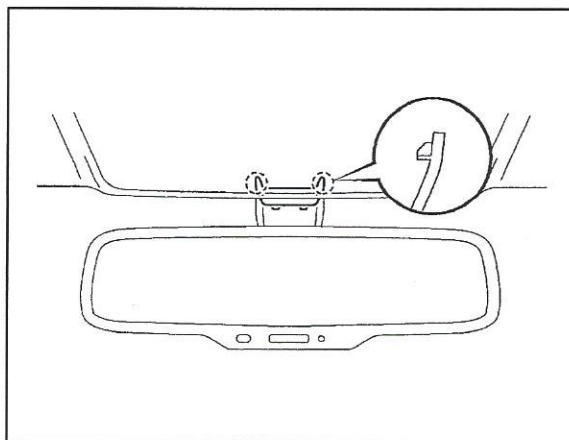
Components



Repair Procedure

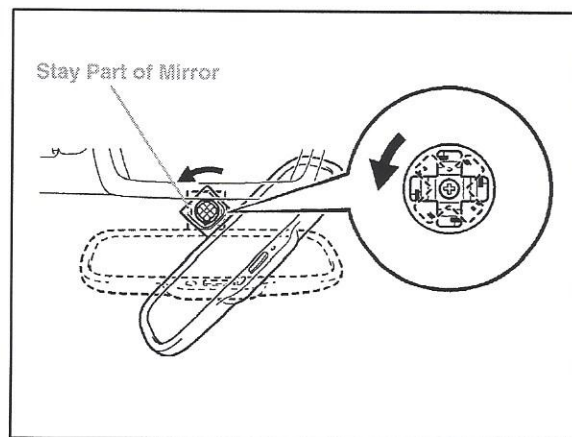
1. Remove Inner Rear View Mirror Stay Holder Cover.
 - A. Using a screwdriver, remove the inner rear view mirror stay holder cover.

HINT:
Tape the screwdriver tip before use.



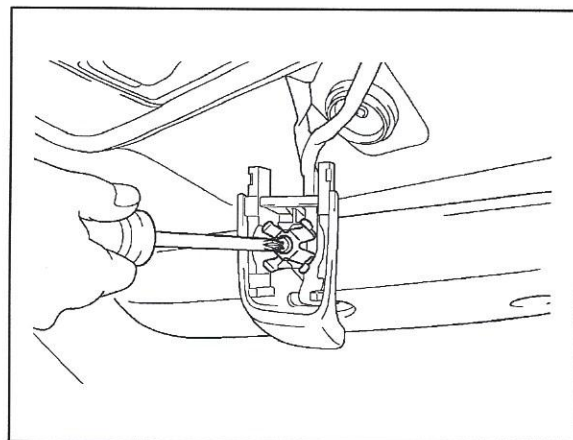
Repair Procedure
(Continued)

2. Remove Inner Rear View Mirror Assembly.
 - A. Remove the mirror assembly by turning the stay part of the mirror counterclockwise.



3. Replace Inner Rear View Mirror Setting Spring.
 - A. Remove the screw, and then remove the inner rear view mirror setting spring.
 - B. Install a new inner rear view mirror setting spring.
 - C. Tighten with the new screw included with the spring.

Torque: 1.8 to 2.3 N•m
(18.4 to 23.5 kgf•cm,
15.9 to 20.4 in.•lbf)



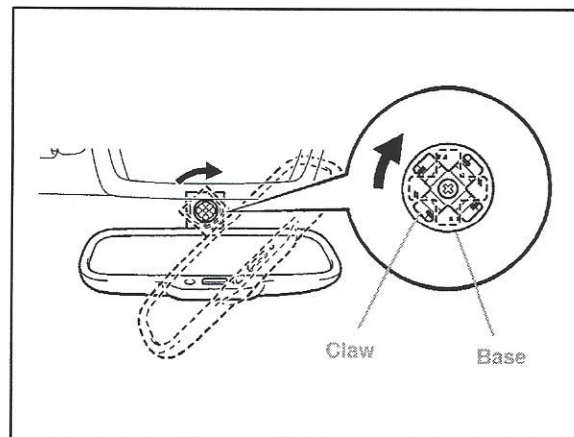
NOTE:

Check that the screw is not loose, and that the spring does not rattle while touching by hand.

4. Install Inner Rear View Mirror Assembly.
 - A. Align the claw of the stay part of the mirror with the cut part of the base.
 - B. Turn the stay part of the mirror clockwise so that the stay comes to the original position, and then adjust the mirror assembly.

NOTE:

Do not reuse setting springs. Use a new setting spring for each reinstallation.



5. Install Inner Rear View Mirror Stay Holder Cover.