

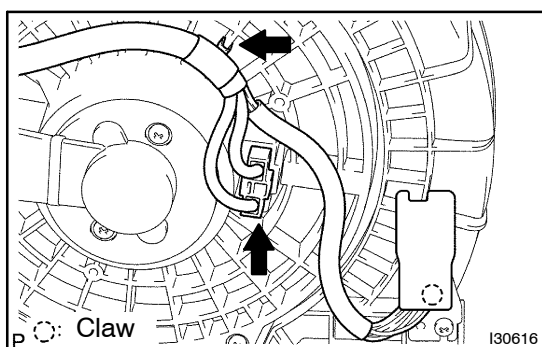
OVERHAUL

HINT:

COMPONENTS: [See page 55-33](#)

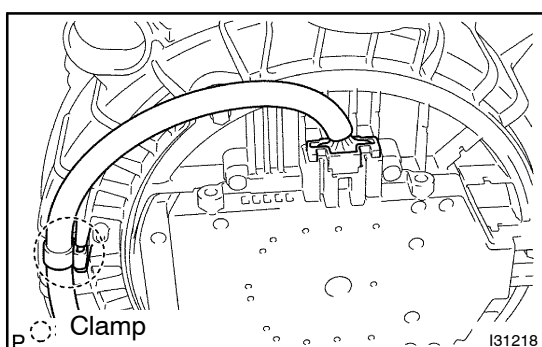
1. SHIP MODE SETTING([See page 67-6](#))
2. SEPARATE BATTERY NEGATIVE TERMINAL([See page 60-1](#))
3. INSPECT CENTER FRONT WHEEL
4. REMOVE STEERING WHEEL COVER LOWER NO.2
([See page 50-6](#))
5. REMOVE SWITCH & VOLUME CASE
([See page 82-2](#))
6. REMOVE STEERING PAD SWITCH MODULATOR
([See page 82-2](#))
7. REMOVE HORN BUTTON ASSY
([See page 60-16](#))
8. REMOVE STEERING WHEEL ASSY
([See page 50-6](#))
SST 09950-50013 (09951-05010, 09952-05010, 09953-05020, 09954-05021)
9. REMOVE DOOR SCUFF PLATE ASSY RH
([See page 71-15](#))
10. REMOVE DOOR SCUFF PLATE ASSY LH
([See page 71-15](#))
11. REMOVE FRONT DOOR OPENING TRIM COVER RH
([See page 71-15](#))
12. REMOVE FRONT DOOR OPENING TRIM COVER LH
([See page 71-15](#))
13. REMOVE INSTRUMENT PANEL SAFETY PAD SUB-ASSY NO.1
([See page 71-15](#))
14. REMOVE INSTRUMENT CLUSTER FINISH PANEL SUB-ASSY
([See page 71-15](#))
15. REMOVE STEERING COLUMN COVER
([See page 50-6](#))
16. REMOVE TURN SIGNAL SWITCH ASSY
([See page 65-26](#))
17. REMOVE COMBINATION METER ASSY
([See page 71-15](#))
18. REMOVE CONSOLE UPPER PANEL GARNISH REAR
([See page 71-15](#))
19. REMOVE CONSOLE PANEL SUB-ASSY UPPER
([See page 71-15](#))
20. REMOVE AIR CONDITIONER CONTROL ASSY([See page 55-13](#))
21. REMOVE INSTRUMENT CLUSTER FINISH PANEL SUB-ASSY LOWER CENTER
([See page 71-15](#))
22. REMOVE SHIP MODE CONFIRMATION([See page 67-6](#))
23. REMOVE INSTRUMENT PANEL SAFETY PAD GARNISH SUB-ASSY(W/O LEXUS NAVIGATION SYSTEM)
([See page 71-15](#))
24. REMOVE INSTRUMENT PANEL UNDER COVER SUB-ASSY NO.2
([See page 71-15](#))

25. REMOVE GLOVE COMPARTMENT DOOR ASSY
(See page 71-15)
26. REMOVE CONSOLE BOX CARPET
(See page 71-15)
27. REMOVE BOX PANEL NO.3
(See page 71-15)
28. REMOVE CONSOLE BOX ASSY(See page 71-15)
29. REMOVE INSTRUMENT PANEL BRACE SUB-ASSY NO.2
(See page 71-15)
30. REMOVE INSTRUMENT PANEL BRACE SUB-ASSY NO.1
(See page 71-15)
31. REMOVE FRONT PILLAR GARNISH RH
(See page 71-15)
32. REMOVE FRONT PILLAR GARNISH LH
(See page 71-15)
33. REMOVE INSTRUMENT SIDE PANEL RH
(See page 71-15)
34. REMOVE INSTRUMENT PANEL SAFETY PAD SUB-ASSY
(See page 71-15)

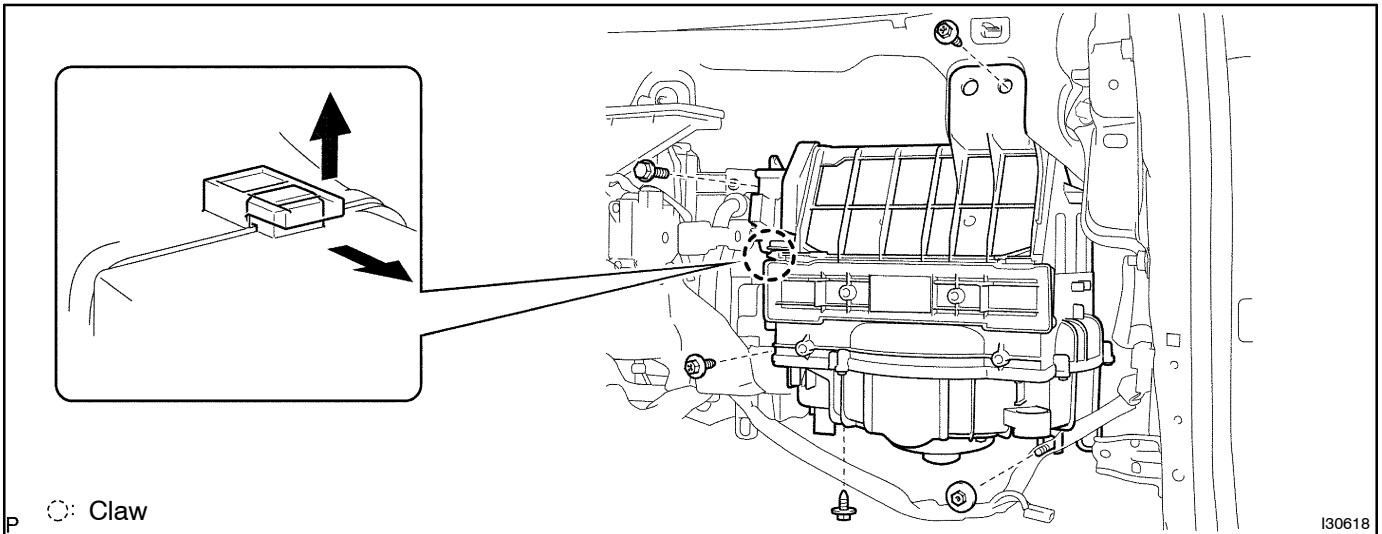


35. REMOVE BLOWER ASSY

- (a) LHD:
Disconnect the connector and clamp of the blower assy.
- (b) LHD:
Release the claw, disconnect the connector from the bracket.
- (c) RHD:
Disconnect the connector and clamp.

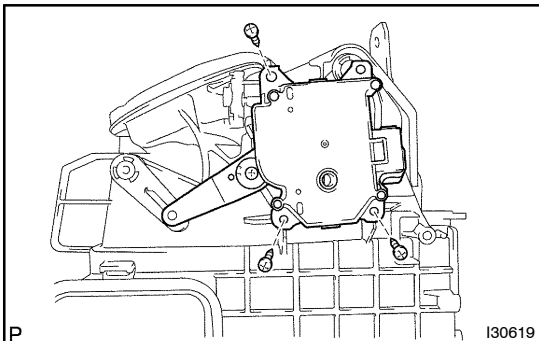


- (d) Remove the 3 screws, bolt and nut.
- (e) Release the claw, remove the blower assy.



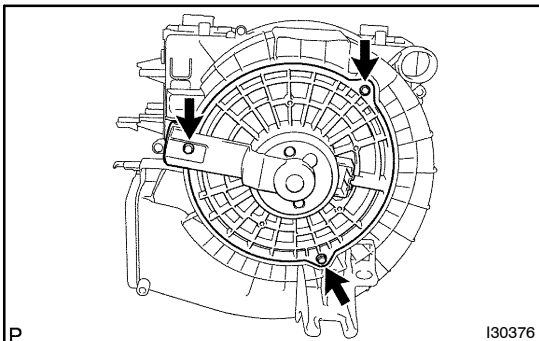
36. REMOVE AIR REFINER ELEMENT

- (a) Remove the air filter cover, air refiner element and flame.



37. REMOVE RECIRCULATION DAMPER SERVO SUB-ASSY

- (a) Remove the 3 screws and recirculation damper servo sub-assy.



38. REMOVE BLOWER W/FAN MOTOR SUB-ASSY

- (a) Remove the 3 screws and blower w/fan motor sub-assy.

39. INSTALL INSTRUMENT PANEL SAFETY PAD SUB-ASSY

(See page 71-15)

40. INSTALL INSTRUMENT PANEL BRACE SUB-ASSY NO.2

(See page 71-15)

41. INSTALL INSTRUMENT PANEL BRACE SUB-ASSY NO.1
(See page 71-15)
42. □ INSTALL CONSOLE BOX ASSY(See page 71-15)
43. CENTER SPIRAL CABLE(See page 60-26)
44. INSTALL STEERING WHEEL ASSY
(See page 50-6)
45. INSPECT STEERING WHEEL CENTER POINT(See page 50-6)
46. INSPECT HORN BUTTON ASSY
(See page 60-16)
47. INSTALL HORN BUTTON ASSY
(See page 60-16)
48. INSPECT SRS WARNING LIGHT