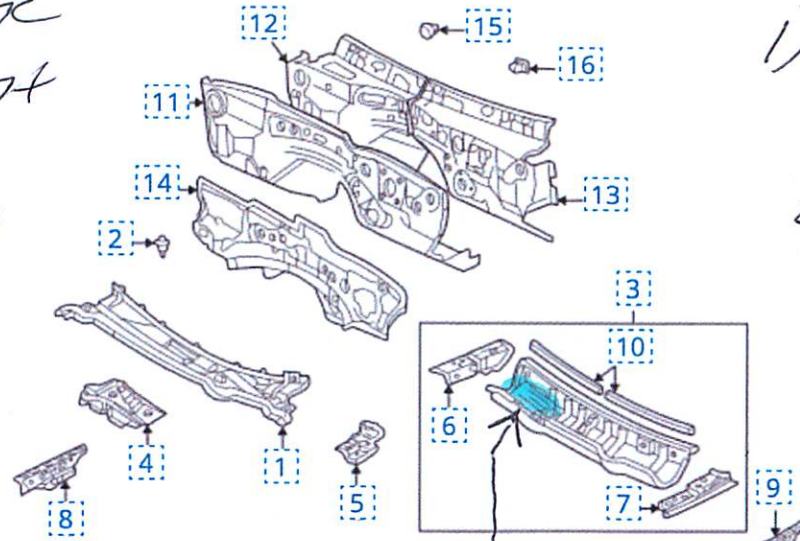

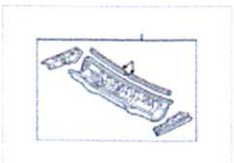


5) DAVE MANAGOK  
REVIEW WITH  
ORIGINAL  
TECHNICIAN



\* FRESH AIR VENT (SEAM GLUED) PIN HOLE?

- 1) REMOTE ALARM STOPS WORKING WHEN CAR IS COLD OR WASHED
- 2) HAD WINDSHIELD COMPANY REVIEW THEIR INSTALLATION (OK)  
\* THEY BELIEVE WATER MAY BE COMING IN \*

No.	Part # / Description	Price
1	 <b>Cowl Grille</b> 55708-24010	\$378.83 <b>\$273.30</b> <a href="#">ADD TO CART</a>
2	 <b>Cowl Grille Clip</b> 90467-A0016-C0 Cowl Grille Clip, Left	\$1.44 <b>\$1.12</b> <a href="#">ADD TO CART</a>
2	 <b>Cowl Grille Clip</b> 90467-A0016-C0 Cowl Grille Clip, Right	\$1.44 <b>\$1.12</b> <a href="#">ADD TO CART</a>
3	 <b>Cowl Top Panel</b> 55700-24100	\$878.92 <b>\$623.51</b> <a href="#">ADD TO CART</a>

- 3) WHEN CAR WARMES UP (30-MINUTES) ALARM THEN WORKS AGAIN UNTILL CAR GETS COLD STOPS WORKING

- 4) CLEAN/REPLACE CONNECTOR PER LAST VISIT.